

Nov. 2008



# SERVICE MANUAL ADDENDUM

---

## IC-7200

---

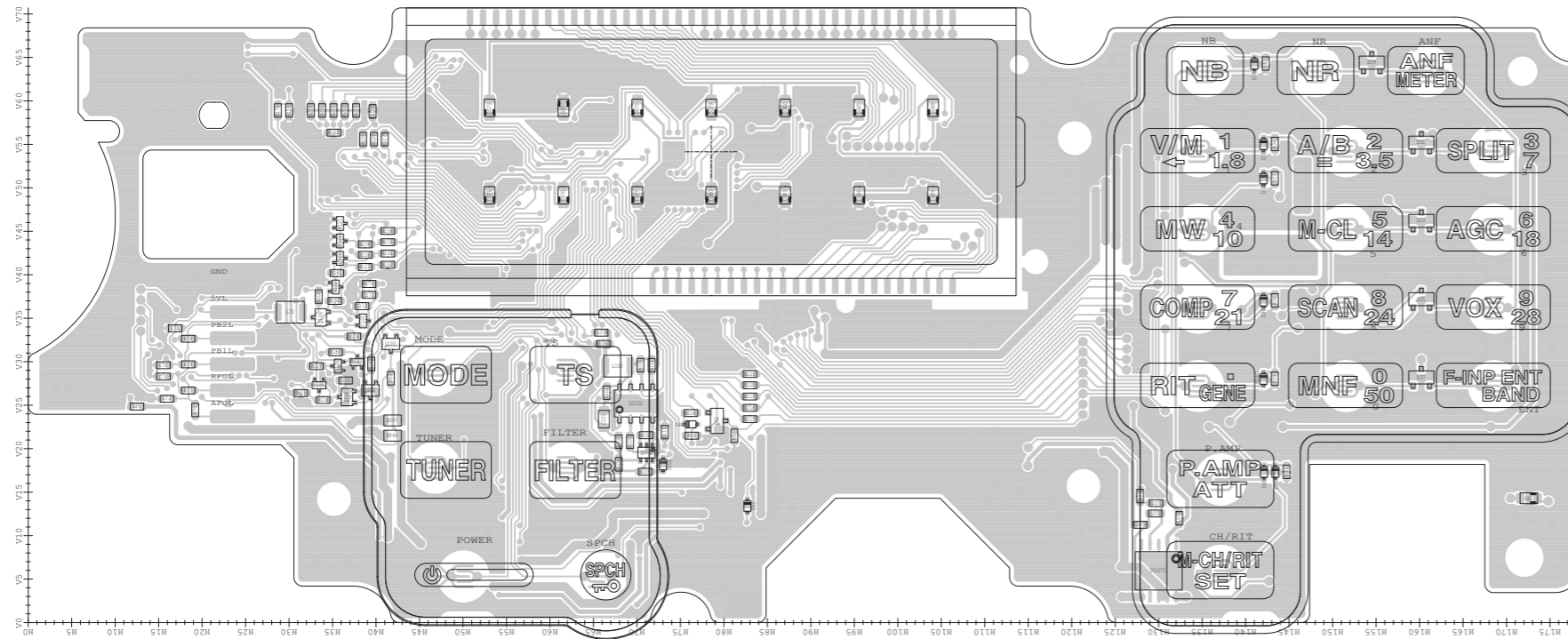
### CONTENTS

BOARD LAYOUTS (LOGIC AND MAIN UNITS) . . . . 1

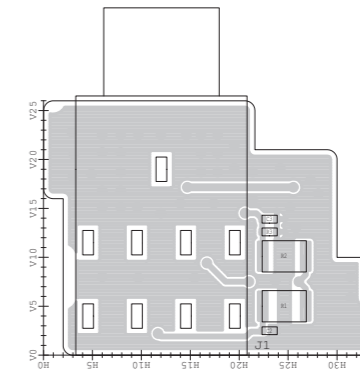
# BOARD LAYOUTS

The combination of this side and the bottom side shows the board layout in the same configuration as the actual P.C.Board.

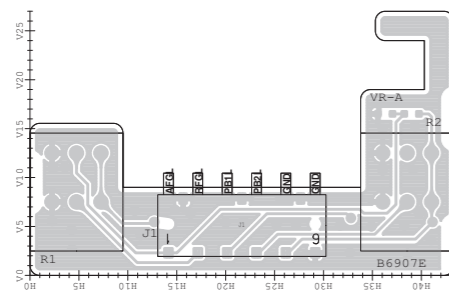
• LOGIC UNIT (TOP VIEW)



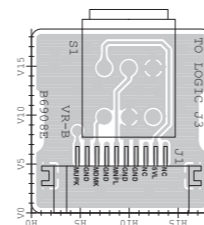
• PHONE UNIT (TOP VIEW)



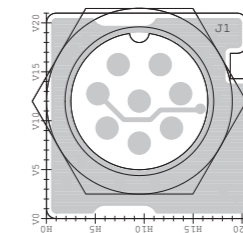
• VR-A UNIT (TOP VIEW)



• VR-B UNIT (TOP VIEW)

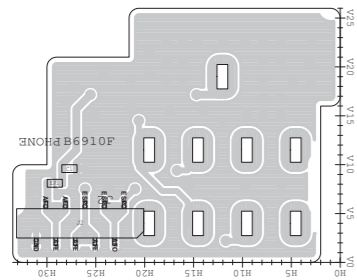


• MIC UNIT (TOP VIEW)

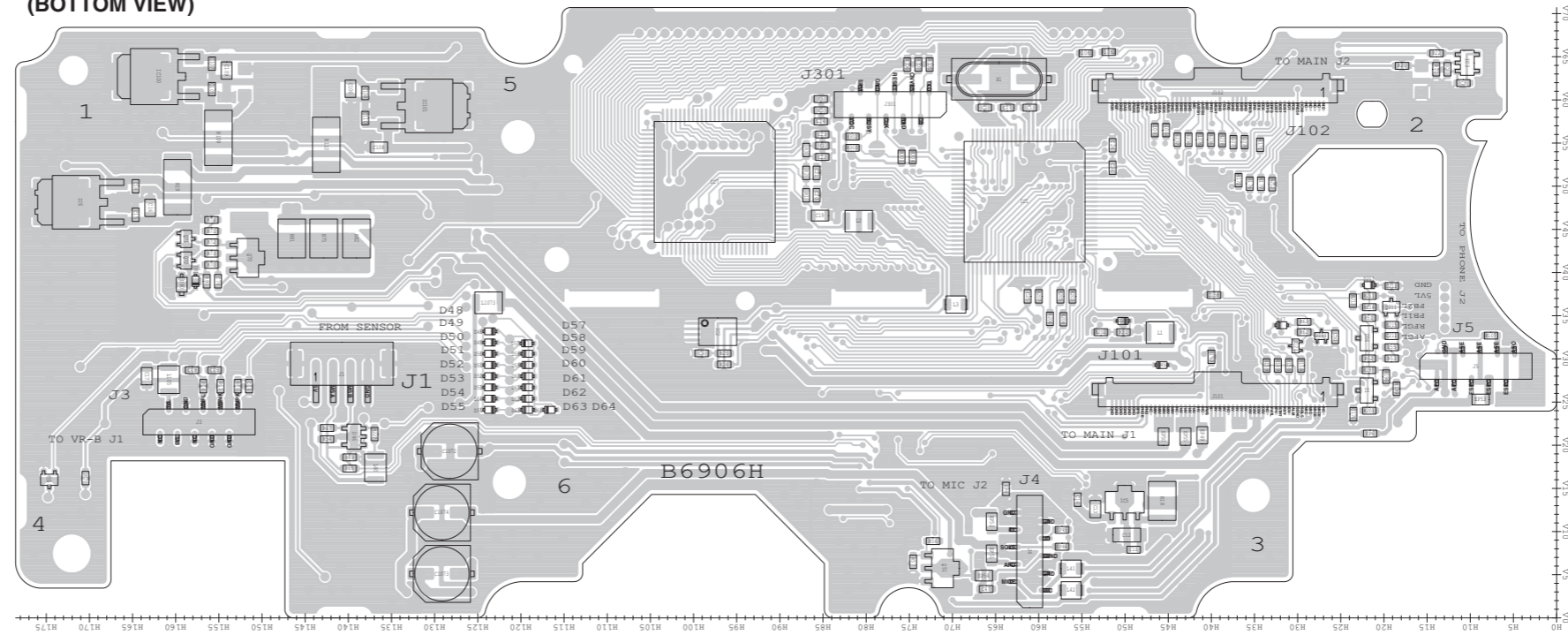


The combination of this side and the bottom side shows the board layout in the same configuration as the actual P.C.Board.

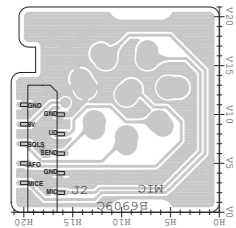
• PHONE UNIT (BOTTOM VIEW)



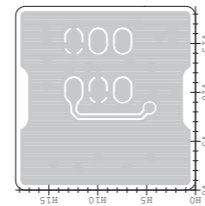
• LOGIC UNIT (BOTTOM VIEW)



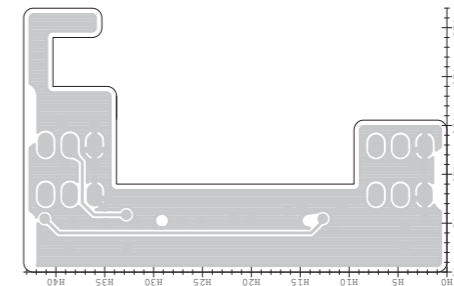
• MIC UNIT (BOTTOM VIEW)



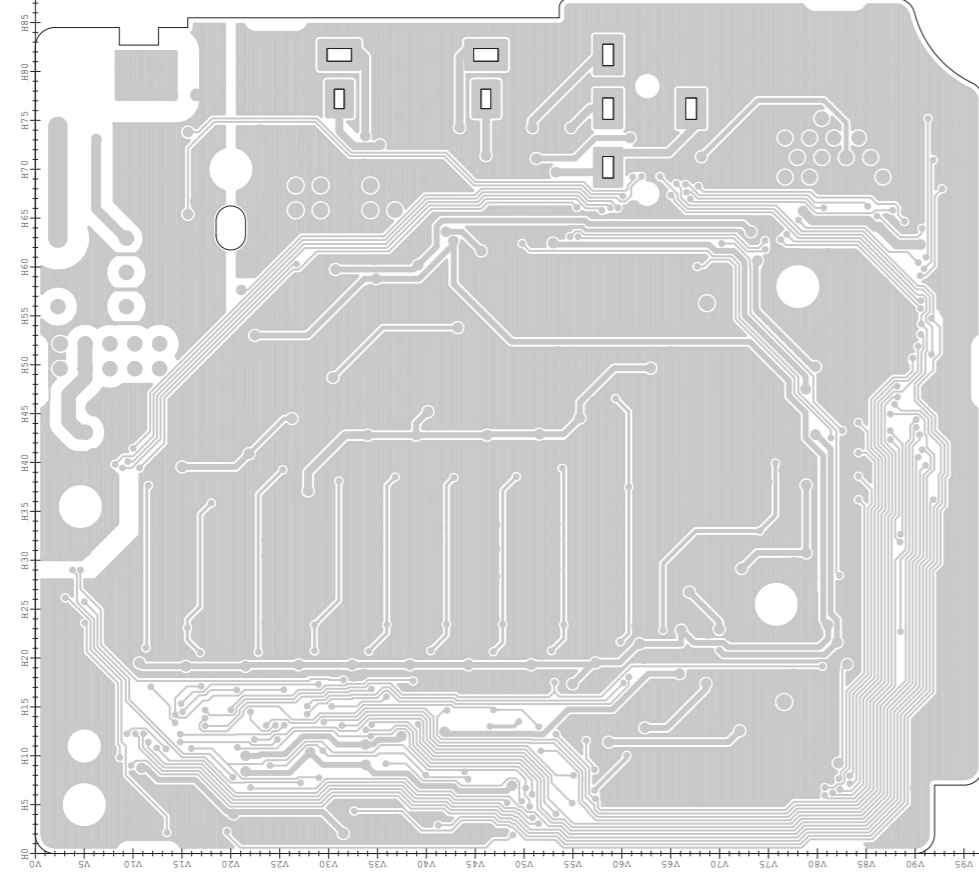
• VR-B UNIT (BOTTOM VIEW)



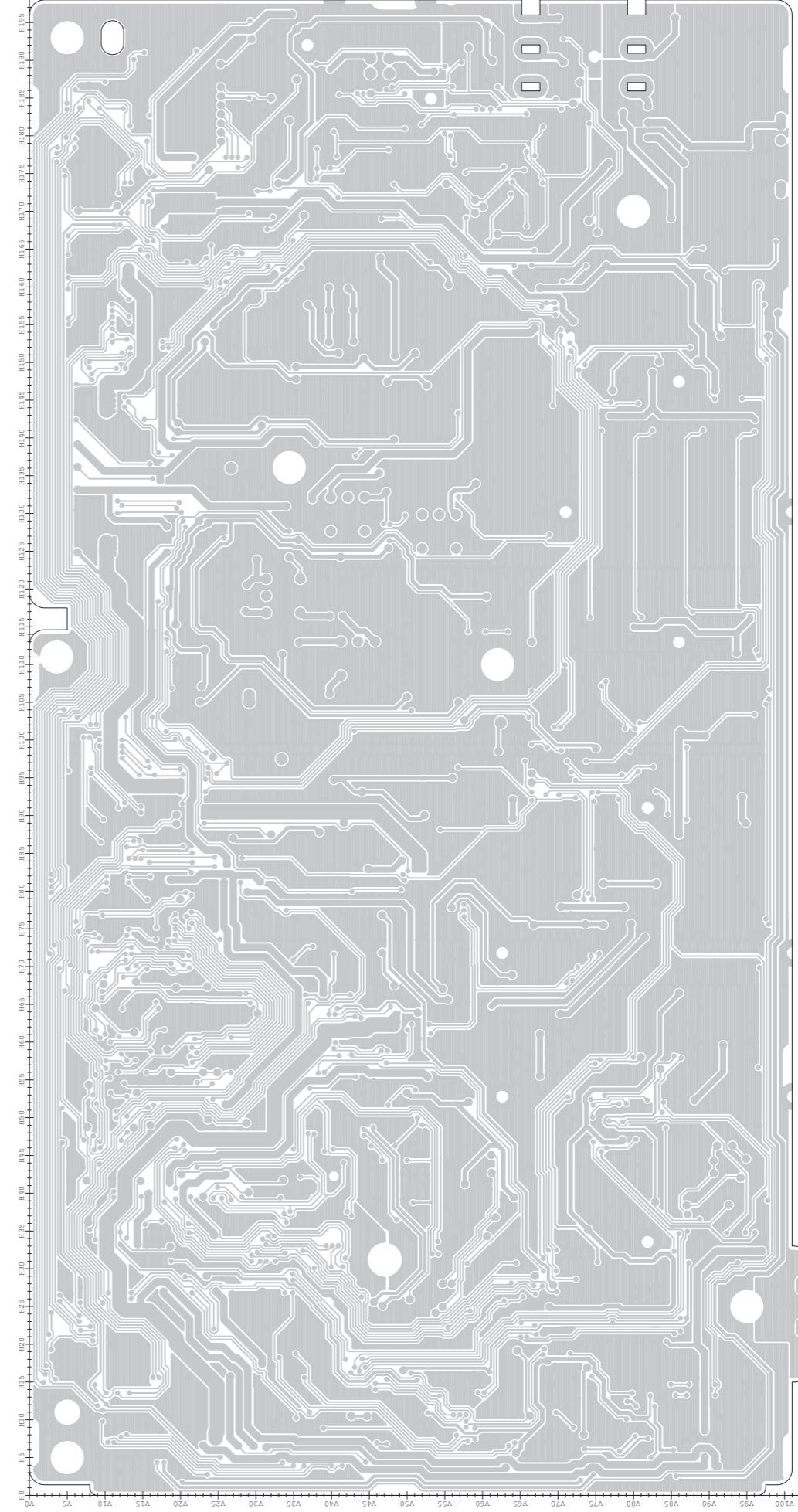
• VR-A UNIT (BOTTOM VIEW)



• RF UNIT  
(TOP VIEW)

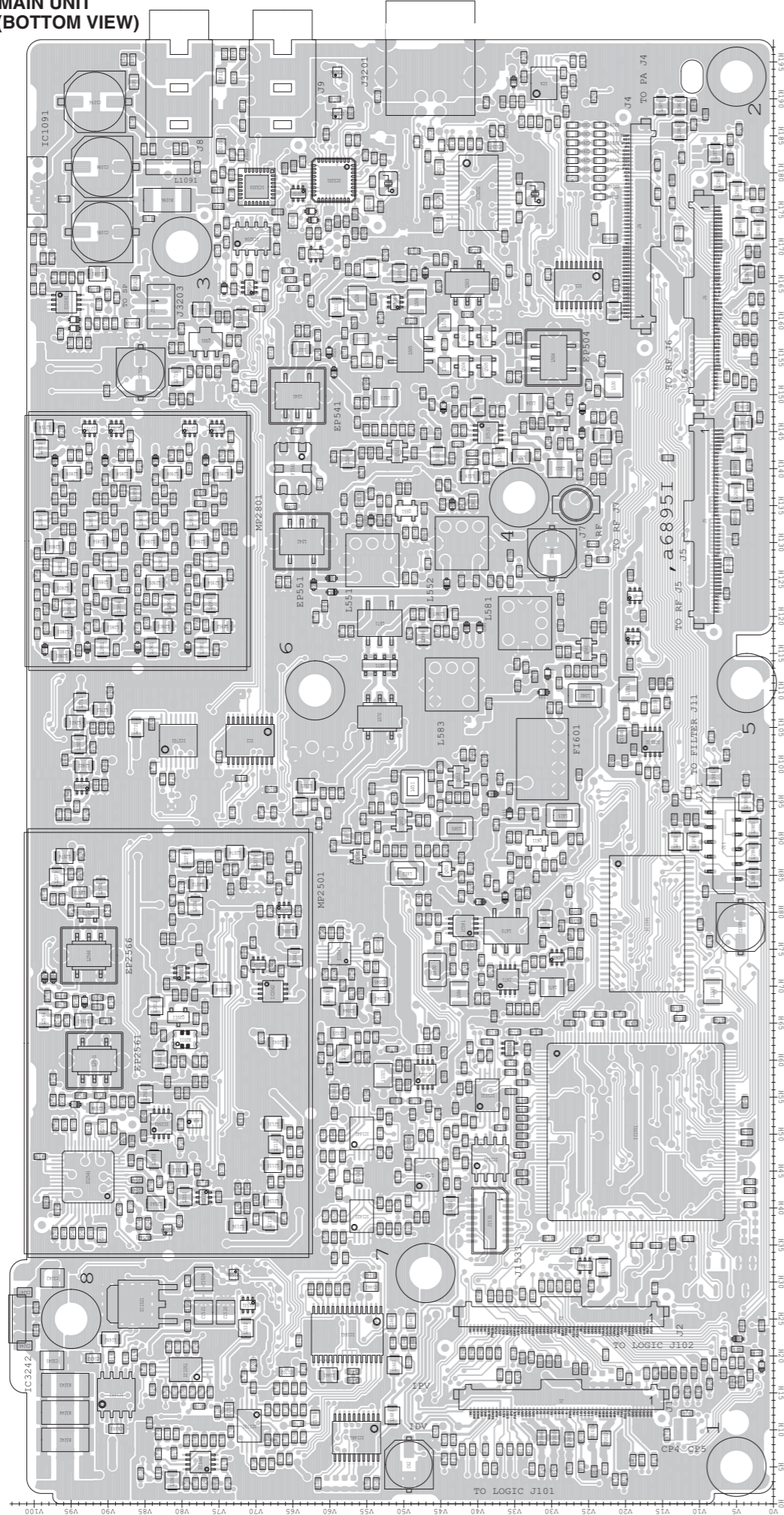


• MAIN UNIT  
(TOP VIEW)



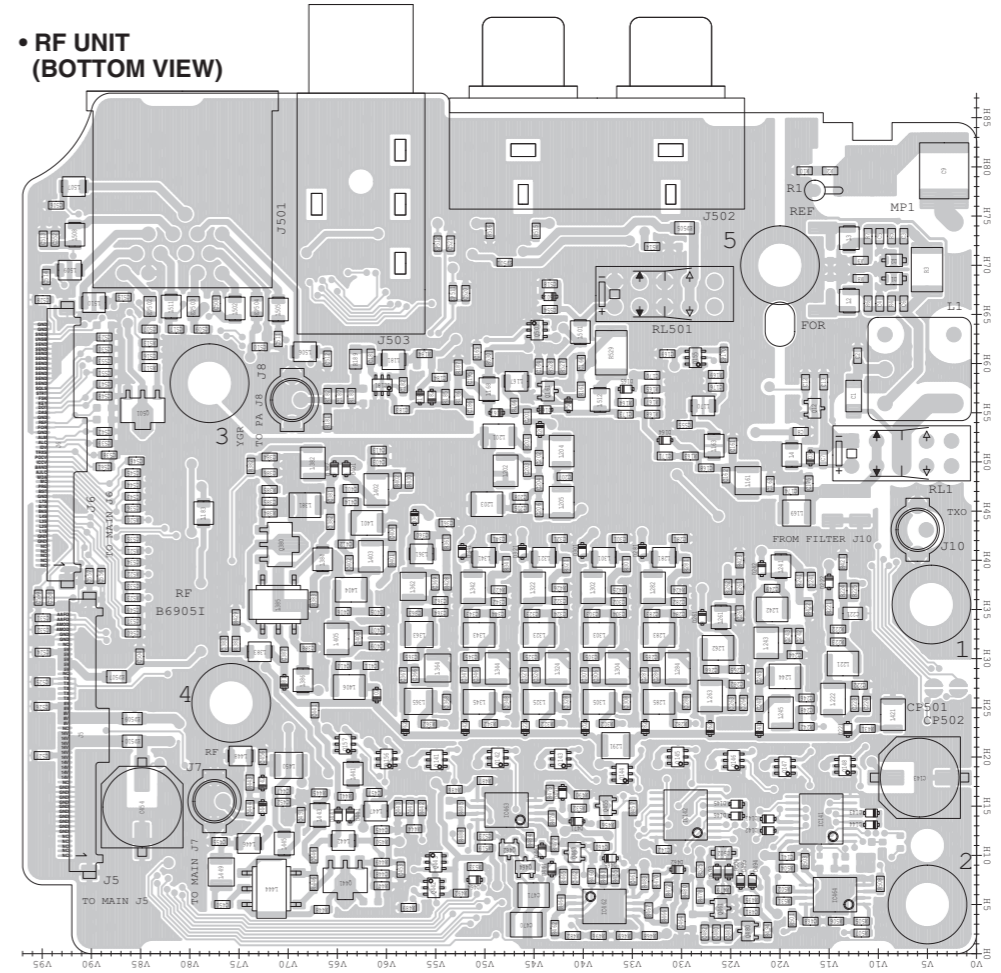
The combination of this side and the bottom side shows the board layout in the same configuration as the actual P.C.Board.

• MAIN UNIT  
(BOTTOM VIEW)



The combination of this side and the bottom side shows the board layout in the same configuration as the actual P.C.Board.

• RF UNIT  
(BOTTOM VIEW)



Oct. 2008



# SERVICE MANUAL ADDENDUM

---

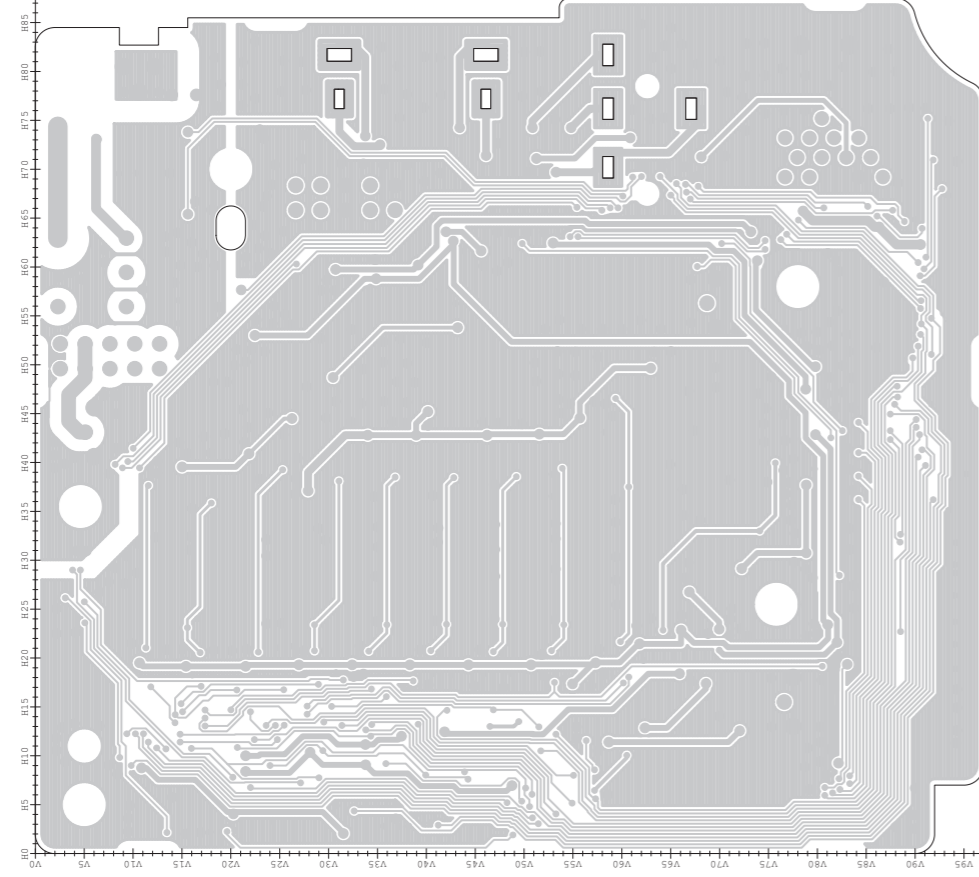
## IC-7200

---

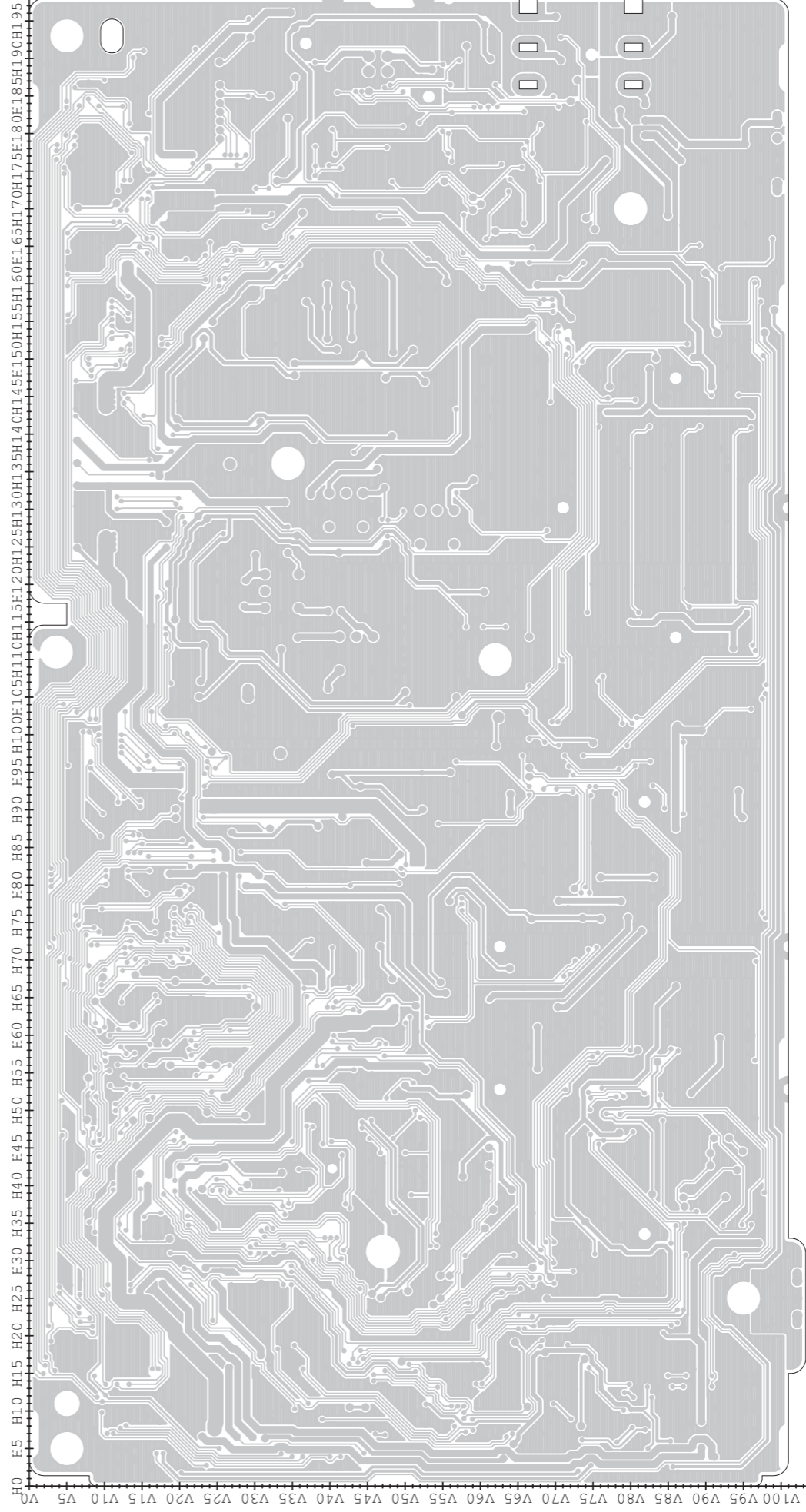
### CONTENTS

BOARD LAYOUTS (RF AND MAIN UNITS) . . . . . 1

• RF UNIT  
(TOP VIEW)

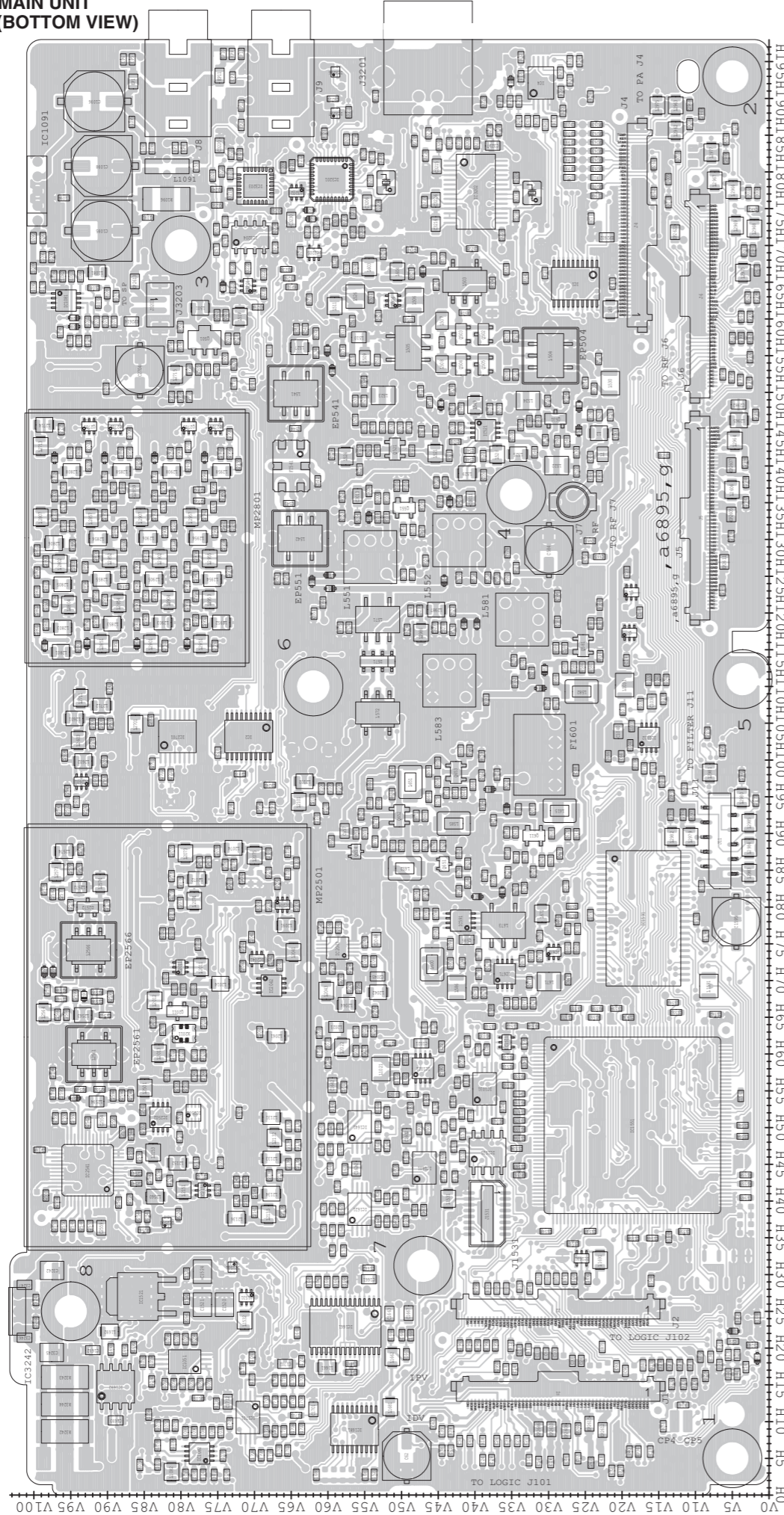


• MAIN UNIT  
(TOP VIEW)



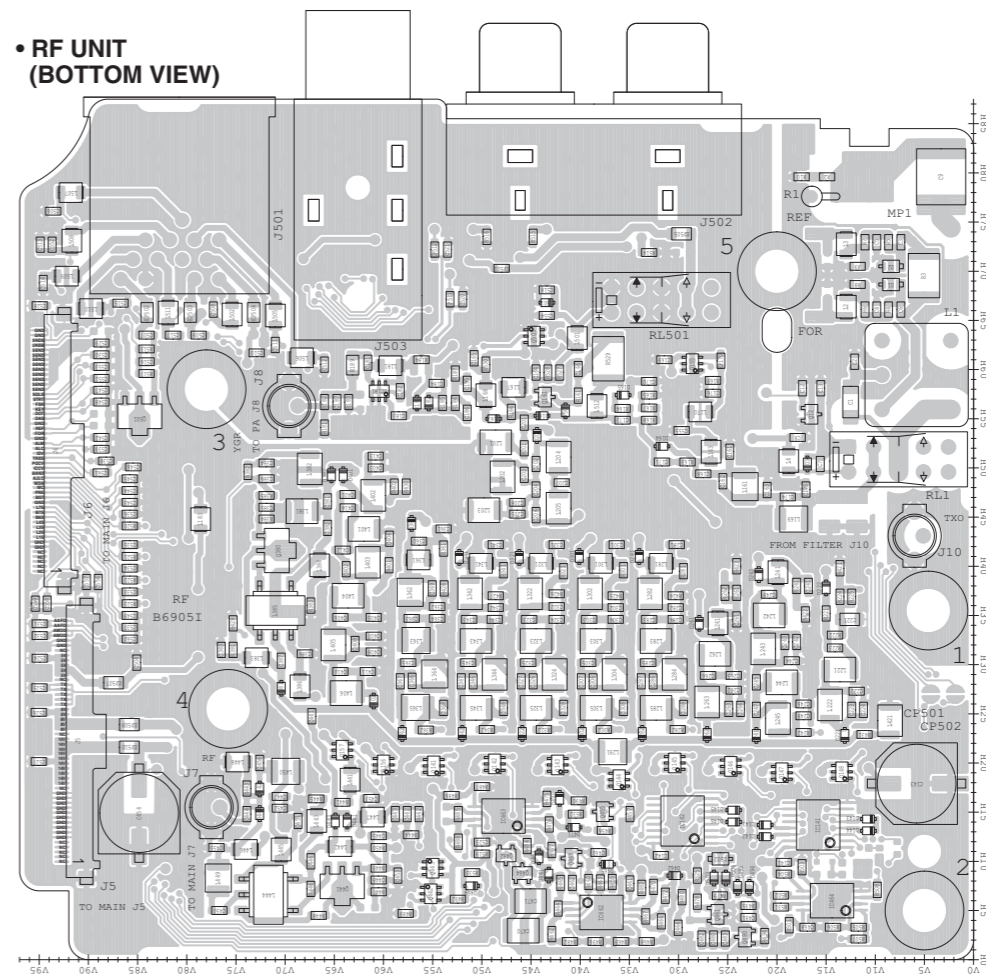
The combination of this side and the bottom side shows the board layout in the same configuration as the actual P.C.Board.

• MAIN UNIT  
(BOTTOM VIEW)



The combination of this side and the bottom side shows  
the board layout in the same configuration as the actual  
P.C.Board.

• RF UNIT  
(BOTTOM VIEW)





Oct. 2008



# SERVICE MANUAL ADDENDUM

---

## IC-7200

---

### CONTENTS

PARTS LIST .....	1
BOARD LAYOUTS .....	16
VOLTAGE DIAGRAM .....	22



















[RF UNIT]

Table with columns: REF NO., PARTS NO., DESCRIPTION, M., H/V LOCATION. Contains part numbers 7030003320 through 7030003710 and part C1.

[RF UNIT]

Table with columns: REF NO., PARTS NO., DESCRIPTION, M., H/V LOCATION. Contains part numbers 4030007150 through 4030007190 and part C1.







[FILTER BOARD]

REF NO.	PARTS NO.	DESCRIPTION	M.	H/V LOCATION
C166	4030006860	S.CER C1608 JB 1H 102K-T	T	86.5/86.7
C167	4030006880	S.CER C1608 JB 1H 472K-T	T	4/52.2
RL21	6330001721	REL ATN207-K1		
RL22	6330001721	REL ATN207-K1		
RL41	6330001721	REL ATN207-K1		
RL42	6330001721	REL ATN207-K1		
RL61	6330001721	REL ATN207-K1		
RL62	6330001721	REL ATN207-K1		
RL81	6330001721	REL ATN207-K1		
RL82	6330001721	REL ATN207-K1		
RL101	6330001721	REL ATN207-K1		
RL102	6330001721	REL ATN207-K1		
RL121	6330001721	REL ATN207-K1		
RL122	6330001721	REL ATN207-K1		
RL141	6330001721	REL ATN207-K1		
RL142	6330001721	REL ATN207-K1		
J9	6510007020	CON TMP-J01X-V6		
J10	6510007020	CON TMP-J01X-V6		
J11	6510019971	S.CON 52808-1071	T	80.5/89.2

[LOGIC UNIT]

REF NO.	PARTS NO.	DESCRIPTION	M.	H/V LOCATION
IC1	1140014972	S.IC M30620FCPGP(SX-3015A-2)	B	61.6/48.2
IC2	1130012430	S.IC S-24CS64A0I-T8T1G	B	97.2/33.1
IC3	1110006260	S.IC BD5242G-TR	B	10.3/64.3
IC5	1180000421	S.IC TA78L05F(TE12R,F)	B	50/13.3
IC6	1180001071	S.IC TA7805F(TE16L,Q)	B	171.5/48.1
IC7	1130013580	S.IC LC75813T-E	B	97.5/50.5
IC100	1180002080	S.REG BA09FP-E2	B	161.2/62.7
IC101	1180001071	S.IC TA7805F(TE16L,Q)	B	130.6/59.3
IC103	1130005721	S.IC TC7W04F(TE12L,F)	T	69.9/25.2
IC1071	1110001811	S.IC TA7368FG(5,ER)	T	130/5.9
Q1	1590000680	S.TRA DTC114EUA T106	B	174.6/16
Q51	1560001290	S.FET 2SK3065 T100	B	71.2/5.7
Q70	1540000441	S.TRA 2SD1619T-TD-E	B	151.7/41.7
Q71	1590000680	S.TRA DTC114EUA T106	B	158.8/43.9
Q72	1590000680	S.TRA DTC114EUA T106	B	158.8/41.4
Q102	1590001650	S.TRA XP4601(TX)	T	71.1/19.5
Q103	1590000680	S.TRA DTC114EUA T106	T	41.7/32
Q104	1590000680	S.TRA DTC114EUA T106	T	36.6/25.9
Q106	1590001330	S.TRA DTA114EUA T106	T	33.6/35.1
Q211	1530002060	S.TRA 2SC4081 T106 R	B	19.1/36
Q212	1590001330	S.TRA DTA114EUA T106	T	39.3/26.7
D1	1160000070	S.DIO DAN202K T146	B	22/26.3
D2	1790001250	S.DIO MA2S111-(TX) 0	B	50.2/34.4
D30	1790001250	S.DIO MA2S111-(TX) 0	T	142/55
D31	1160000070	S.DIO DAN202K T146	T	160.2/55.2
D32	1790001250	S.DIO MA2S111-(TX) 0	T	142/51
D33	1160000070	S.DIO DAN202K T146	T	160.2/46.2
D34	1790001250	S.DIO MA2S111-(TX) 0	T	142/37
D35	1160000070	S.DIO DAN202K T146	T	160.2/37.2
D36	1790001250	S.DIO MA2S111-(TX) 0	T	142/28
D37	1160000070	S.DIO DAN202K T146	T	160.2/28.2
D38	1790001250	S.DIO MA2S111-(TX) 0	T	141/64.2
D39	1160000070	S.DIO DAN202K T146	T	154.5/64.4
D40	1790001250	S.DIO MA2S111-(TX) 0	T	142.1/17.3
D41	1790001250	S.DIO MA2S111-(TX) 0	T	143.4/17.3
D42	1160000070	S.DIO DAN202K T146	T	79.2/23.2
D43	1790001250	S.DIO MA2S111-(TX) 0	T	82.7/13.4
D44	1790001250	S.DIO MA2S111-(TX) 0	T	76.2/22.8
D45	1790001250	S.DIO MA2S111-(TX) 0	B	45.7/29.3
D46	1730002531	S.ZEN NNCD6.2G-T1-A	B	139.3/21
D47	1790001250	S.DIO MA2S111-(TX) 0	B	31.8/33.9
D48	1790001250	S.DIO MA2S111-(TX) 0	B	123.6/33.2
	1790001250	S.DIO MA2S111-(TX) 0	[EUR]	
	1790001250	S.DIO MA2S111-(TX) 0	[ITR]	
	1790001250	S.DIO MA2S111-(TX) 0	[ESP]	
	1790001250	S.DIO MA2S111-(TX) 0	[EUR-01]	
D49	1790001250	S.DIO MA2S111-(TX) 0	[USA]	B 123.6/31.9
	1790001250	S.DIO MA2S111-(TX) 0	[EUR]	
	1790001250	S.DIO MA2S111-(TX) 0	[ITR]	
	1790001250	S.DIO MA2S111-(TX) 0	[ESP]	
	1790001250	S.DIO MA2S111-(TX) 0	[EUR-01]	
	1790001250	S.DIO MA2S111-(TX) 0	[KOR]	
	1790001250	S.DIO MA2S111-(TX) 0	[CHN]	
	1790001250	S.DIO MA2S111-(TX) 0	[EXP]	
D50	1790001250	S.DIO MA2S111-(TX) 0	[USA]	B 123.6/30.6
	1790001250	S.DIO MA2S111-(TX) 0	[EUR]	
	1790001250	S.DIO MA2S111-(TX) 0	[EUR-01]	
	1790001250	S.DIO MA2S111-(TX) 0	[CHN]	
	1790001250	S.DIO MA2S111-(TX) 0	[EXP]	
D51	1790001250	S.DIO MA2S111-(TX) 0	[FRA]	B 123.6/29.3
	1790001250	S.DIO MA2S111-(TX) 0	[ESP]	
	1790001250	S.DIO MA2S111-(TX) 0	[EUR-01]	
	1790001250	S.DIO MA2S111-(TX) 0	[KOR]	
D52	1790001250	S.DIO MA2S111-(TX) 0	[EUR]	B 123.6/28
	1790001250	S.DIO MA2S111-(TX) 0	[ITR]	
	1790001250	S.DIO MA2S111-(TX) 0	[ESP]	
	1790001250	S.DIO MA2S111-(TX) 0	[EUR-01]	
D53	1790001250	S.DIO MA2S111-(TX) 0	[USA]	B 123.6/26.7
	1790001250	S.DIO MA2S111-(TX) 0	[EUR]	
	1790001250	S.DIO MA2S111-(TX) 0	[ITR]	
	1790001250	S.DIO MA2S111-(TX) 0	[ESP]	
	1790001250	S.DIO MA2S111-(TX) 0	[EUR-01]	
	1790001250	S.DIO MA2S111-(TX) 0	[KOR]	
	1790001250	S.DIO MA2S111-(TX) 0	[CHN]	
	1790001250	S.DIO MA2S111-(TX) 0	[EXP]	
D54	1790001250	S.DIO MA2S111-(TX) 0	[USA]	B 123.6/25.4
	1790001250	S.DIO MA2S111-(TX) 0	[EUR]	
	1790001250	S.DIO MA2S111-(TX) 0	[EUR-01]	
	1790001250	S.DIO MA2S111-(TX) 0	[CHN]	
	1790001250	S.DIO MA2S111-(TX) 0	[EXP]	
D55	1790001250	S.DIO MA2S111-(TX) 0	[FRA]	B 123.6/24.1
	1790001250	S.DIO MA2S111-(TX) 0	[ESP]	
	1790001250	S.DIO MA2S111-(TX) 0	[EUR-01]	
	1790001250	S.DIO MA2S111-(TX) 0	[KOR]	
D56	1160000070	S.DIO DAN202K T146	B	22/32.4
D57	1790001250	S.DIO MA2S111-(TX) 0	B	119.3/31.8
	1790001250	S.DIO MA2S111-(TX) 0	[USA]	
	1790001250	S.DIO MA2S111-(TX) 0	[EUR]	
	1790001250	S.DIO MA2S111-(TX) 0	[FRA]	
	1790001250	S.DIO MA2S111-(TX) 0	[EUR-01]	
	1790001250	S.DIO MA2S111-(TX) 0	[KOR]	
	1790001250	S.DIO MA2S111-(TX) 0	[CHN]	
	1790001250	S.DIO MA2S111-(TX) 0	[EXP]	
D58	1790001250	S.DIO MA2S111-(TX) 0	B	119.2/30.6
D59	1790001250	S.DIO MA2S111-(TX) 0	B	119.2/29.3
D61	1790001250	S.DIO MA2S111-(TX) 0	B	119.2/26.7
D62	1790001250	S.DIO MA2S111-(TX) 0	B	119.2/25.4

M.=Mounted side (T: Mounted on the Top side, B: Mounted on the Bottom side)  
S.=Surface mount



[LOGIC UNIT]

REF NO.	PARTS NO.	DESCRIPTION	M.	H/V LOCATION
C25	4030011600	S.CER C1608 JB 1E 104K-T	B	61.3/37.2
C26	4030017490	S.CER C1608 JB 1A 105K-T	B	51.4/52.1
C27	4030011600	S.CER C1608 JB 1E 104K-T	B	63.6/59.1
C28	4030017490	S.CER C1608 JB 1A 105K-T	B	51.4/54.7
C44	4030006880	S.CER C1608 JB 1H 472K-T	B	151.5/26.8
C45	4030006880	S.CER C1608 JB 1H 472K-T	B	155.5/28.7
C47	4030006880	S.CER C1608 JB 1H 472K-T	B	66.1/3.3
C49	4030006880	S.CER C1608 JB 1H 472K-T	B	158.1/28.7
C50	4030006880	S.CER C1608 JB 1H 472K-T	B	25.6/32.5
C70	4030006880	S.CER C1608 JB 1H 472K-T	T	15.5/29.6
C71	4030006880	S.CER C1608 JB 1H 472K-T	T	16.9/33.8
C72	4030006880	S.CER C1608 JB 1H 472K-T	T	15.5/28.3
C73	4030006880	S.CER C1608 JB 1H 472K-T	T	15.9/25.7
C74	4030017490	S.CER C1608 JB 1A 105K-T	B	155.1/39
C101	4030011600	S.CER C1608 JB 1E 104K-T	T	66.5/26.4
C102	4030006880	S.CER C1608 JB 1H 472K-T	T	36.5/27.8
C103	4030012610	S.CER C2012 JB 1C 474K-T	T	66.2/23.4
C104	4030011600	S.CER C1608 JB 1E 104K-T	B	138/60.8
C105	4030011600	S.CER C1608 JB 1E 104K-T	B	155.8/61.2
C106	4030019490	S.CER C2012 JB 1A 106K-T	B	139.7/61.3
C107	4030011600	S.CER C1608 JB 1E 104K-T	B	155.8/64.2
C108	4030019490	S.CER C2012 JB 1A 106K-T	B	136.4/54.5
C109	4030019490	S.CER C2012 JB 1A 106K-T	B	154.1/63.4
C110	4030011600	S.CER C1608 JB 1E 104K-T	B	138/57.9
C158	4030017490	S.CER C1608 JB 1A 105K-T	B	39.7/37.4
C170	4030006880	S.CER C1608 JB 1H 472K-T	B	23.5/23.6
C171	4030006880	S.CER C1608 JB 1H 472K-T	T	39.2/37.7
C172	4030018910	S.CER C1608 JB 0J 475K-T	T	38.4/36.4
C211	4030006880	S.CER C1608 JB 1H 472K-T	B	19.1/32.6
C212	4030011600	S.CER C1608 JB 1E 104K-T	B	19.1/38.4
C1071	4030011600	S.CER C1608 JB 1E 104K-T	T	127.8/14.5
C1072	4510009700	S.ELE EEEFK1C101P	B	128.2/19.3
C1073	4510009820	S.ELE EEEFK1C470P	B	129.1/5.1
C1074	4510009820	S.ELE EEEFK1C470P	B	129.1/12.2
J1	6510018971	S.CON B4B-PH-SM4-TB(LF)(SN)	B	140.7/29.4
J3	6510019971	S.CON 52808-1071	B	157.3/22.7
J4	6510019971	S.CON 52808-1071	B	61/7.7
J5	6510019971	S.CON 52808-1071	B	9.3/29.1
J101	6510024151	S.CON 50FY-BMT-TB(LF)(SN)	B	39.2/25.8
J102	6510024151	S.CON 50FY-BMT-TB(LF)(SN)	B	39.2/61
J301	6510019971	S.CON 52808-1071	B	77.2/59.4
DS1	5030003090	LCD S11325 <SUC>		
DS2	5040002940	S.LED TLYU1002A(T02)	T	172.5/14.3
DS70	5040002940	S.LED TLYU1002A(T02)	T	61.5/49.1
DS71	5040002940	S.LED TLYU1002A(T02)	T	53/49.1
DS73	5040002940	S.LED TLYU1002A(T02)	T	53/59.2
DS74	5040002940	S.LED TLYU1002A(T02)	T	61.5/59.2
DS76	5040002940	S.LED TLYU1002A(T02)	T	70/59.2
DS77	5040002940	S.LED TLYU1002A(T02)	T	70/49.1
DS79	5040002940	S.LED TLYU1002A(T02)	T	78.5/59.2
DS80	5040002940	S.LED TLYU1002A(T02)	T	78.5/49.1
DS82	5040002940	S.LED TLYU1002A(T02)	T	87/59.2
DS83	5040002940	S.LED TLYU1002A(T02)	T	87/49.1
DS85	5040002940	S.LED TLYU1002A(T02)	T	95.5/59.2
DS86	5040002940	S.LED TLYU1002A(T02)	T	95.5/49.1
DS88	5040002940	S.LED TLYU1002A(T02)	T	104/59.2
DS89	5040002940	S.LED TLYU1002A(T02)	T	104/49.1
EP2	8930076650	LCD SRCN-3015-SP-N-W (SHJ)		
EP4	6910012350	S.BEA MMZ1608Y 102BT	B	63.8/14.9
EP5	6910012350	S.BEA MMZ1608Y 102BT	T	12.5/24.8
EP6	6910012350	S.BEA MMZ1608Y 102BT	B	21.6/21.3
EP45	6910012350	S.BEA MMZ1608Y 102BT	B	57.3/10.2
EP46	6910012350	S.BEA MMZ1608Y 102BT	B	57.3/8.2
EP47	6910018930	S.BEA MPZ2012S601A	T	41.9/23.2
EP48	6910018930	S.BEA MPZ2012S601A	T	41.9/21.5
EP49	6910018930	S.BEA MPZ2012S601A	B	41/21.1
EP50	6910018930	S.BEA MPZ2012S601A	B	45.5/21
EP51	6910018930	S.BEA MPZ2012S601A	B	65.4/7.4
EP52	6910018930	S.BEA MPZ2012S601A	B	65.4/11.1
EP53	6910018930	S.BEA MPZ2012S601A	B	8.8/25.3
EP54	6910018930	S.BEA MPZ2012S601A	B	66.3/4.9
EP55	6910018930	S.BEA MPZ2012S601A	B	43/21

[VR-A UNIT]

REF NO.	PARTS NO.	DESCRIPTION	M.	H/V LOCATION
R1	7210002910	VAR RV-310(RK0972210 10KB/10KB)		
R2	7210002960	VAR RV-313(RK0972210 10KB/10KB)		
J1	6510026670	S.CON IMSA-6281S-06Y900	T	21.6/5.1

[VR-B UNIT]

REF NO.	PARTS NO.	DESCRIPTION	M.	H/V LOCATION
J1	6510020711	S.CON 52793-1070(1090)	T	9.2/2.4
S1	2250000640	ENC TP96D96E20-22F-10KB-3015		

[MIC UNIT]

REF NO.	PARTS NO.	DESCRIPTION	M.	H/V LOCATION
J1	6510000191	CON FM214-8SS(P)-1		
J2	6510019971	S.CON 52808-1071	B	18.1/6.5

[PHONE UNIT]

REF NO.	PARTS NO.	DESCRIPTION	M.	H/V LOCATION
R1	7030006070	S.RES ERJ12YJ101U (100)	T	24.6/5
R2	7030006070	S.RES ERJ12YJ101U (100)	T	24.6/10.1
R3	7030003440	S.RES ERJ3GEYJ 102 V (1K)	T	23.1/12.6
C1	4030006880	S.CER C1608 JB 1H 472K-T	B	27.7/9.6
C2	4030006880	S.CER C1608 JB 1H 472K-T	T	23.1/2.5
C3	4030006880	S.CER C1608 JB 1H 472K-T	T	23.1/13.9
J1	6510023891	CON S-G4617#01F 0		
J2	6510019971	S.CON 52808-1071	B	26.6/4
EP1	6910014690	S.BEA MPZ1608S221A-T	B	29.2/8.1

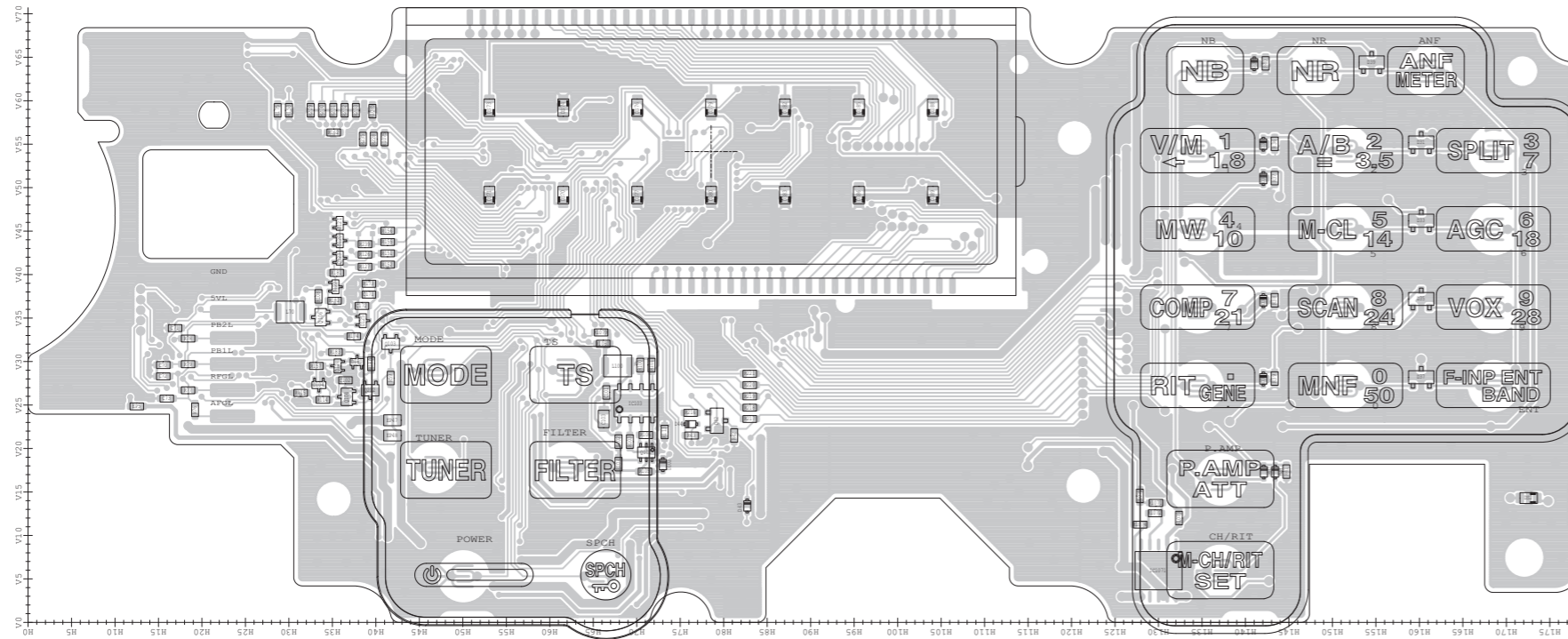
M.=Mounted side (T: Mounted on the Top side, B: Mounted on the Bottom side)  
S.=Surface mount



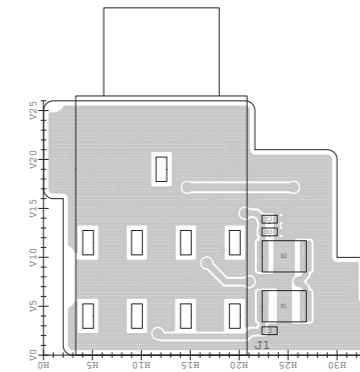
# BOARD LAYOUTS

The combination of this side and the bottom side shows the board layout in the same configuration as the actual P.C.Board.

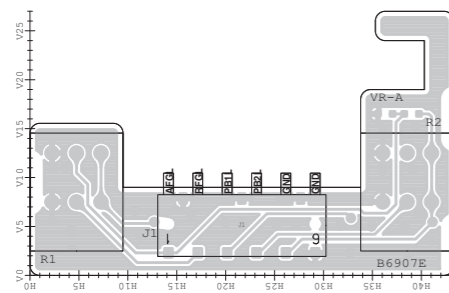
• LOGIC UNIT (TOP VIEW)



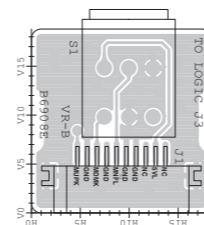
• PHONE UNIT (TOP VIEW)



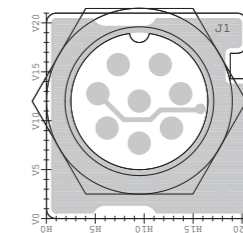
• VR-A UNIT (TOP VIEW)



• VR-B UNIT (TOP VIEW)

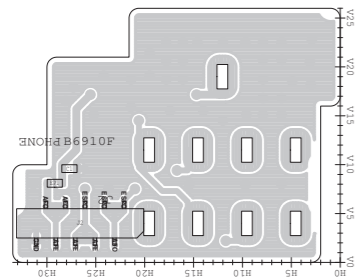


• MIC UNIT (TOP VIEW)

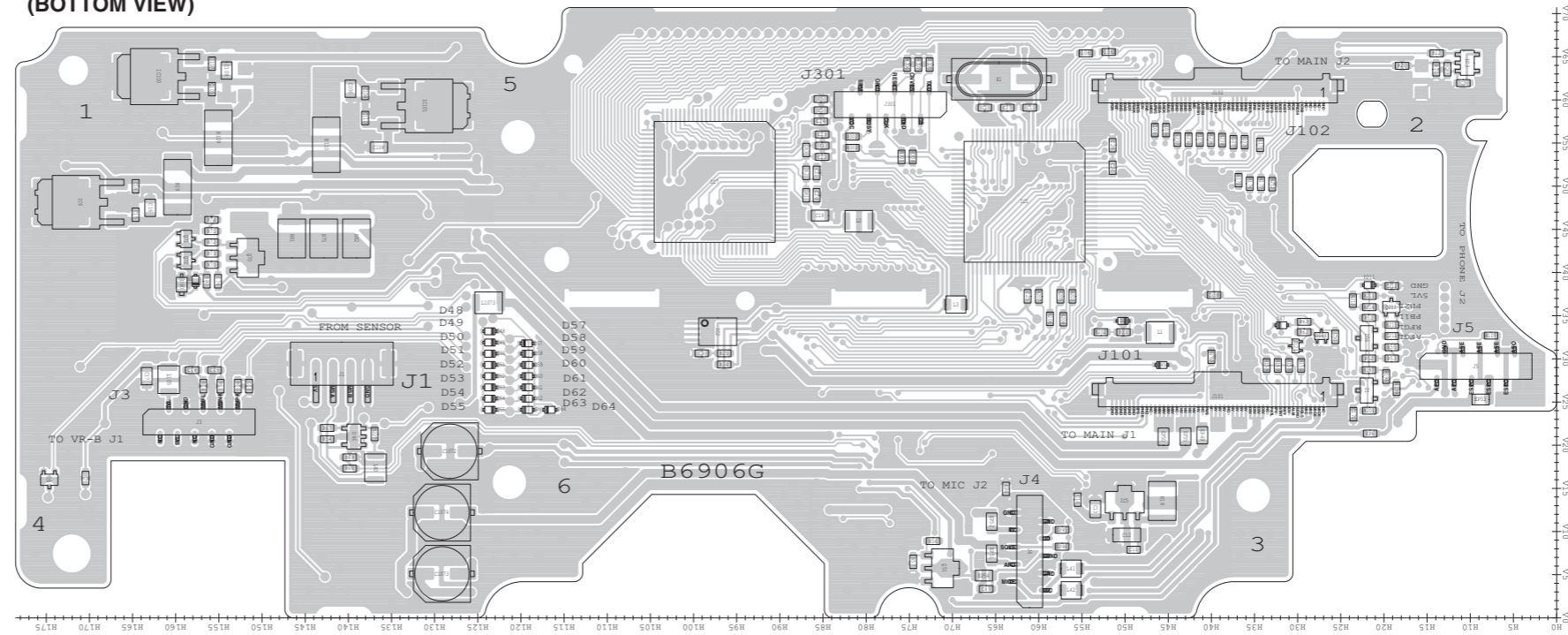


The combination of this side and the bottom side shows the board layout in the same configuration as the actual P.C.Board.

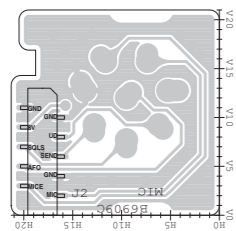
• PHONE UNIT (BOTTOM VIEW)



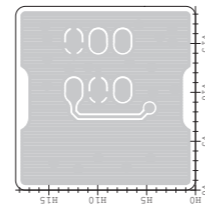
• LOGIC UNIT (BOTTOM VIEW)



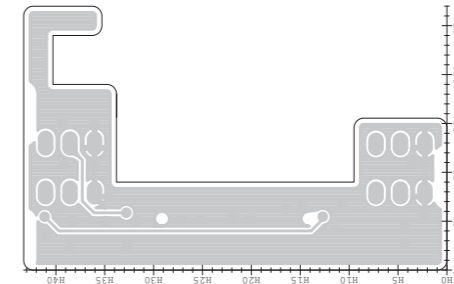
• MIC UNIT (BOTTOM VIEW)



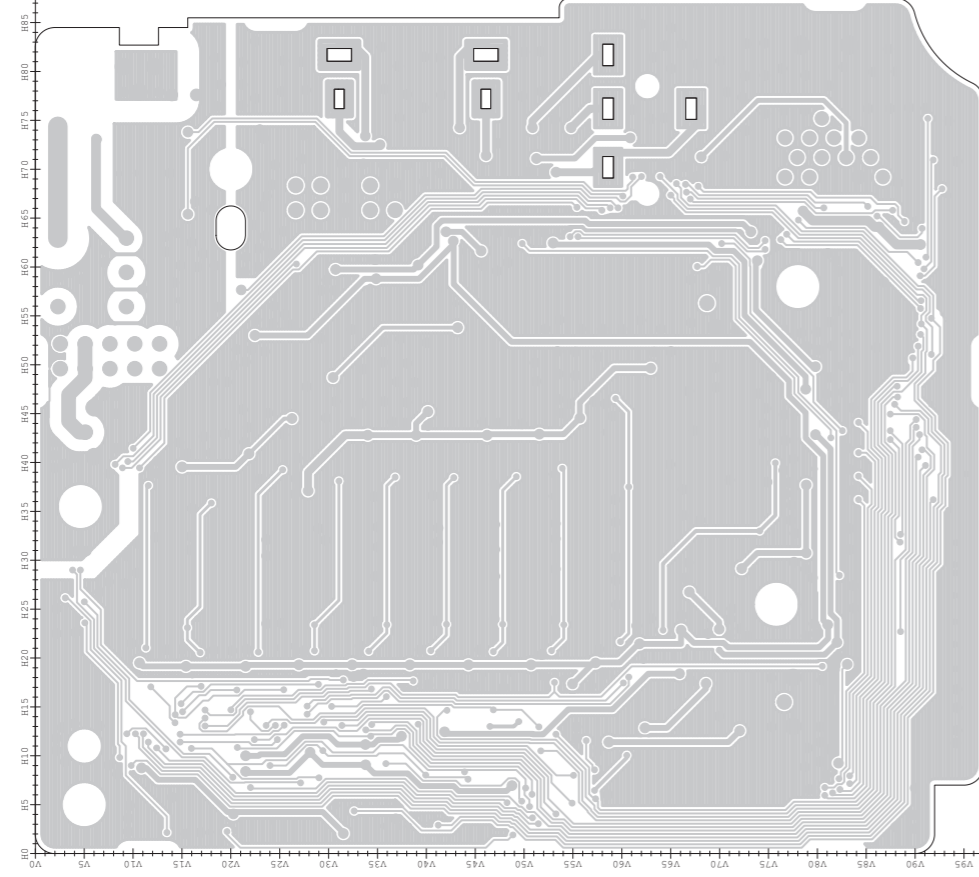
• VR-B UNIT (BOTTOM VIEW)



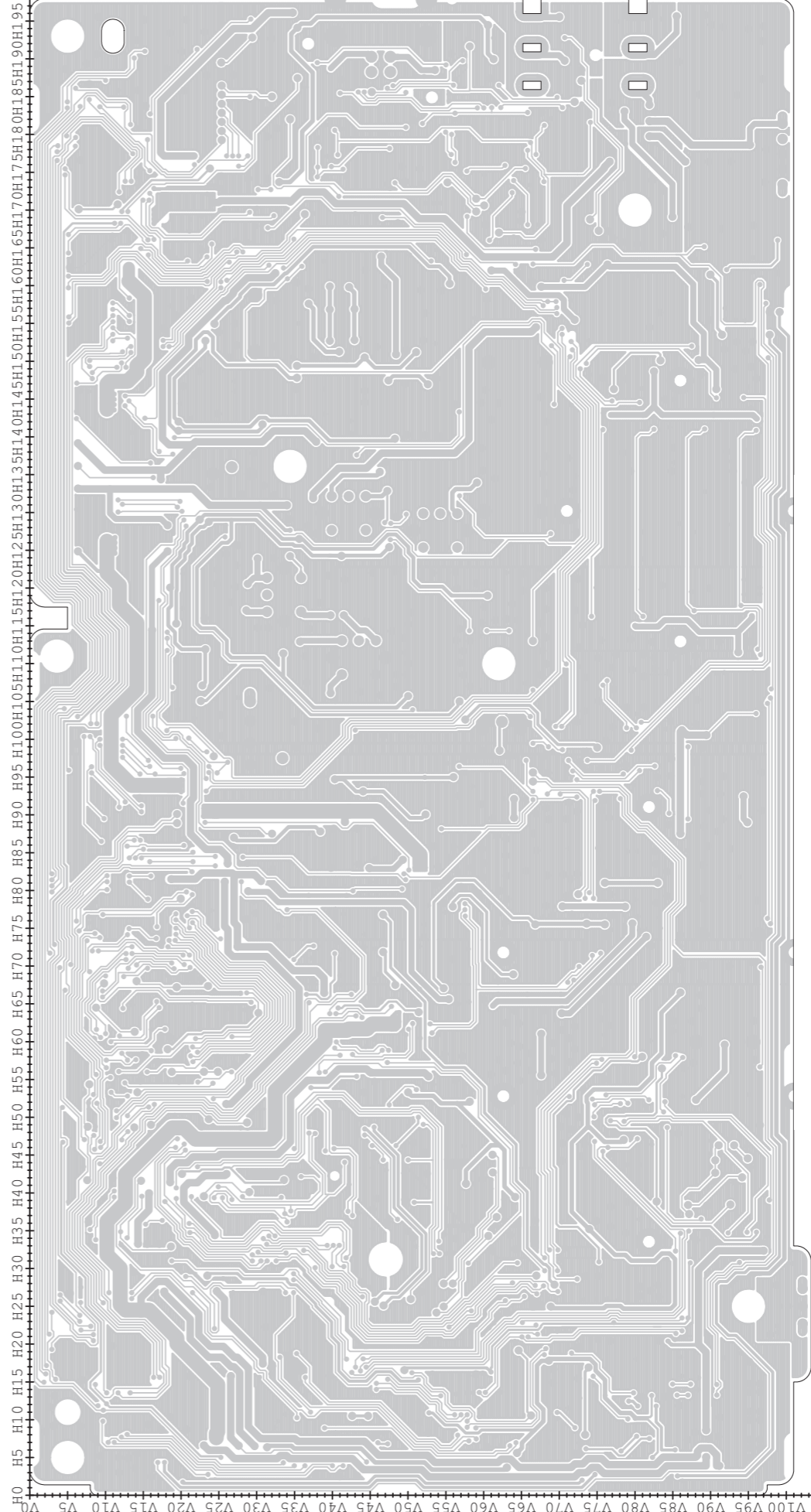
• VR-A UNIT (BOTTOM VIEW)



• RF UNIT  
(TOP VIEW)

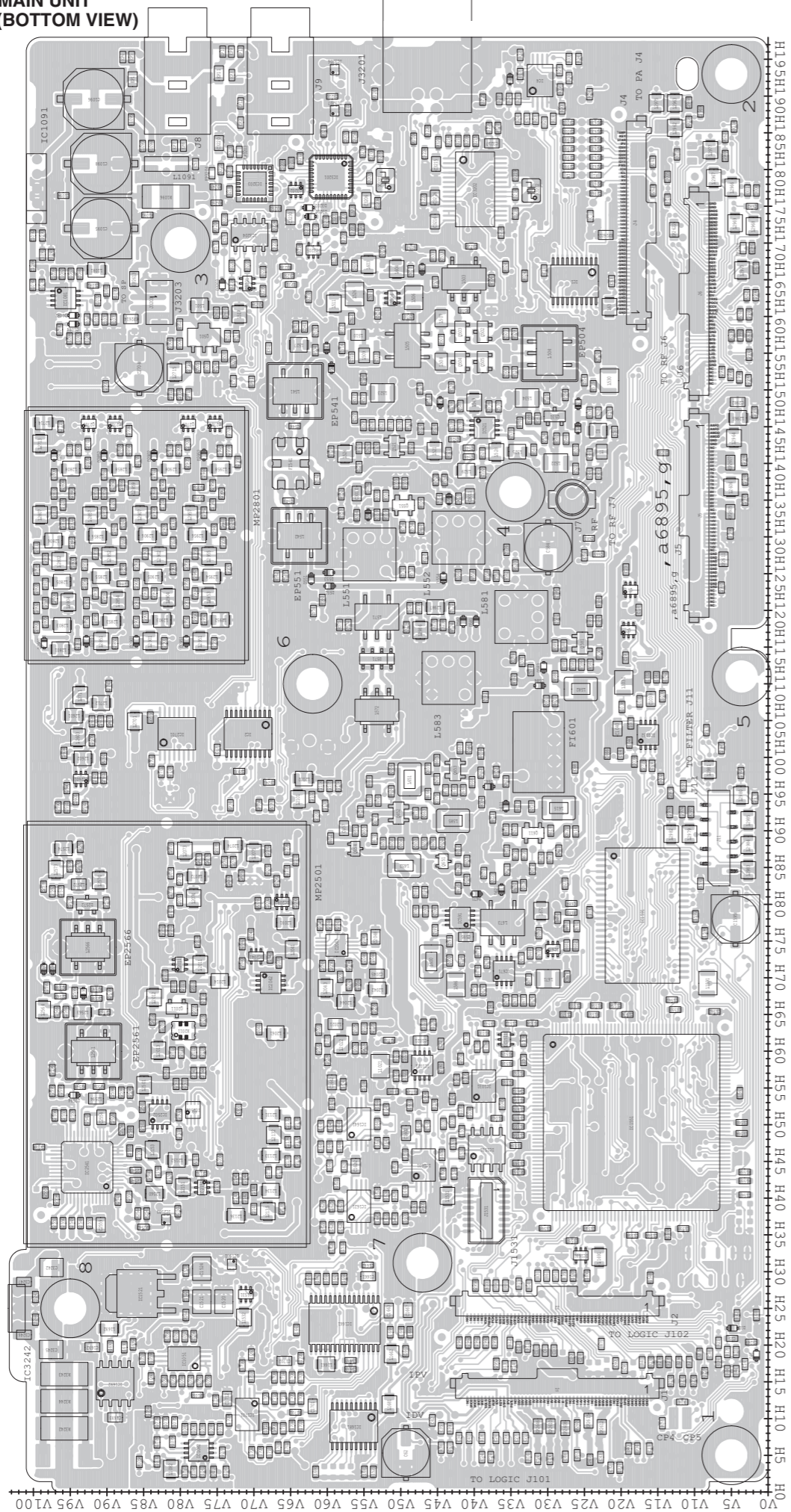


• MAIN UNIT  
(TOP VIEW)



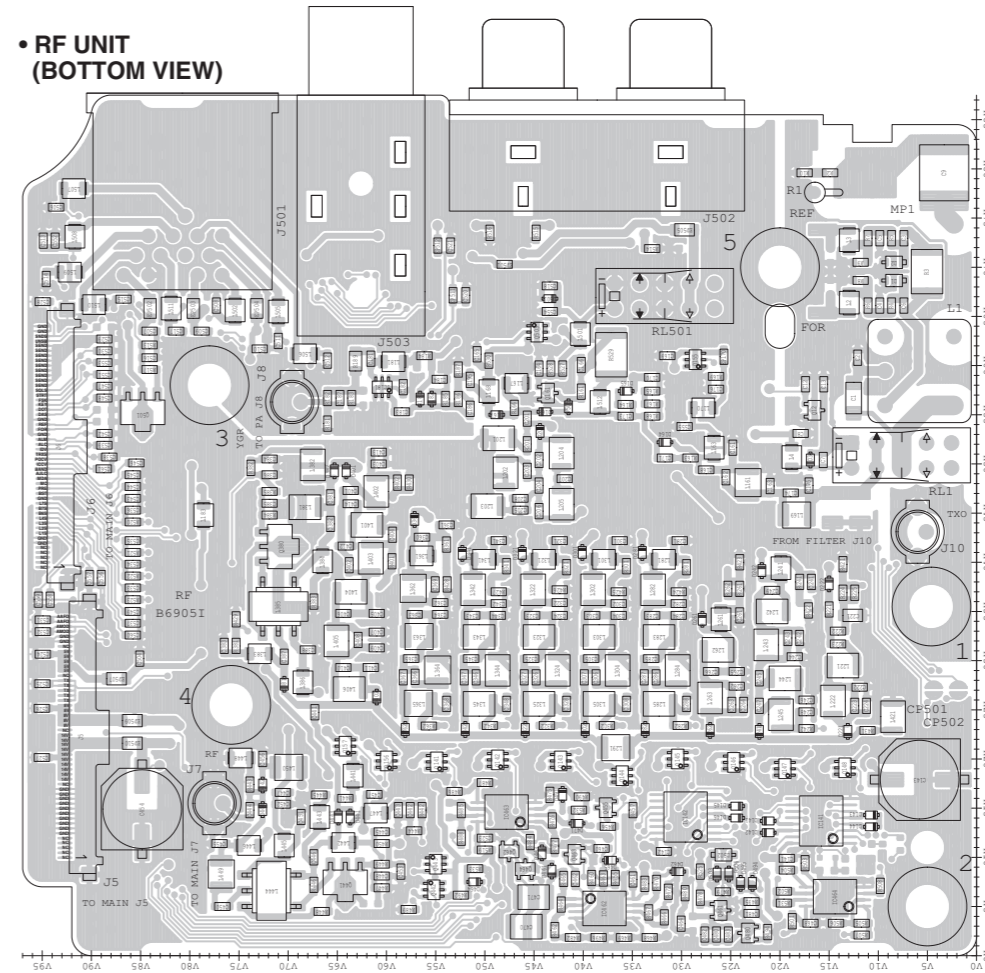
The combination of this side and the bottom side shows the board layout in the same configuration as the actual P.C.Board.

• MAIN UNIT  
(BOTTOM VIEW)



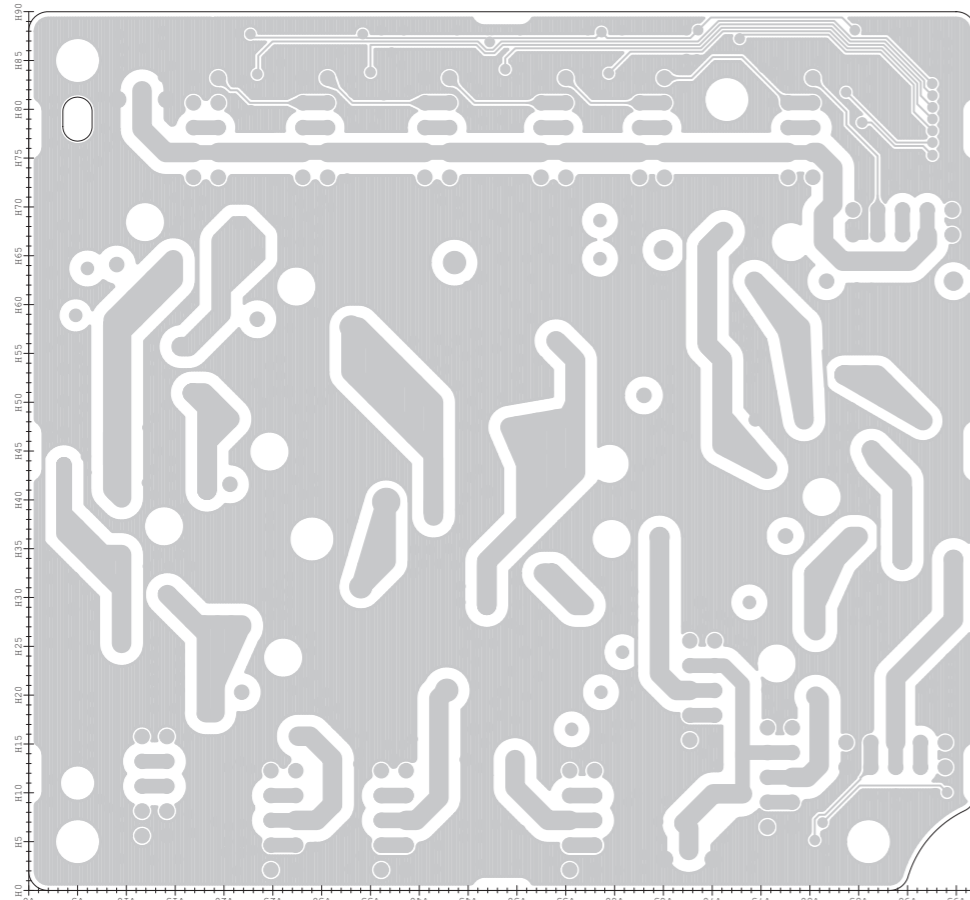
The combination of this side and the bottom side shows the board layout in the same configuration as the actual P.C.Board.

• RF UNIT  
(BOTTOM VIEW)

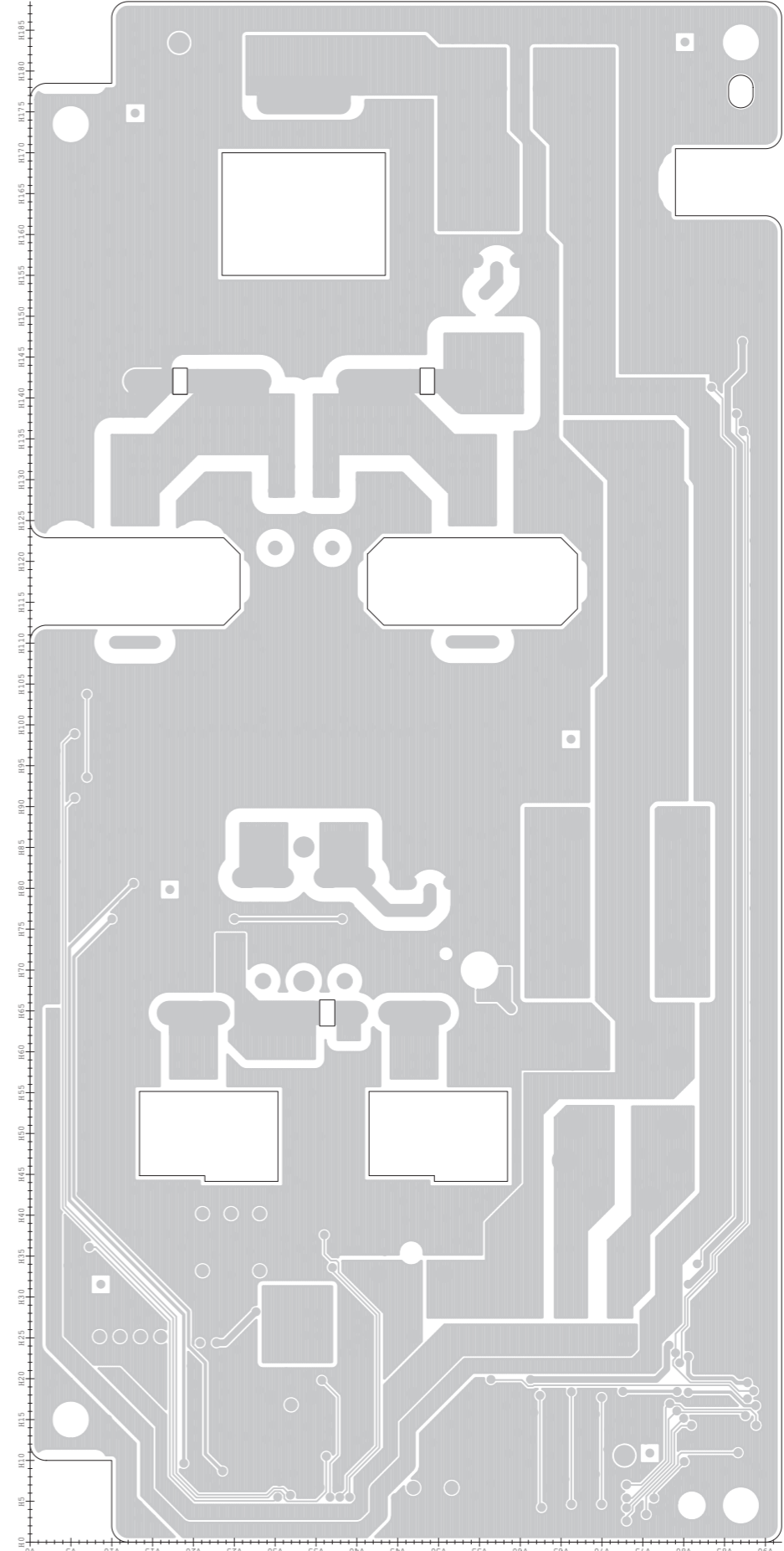


The combination of this side and the bottom side shows the board layout in the same configuration as the actual P.C.Board.

• FILTER UNIT  
(TOP VIEW)

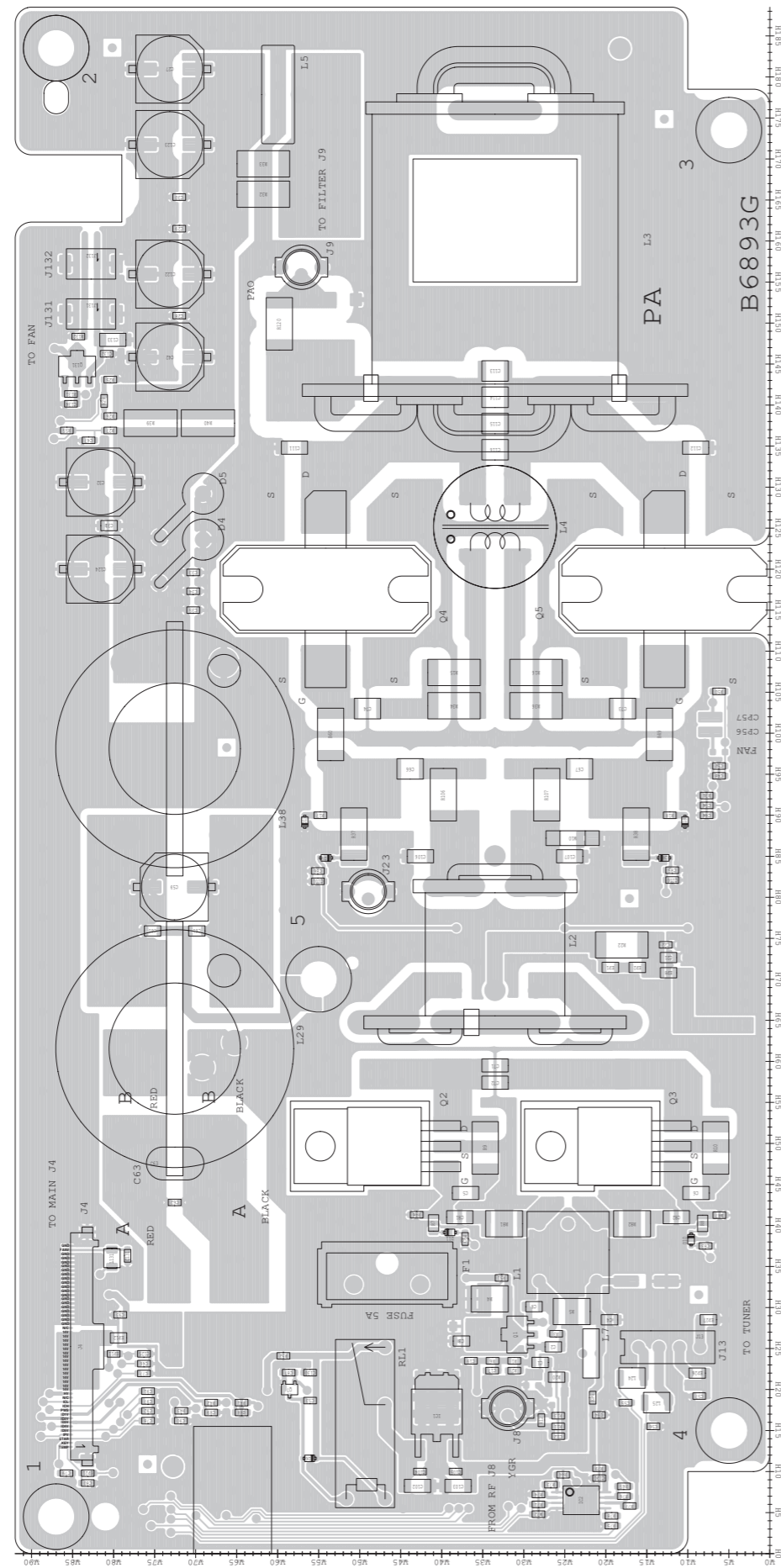


• PA UNIT  
(TOP VIEW)

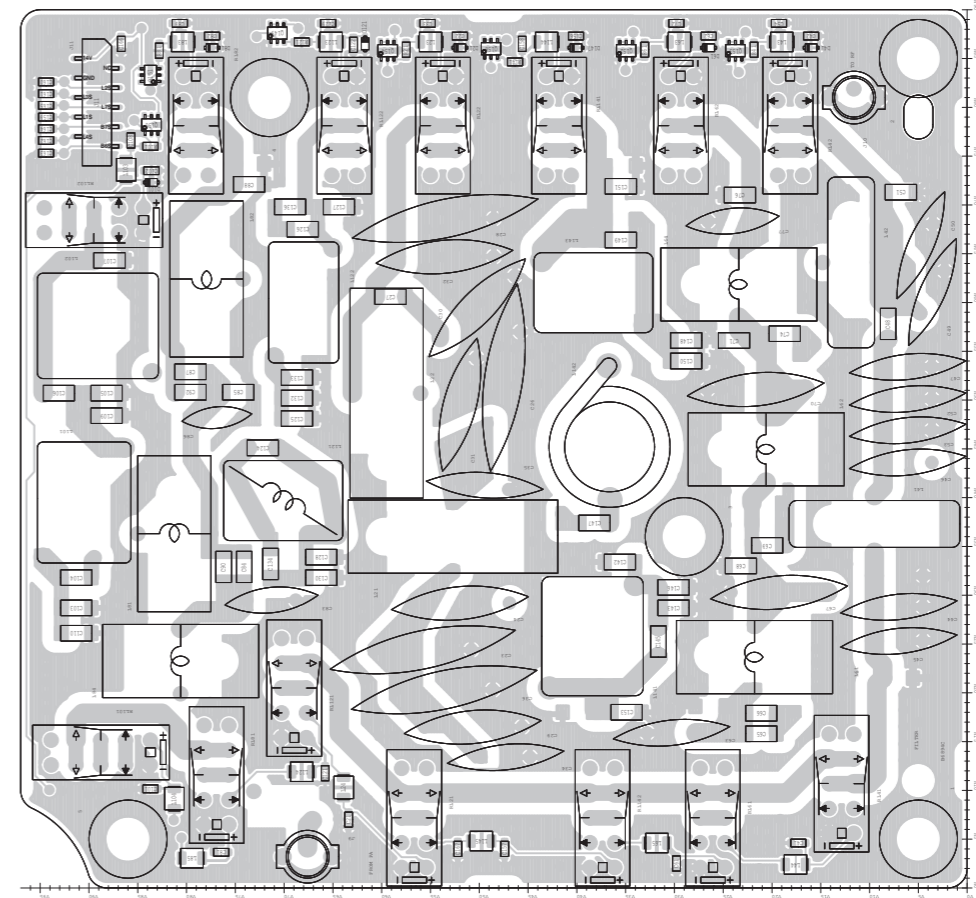


The combination of this side and the bottom side shows the board layout in the same configuration as the actual P.C.Board.

• PA UNIT  
(BOTTOM VIEW)

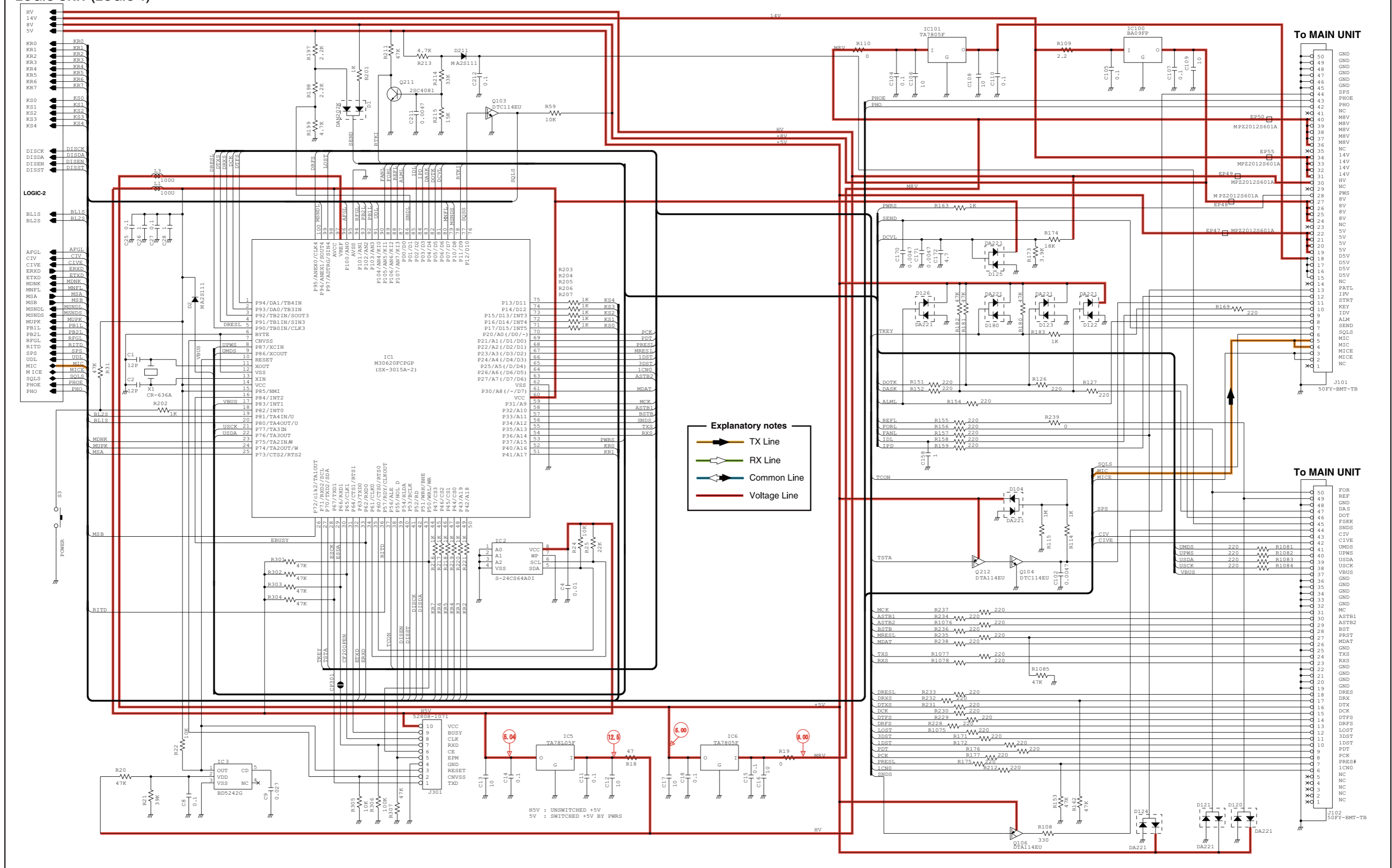


• FILTER UNIT  
(BOTTOM VIEW)



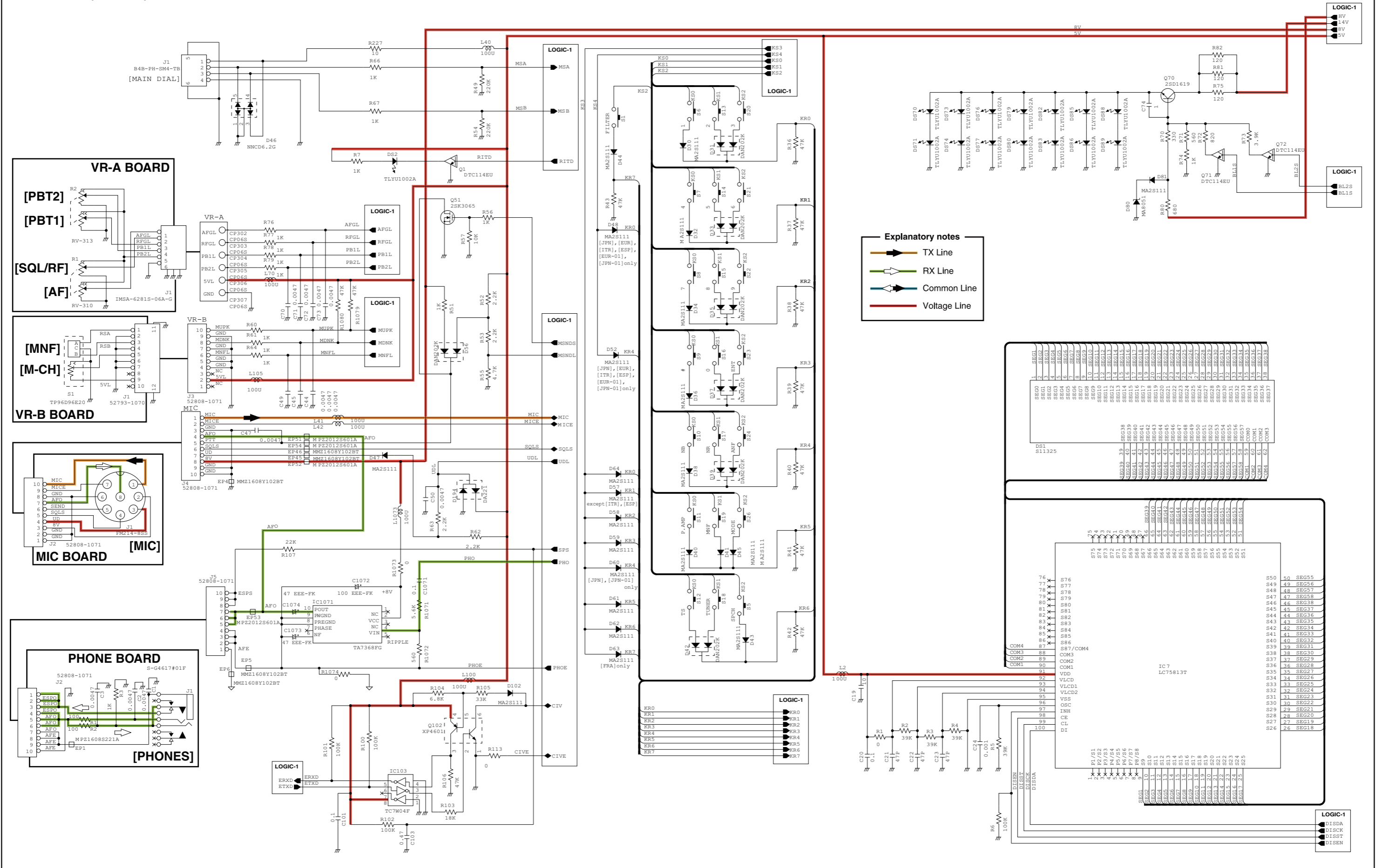
# VOLTAGE DIAGRAM

## • LOGIC UNIT (LOGIC-1)



\*; Refer to "PARTS LIST."

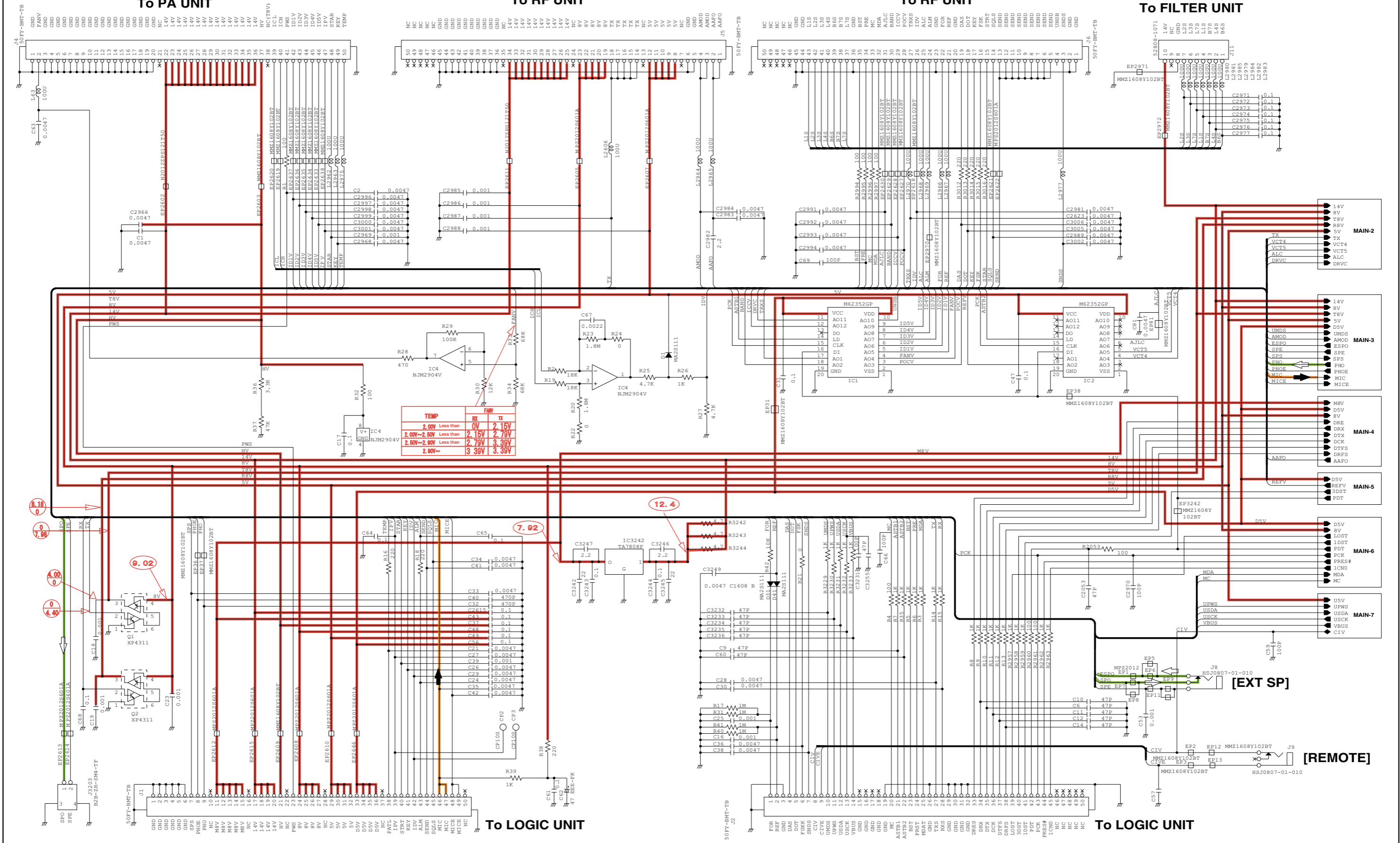
• LOGIC UNIT (LOGIC-2)



\*, Refer to "PARTS LIST"



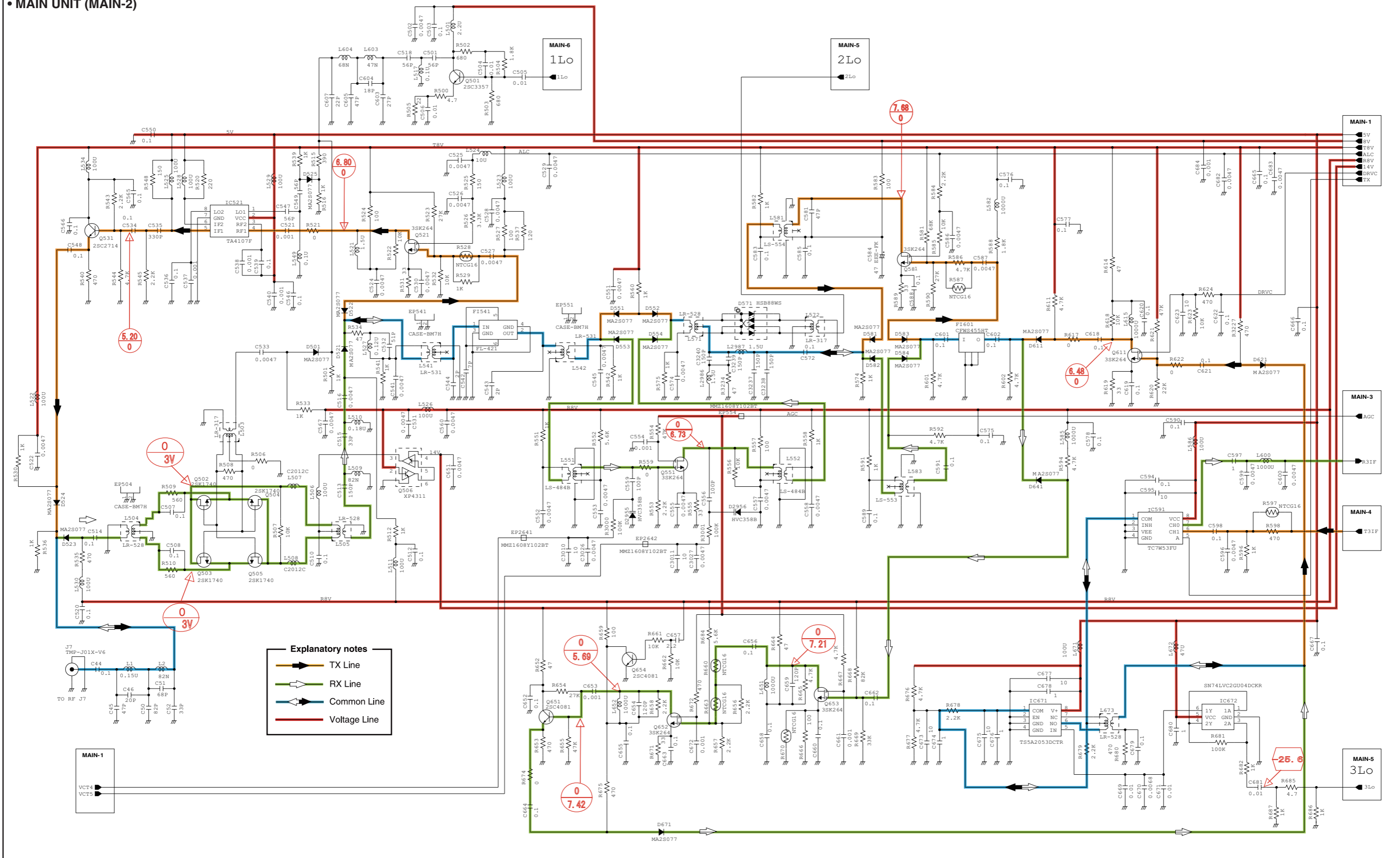
• MAIN UNIT (MAIN-1)



TEMP	RX	TX
2.00V	Less than 0V	2.15V
2.00V~2.60V	Less than 2.15V	2.79V
2.60V~2.90V	Less than 2.79V	3.30V
2.90V~	3.30V	3.30V

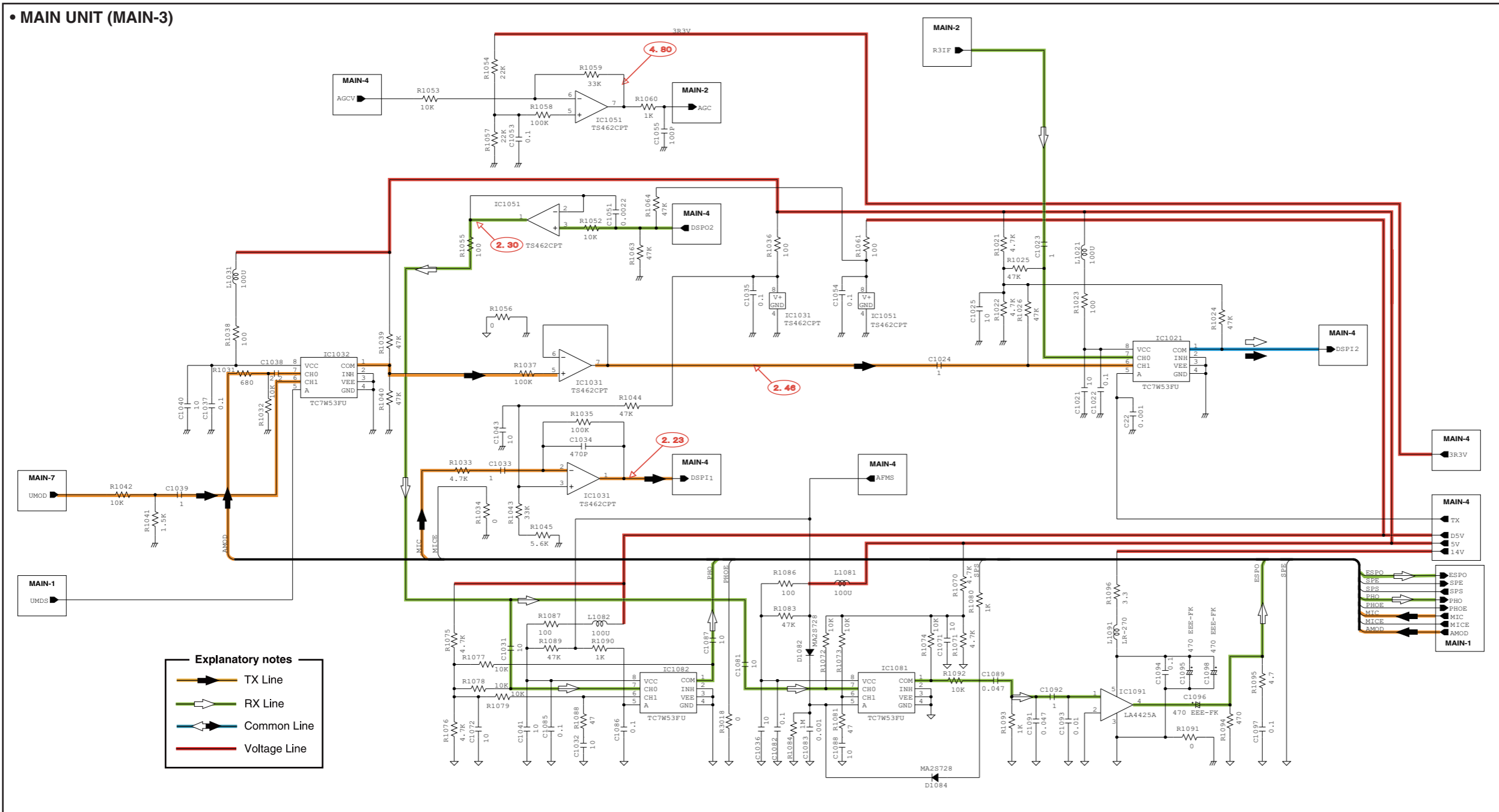
\*; Refer to "PARTS LIST."

• MAIN UNIT (MAIN-2)



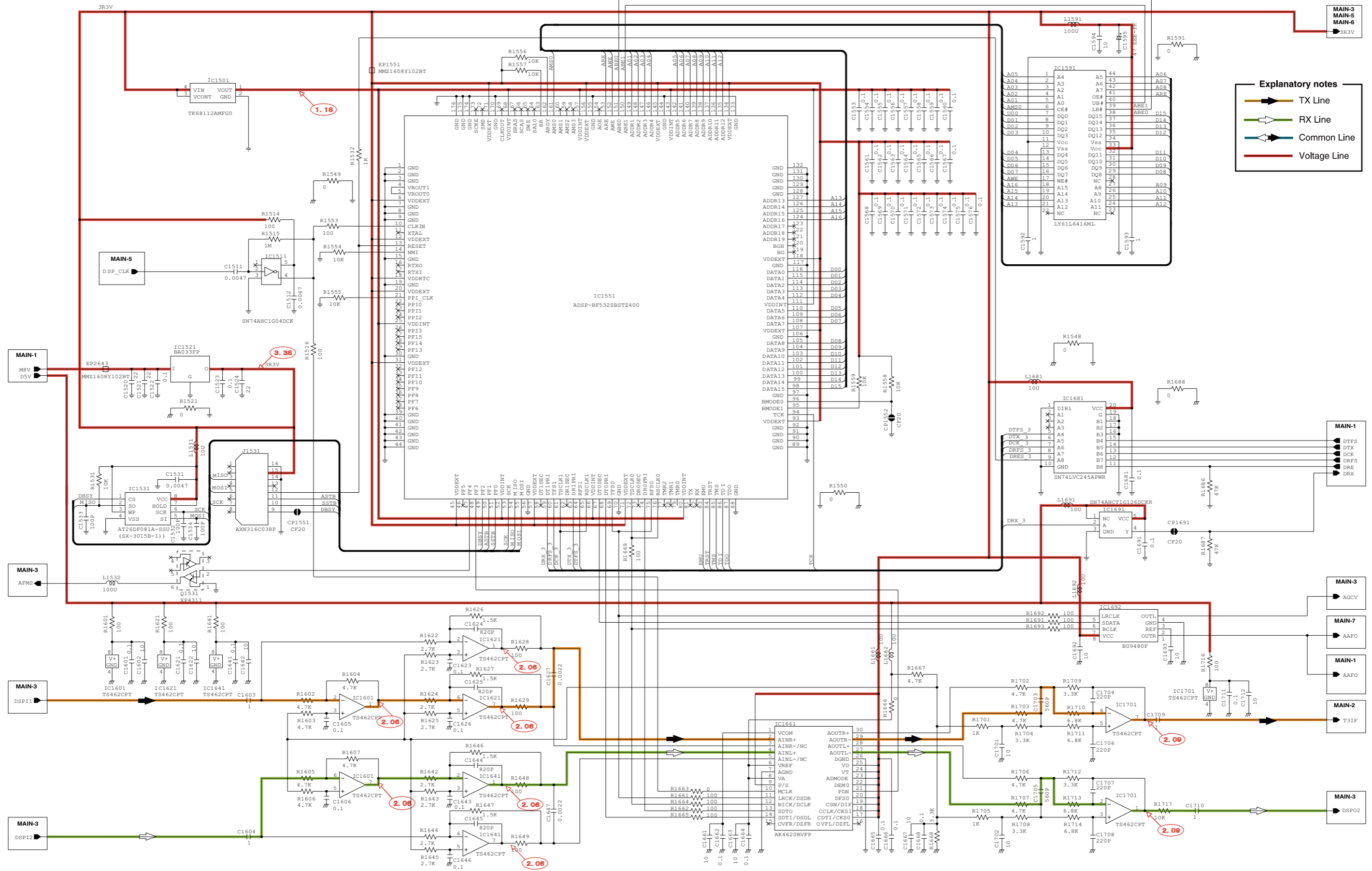
\*; Refer to "PARTS LIST."

• MAIN UNIT (MAIN-3)



\*; Refer to "PARTS LIST."

• MAIN UNIT (MAIN-4)

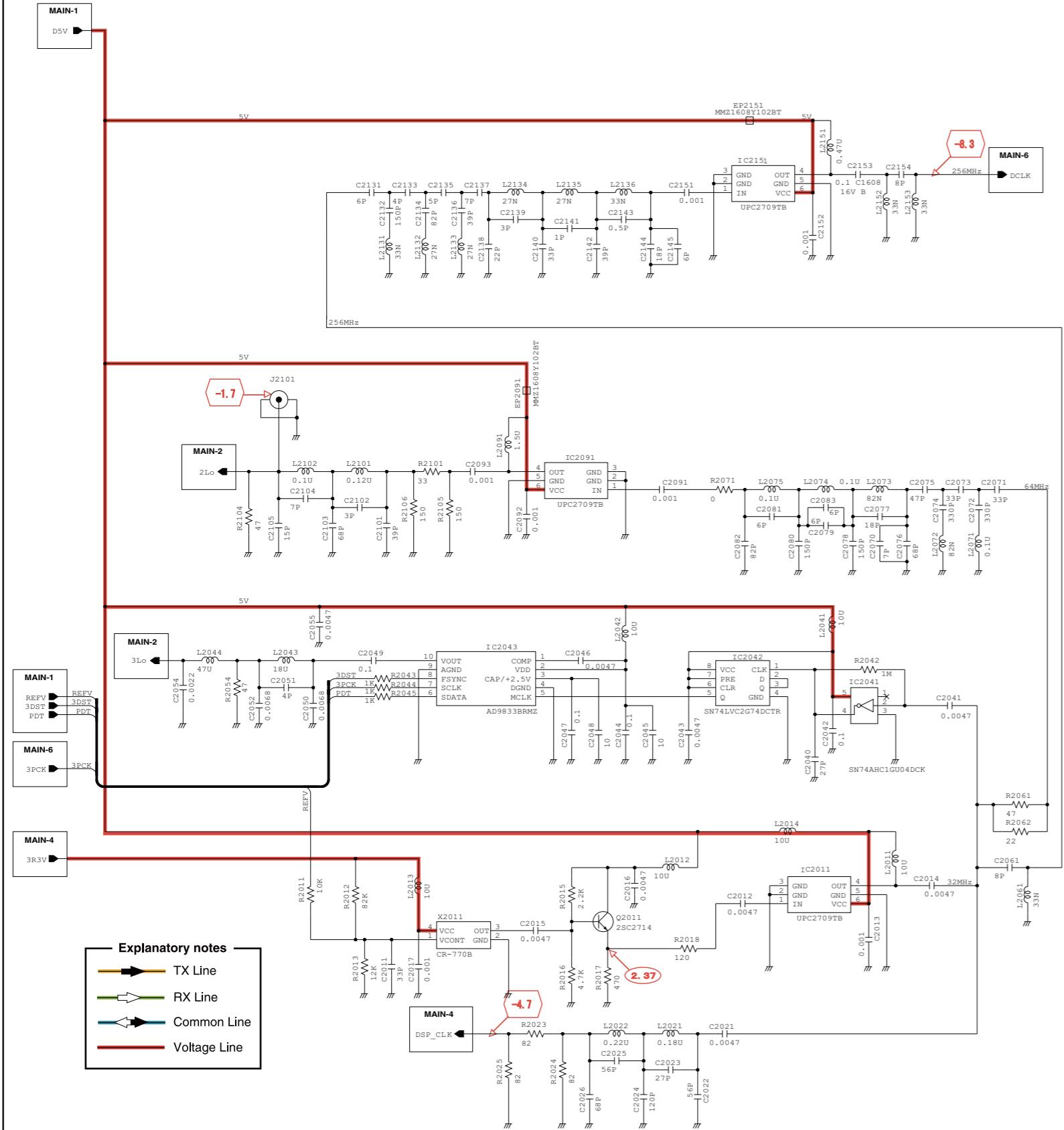


**Explanatory notes**

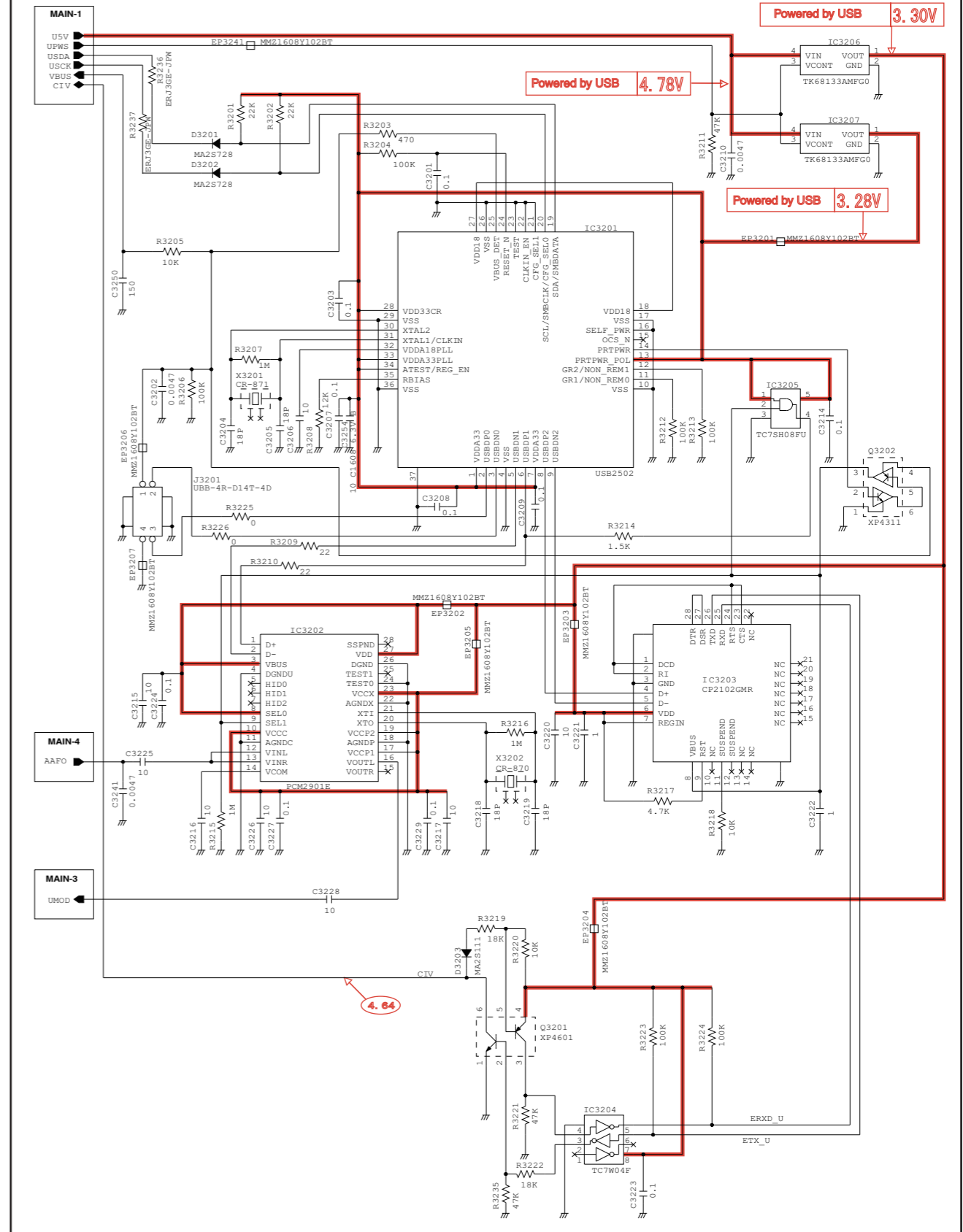
- TX Line
- RX Line
- Common Line
- Voltage Line

\*; Refer to "PARTS LIST."

• MAIN UNIT (MAIN-5)

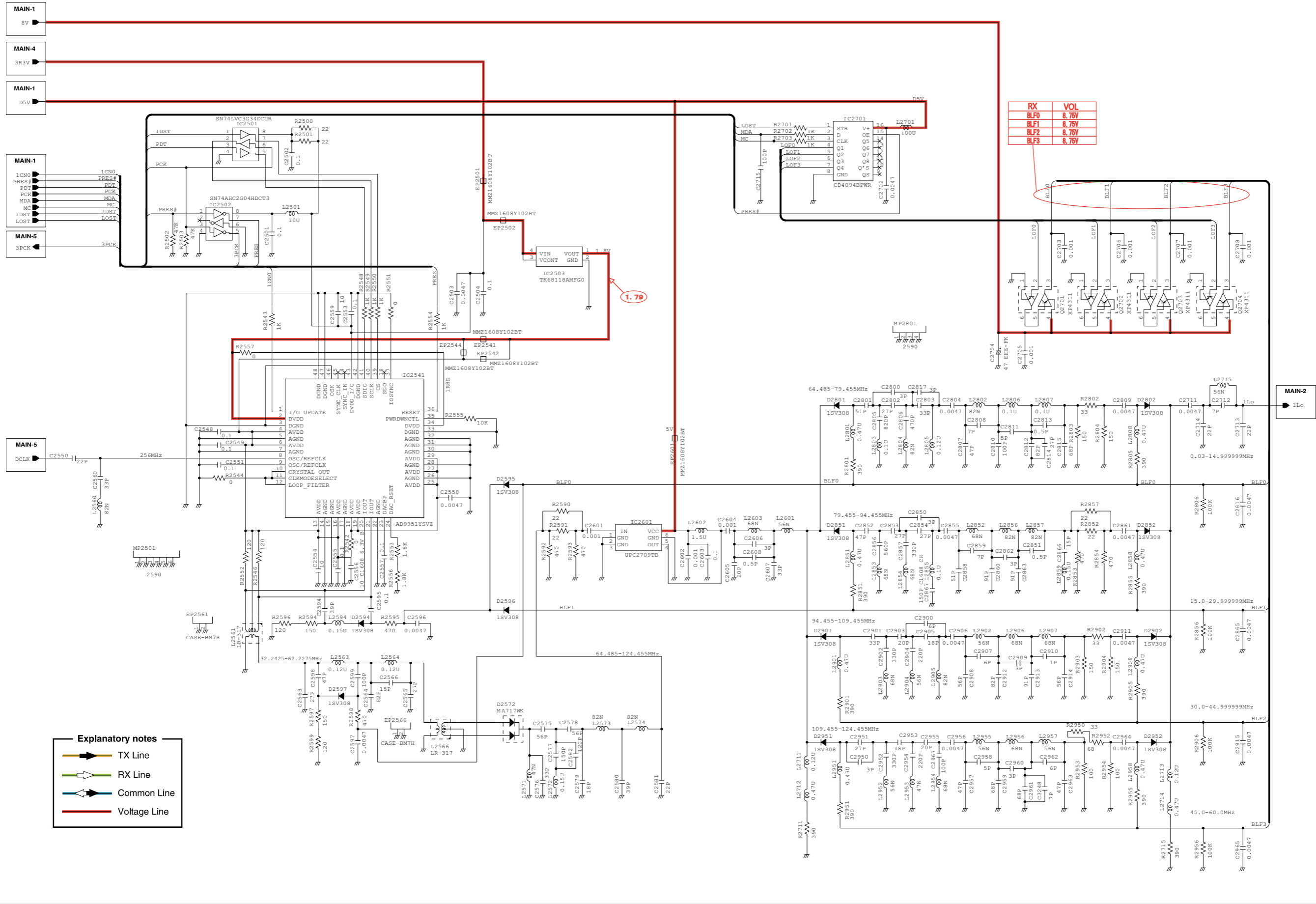


• MAIN UNIT (MAIN-6)



\*; Refer to "PARTS LIST."

• MAIN UNIT (MAIN-7)

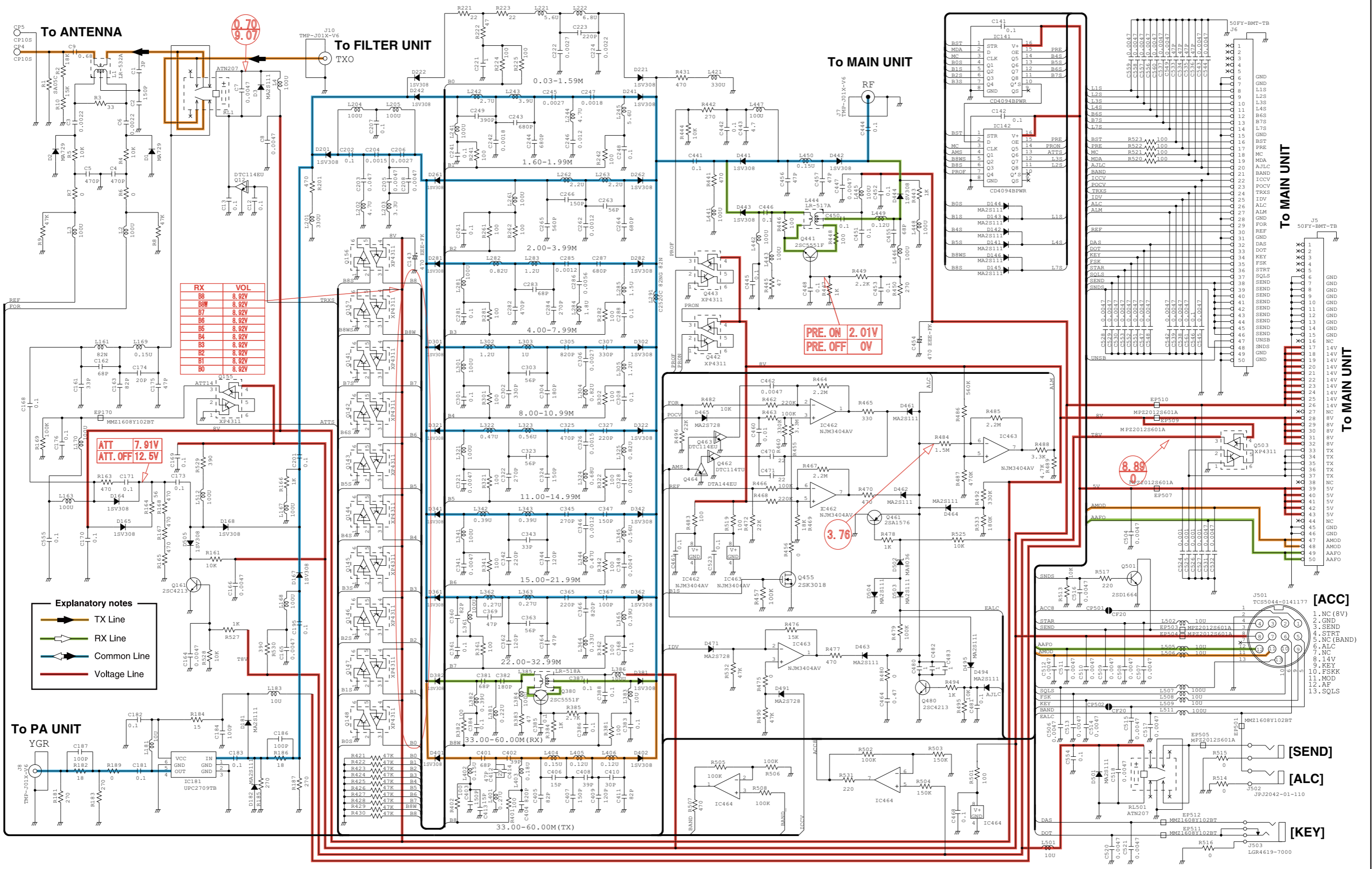


**Explanatory notes**

- TX Line
- RX Line
- Common Line
- Voltage Line

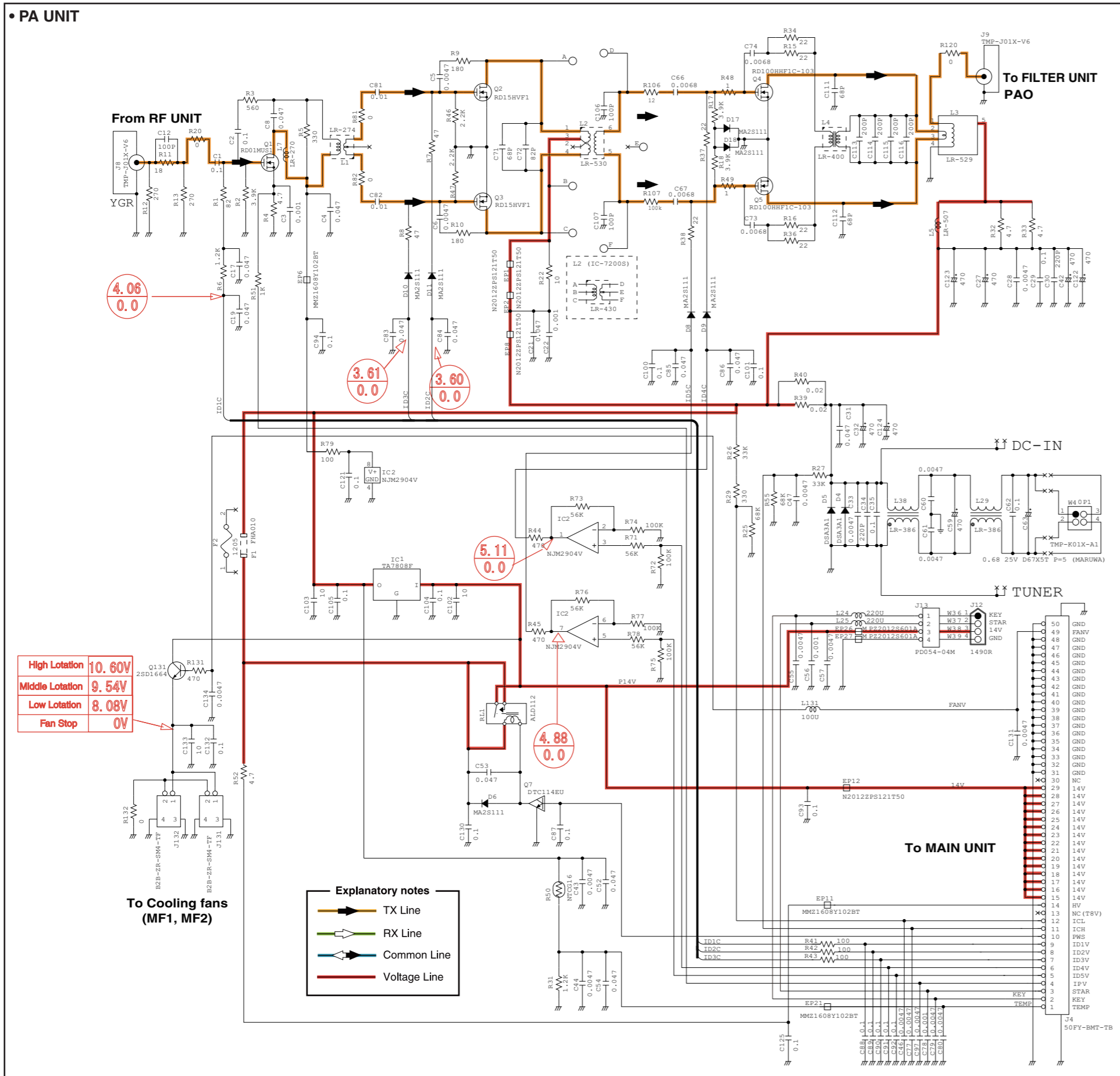
\*; Refer to "PARTS LIST."

• RF UNIT



\*; Refer to "PARTS LIST."

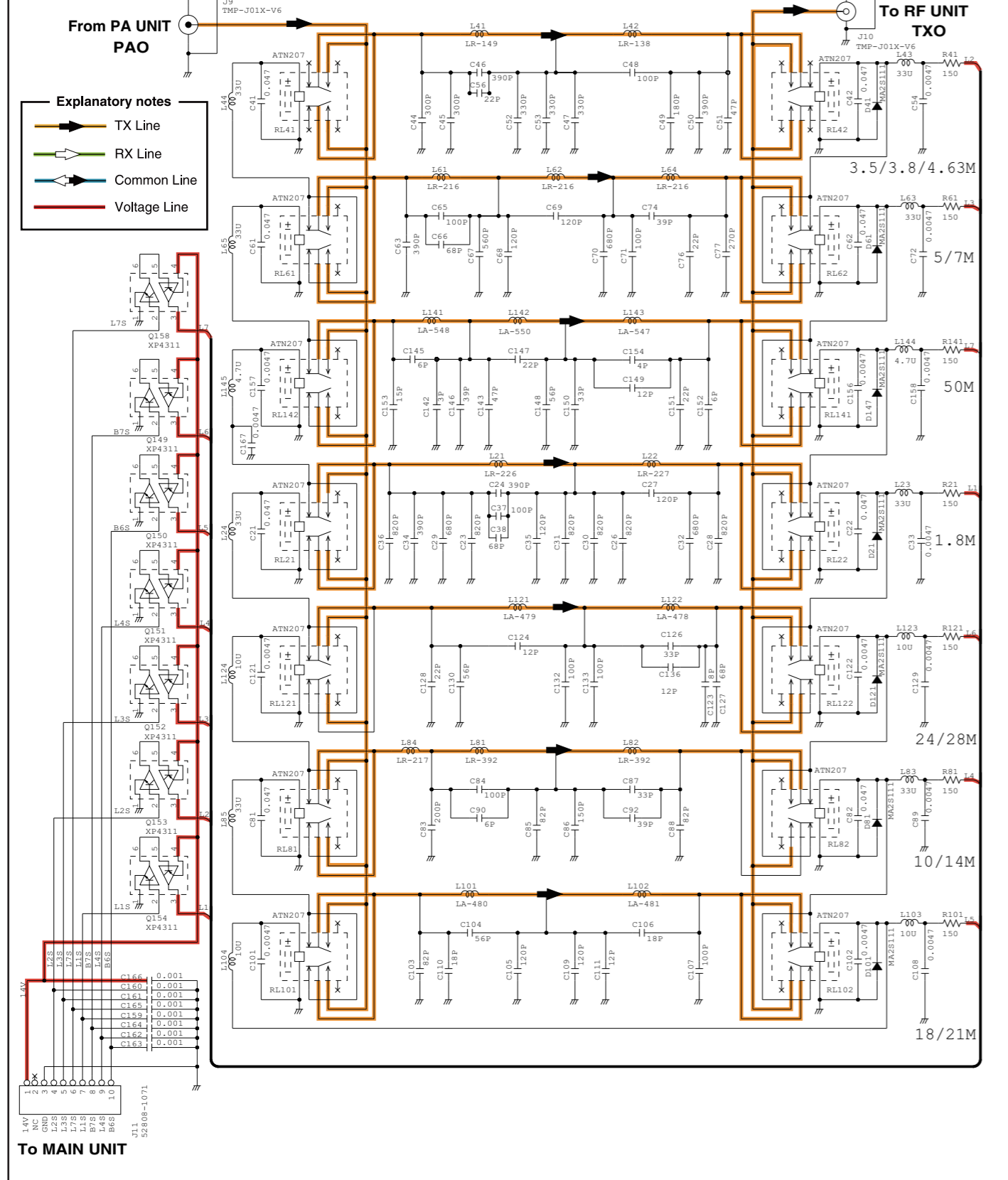
• PA UNIT



\*; Refer to "PARTS LIST."



• FILTER UNIT



\*, Refer to "PARTS LIST."



# SERVICE MANUAL

HF/50MHz TRANSCEIVER

# IC-7200

---

---

---

---

---

S-14513XZ-C1  
Oct. 2008

Icom Inc.

---

## INTRODUCTION

This service manual describes the latest technical information for the **IC-7200 HF/50MHz TRANSCEIVER** at the time of publication.

MODEL	VERSION	BAND	CARRIER POWER
IC-7200	[USA]	HF/50 MHz	100 W
	[EUR]		
	[FRA]		
	[ITR]		
	[ESP]		
	[EUR-01]		
	[KOR]		
	[CHN]		
[EXP]			

To upgrade quality, any electrical or mechanical parts and internal circuits are subject to change without notice or obligation.

## CAUTION

**NEVER** connect the transceiver to an AC outlet or to a DC power supply that uses more than specified. This will ruin the transceiver.

**DO NOT** expose the transceiver to rain, snow or any liquids.

**DO NOT** reverse the polarities of the power supply when connecting the transceiver.

**DO NOT** apply an RF signal of more than 20 dBm (100 mW) to the antenna connector. This could damage the transceiver's front-end.

### UNIT ABBREVIATIONS:

F:	FRONT UNIT
C:	CHASSIS
M:	MAIN UNIT
L:	LOGIC UNIT
MC:	MIC BOARD
PA:	PA UNIT
RF:	RF UNIT
FIL:	FILTER UNIT
VA:	VR-A BOARD
VB:	VR-B BOARD
PH:	PHONE BOARD



## ORDERING PARTS

Be sure to include the following four points when ordering replacement parts:

1. 10-digit Icom parts numbers
2. Component name
3. Equipment model name and unit name
4. Quantity required

### <ORDER EXAMPLE>

1110003491	S.IC	TA31136FNG	IC-7200	MAIN UNIT	5 pieces
8820001210	Screw	2438 screw	IC-7200	Top cover	10 pieces

Addresses are provided on the inside back cover for your convenience.

## REPAIR NOTES

1. Make sure the problem is internal before disassembling the transceiver.
2. **DO NOT** open the transceiver until the transceiver is disconnected from its power source.
3. **DO NOT** force any of the variable components. Turn them slowly and smoothly.
4. **DO NOT** short any circuits or electronic parts. An insulated tuning tool **MUST** be used for all adjustments.
5. **DO NOT** keep power ON for a long time when the transceiver is defective.
6. **DO NOT** transmit power into a Standard Signal Generator or a Sweep Generator.
7. **ALWAYS** connect a 50 dB to 60 dB attenuator between the transceiver and a Deviation Meter or Spectrum Analyzer when using such test equipment.
8. **READ** the instructions of test equipment thoroughly before connecting a test equipment to the transceiver.

Icom, Icom Inc. and ICOM logo are registered trademarks of Icom Incorporated (Japan) in the United States, the United Kingdom, Germany, France, Spain, Russia and/or other countries.

---

## CONTENTS

---

### SECTION 1 SPECIFICATIONS

### SECTION 2 INSIDE VIEWS

### SECTION 3 CIRCUIT DESCRIPITON

3-1	RF UNIT.....	3-1
3-2	MAIN UNIT.....	3-2
3-3	PA UNIT.....	3-3
3-4	FILTER UNIT.....	3-3
3-5	VOLTAGE BLOCK DIAGRAM.....	3-4
3-6	PORT ALLOCATIONS.....	3-5

### SECTION 4 ADJUSTMENT PROCEDURES

4-1	PREPARATION.....	4-1
4-2	ADJUSTMENT.....	4-3

### SECTION 5 PARTS LIST

### SECTION 6 MECHANICAL PARTS

### SECTION 7 BOARD LAYOUTS

LOGIC UNIT.....	7-1
VR-A BOARD.....	7-1
VR-B BOARD.....	7-1
MIC BOARD.....	7-1
PHONE BOARD.....	7-1
RF UNIT.....	7-3
MAIN UNIT.....	7-3
FILTER UNIT.....	7-5
PA UNIT.....	7-5

### SECTION 8 GENERAL WIRING

### SECTION 9 BLOCK DIAGRAM

### SECTION 10 SCHEMATIC DIAGRAM

LOGIC UNIT.....	10-1
VR-A BOARD.....	10-1
VR-B BOARD.....	10-1
MIC BOARD.....	10-1
PHONE BOARD.....	10-1
MAIN UNIT.....	10-3
RF UNIT.....	10-9
PA UNIT.....	10-10
FILTER UNIT.....	10-11

## ■ General

- Frequency coverage :
  - Receive  
30 kHz–60.000000 MHz\*1\*2
  - Transmit  
1.800–1.999999 MHz\*2, 3.500–3.999999 MHz\*2  
5.33050\*3, 5.34650\*3, 5.36650\*3,  
5.37150\*3, 5.40350\*3,  
7.000–7.300 MHz\*2, 10.100–10.150 MHz,  
14.000–14.350 MHz, 18.068–18.168 MHz,  
21.000–21.450 MHz, 24.890–24.990 MHz,  
28.000–29.700 MHz, 50.000–54.000 MHz\*2,  
\*1Some frequency bands are not guaranteed.  
\*2Depending on version. \*3USA version only.
- Mode : SSB, CW, RTTY, AM
- Number of memory CH : 201 (split memory: 199; scan edges: 2) channels
- Antenna connector : SO-239
- Antenna impedance : 50 Ω (unbalanced)
- Usable temperature range : –10°C to +60°C (+14°F to +140°F)
- Frequency stability : Less than ±0.5 ppm
- Power supply requirement : 13.8 V DC±15% (negative ground)
- Current drain (at 13.8 V DC) : Transmit (at 100 W) 22 A  
Receive squelched 1.3 A  
max. audio 2.0 A
- Dimensions : 241(W) × 84(H) × 281(D) mm,  
(projections not included) 9½(W) × 3⅝(H) × 11¼(D) in
- Weight (approx.) : 5.5 kg (12.1 lb)
- CI-V connector : 2-conductor 3.5 (d) mm (⅛")
- ACC connector : 13-pin

## ■ Transmitter

- Output power
  - SSB, CW, RTTY : 2–100 W
  - AM : 1–25 W\* (\*Carrier power)
- Modulation system
  - SSB : Digital PSN modulation
  - AM : Digital Low power modulation
- Spurious emissions
  - HF bands : Less than –50 dB
  - 50 MHz band : Less than –63 dB
- Carrier suppression : More than 50 dB
- Unwanted sideband : More than 50 dB
- Microphone connector : 8-pin connector (600 Ω)
- KEY connector : 3-conductor 6.3 (d) mm (¼")

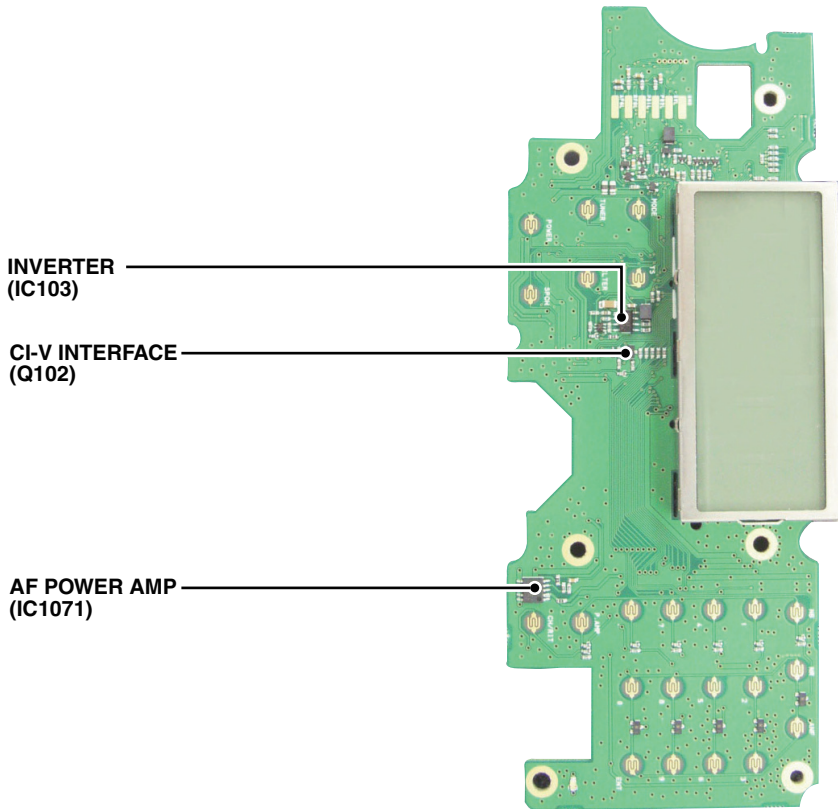
## ■ Receiver

- Receive system : Triple-conversion superheterodyne
- Intermediate frequencies
  - 1st : 64.455 MHz
  - 2nd : 455 kHz
  - 3rd : 15.625 kHz
- Sensitivity (10dB S/N, preamp: ON, Filter shape: sharp)
  - SSB, CW : Less than 0.16 μV  
(1.8–29.7 MHz)  
Less than 0.13 μV  
(50 MHz band)
  - AM : Less than 13 μV  
(0.5–1.799 MHz)  
Less than 2 μV  
(1.8–29.7 MHz)  
Less than 1 μV  
(50 MHz band)
- Squelch sensitivity (SSB, threshold, preamp ON) : Less than 5.6 μV
- Selectivity
  - SSB\* (BW=2.4 kHz) : More than 2.4 kHz/–6 dB  
Less than 3.6 kHz/–60 dB
  - CW\* (BW=500 Hz) : More than 500 Hz/–6 dB  
Less than 900 Hz/–60 dB
  - RTTY (BW=350 Hz) : More than 360 Hz/–6 dB  
Less than 650 Hz/–60 dB
  - AM (BW=6 kHz) : More than 6.0 kHz/–6 dB  
Less than 15.0 kHz/–60 dB  
\*IF filter shape is set to SHARP.
- Spurious and image rejection ratio : More than 70 dB  
(except ½ IF through on 50 MHz band)
- Audio output power : More than 2.0 W at 10% distortion with an 8 Ω load (at 13.8 V DC)
- RIT variable range : ±9.999 kHz
- PHONES connector : 3-conductor 6.3 (d) mm (¼")/8 Ω
- EXT SP connector : 2-conductor 3.5 (d) mm (⅛")/8 Ω

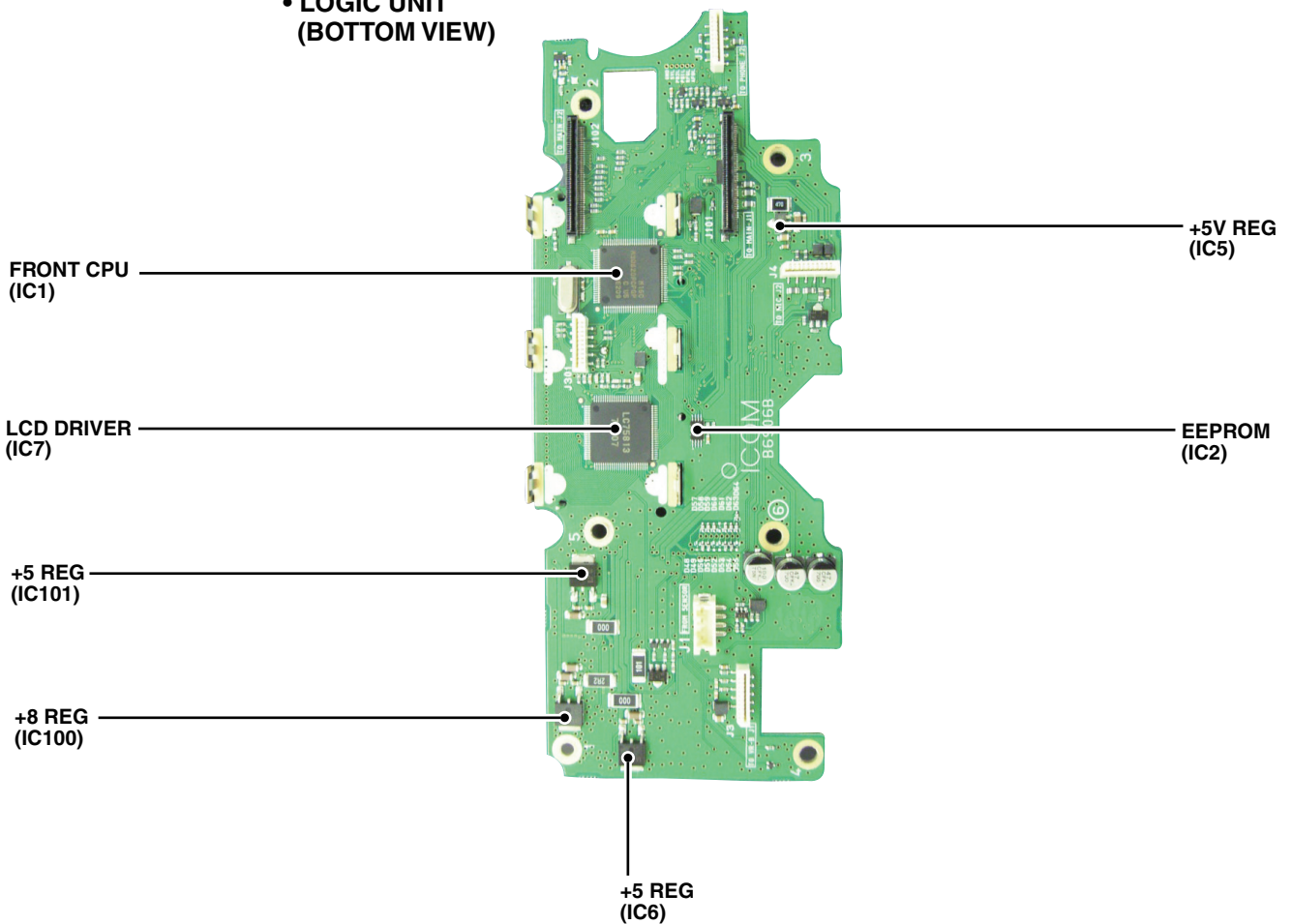
# SECTION 2

# INSIDE VIEW

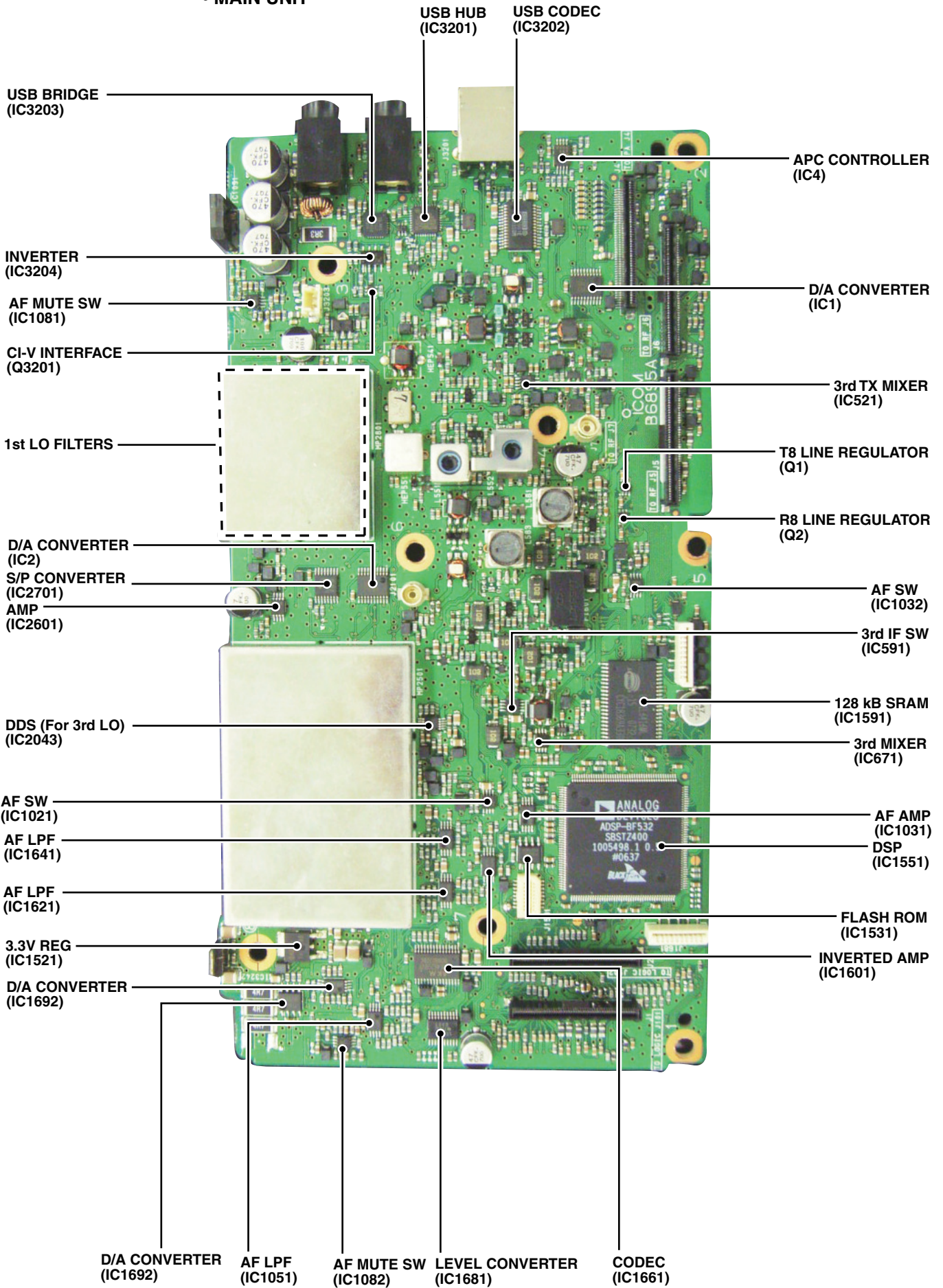
## • LOGIC UNIT (TOP VIEW)



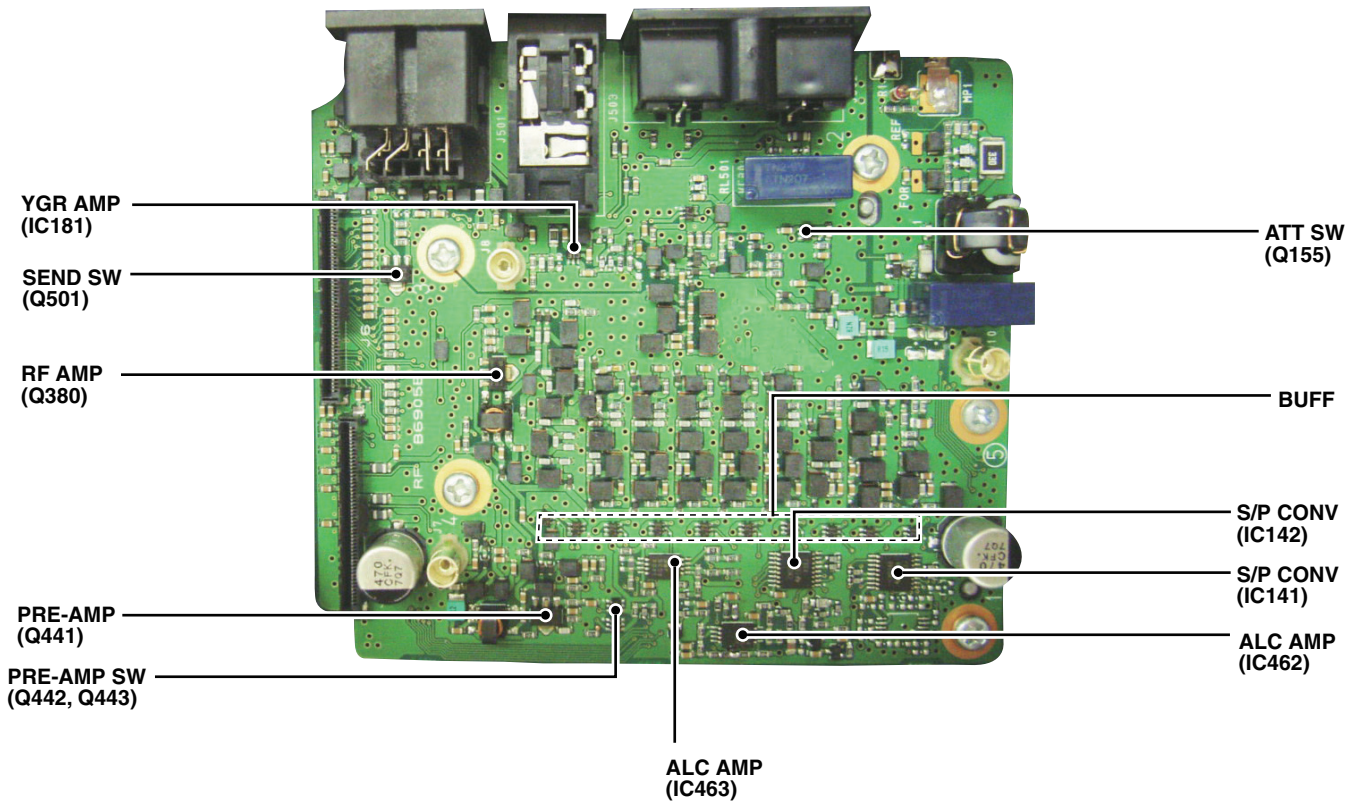
## • LOGIC UNIT (BOTTOM VIEW)



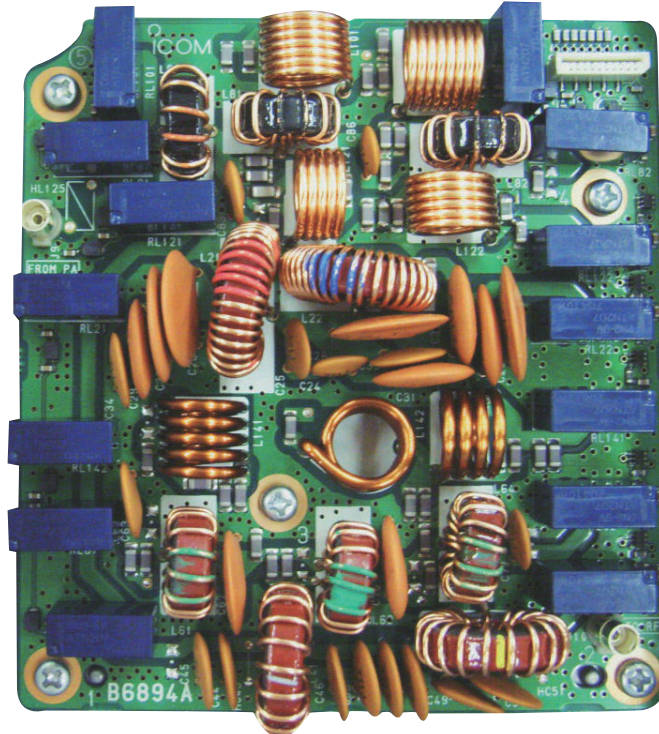
• MAIN UNIT



• RF UNIT

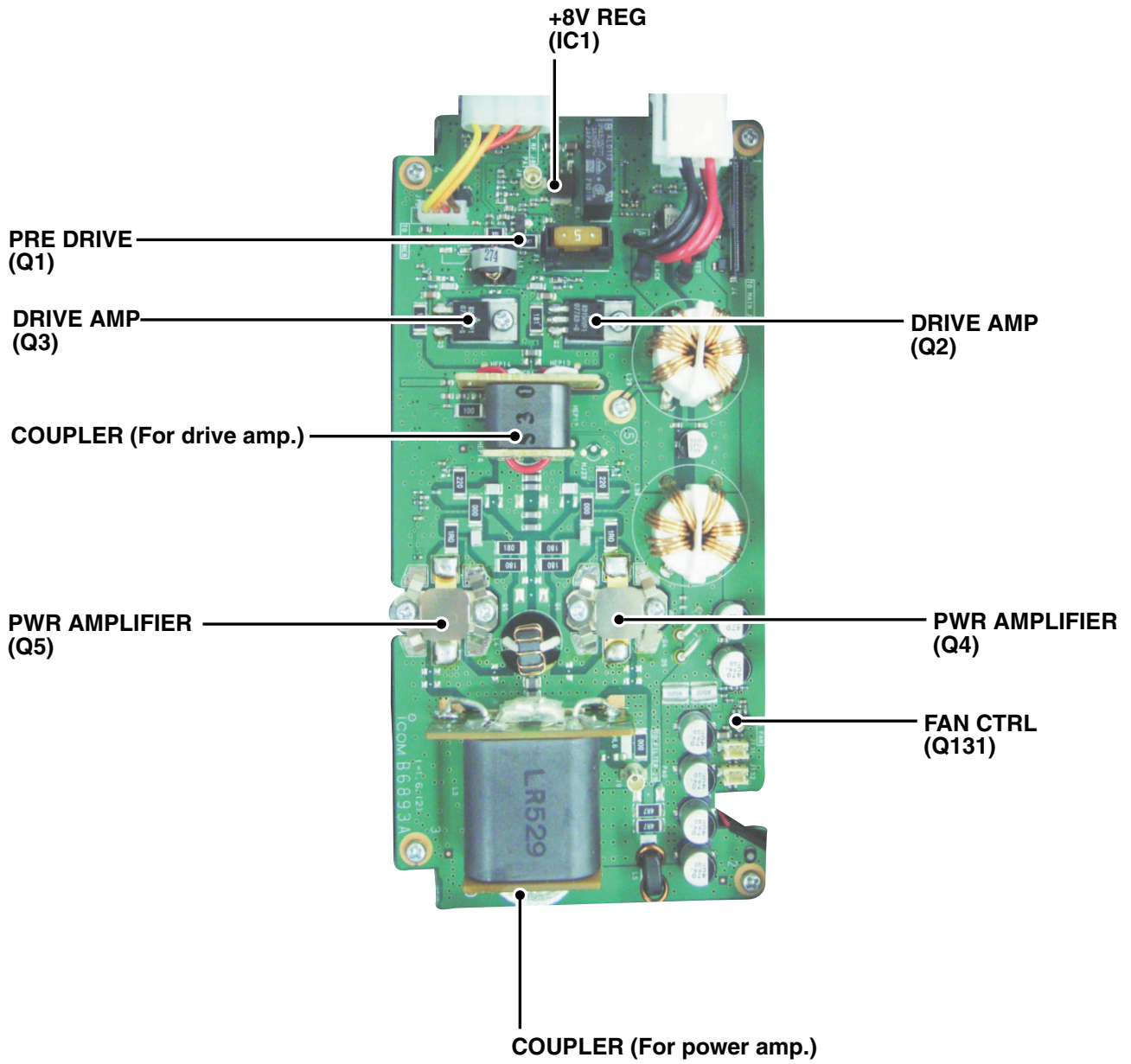


• FILTER UNIT





• PA UNIT



## 3-1 RF UNIT

The RF UNIT is composed by BPFs for both TX and RX, attenuator and pre-AMP for RX line, YGR AMP, SWR detect circuit and ALC circuit for TX line.

### • TX/RX SW

RL1 connects the RX/TX circuit to the antenna connector according to the operation (receiving/transmitting).

While receiving, RL1 connects the antenna connector and the attenuator through the LPF. While transmitting, RL1 connects the antenna connector and J10 which guides the TX signal from the FILTER UNIT.

### • ATTENUATOR (ATT)

The attenuator is composed of D164, D165, R163 and R164.

While the ATT function is inactivated, D164 turns ON and D165 turns OFF to apply the RX signals to next RX stage via D164 without attenuation.

While the ATT function is activated, D164 turns OFF and D165 turns ON and the RX signals are divided by R163 and R164 for 20 dB of attenuation.

### • BPF

The RX signals from the ATT are passed through one of 9 BPFs. The BPF for MF band contains an attenuator to prevent the saturation caused by strong RX signals. The BPF for 50 MHz band contains a pre-AMP (Q380) to make up the loss for high sensitivity.

These BPFs are commonly used in TX and RX, but exclusive BPF for 50 MHz TX is also equipped to secure the transmit signal path for 50 MHz.

### • PRE-AMP

While the pre-amp. function is activated, the RX signals from the BPF are applied to the noiseless feedback AMP (Q441). This AMP provides low-noise, high RF gain and good IP characteristic. The amplified RX signals are entered to the MAIN UNIT via J7.

### • YGR AMP

While TX, the transmit signal (YGR signal) is entered to the MAIN UNIT via J7. The transmit signal is by-passed the pre-AMP and passed through one of BPFs, and amplified to the level required in PA UNIT by IC181, then output through J8.

### • SWR DETECT CIRCUIT

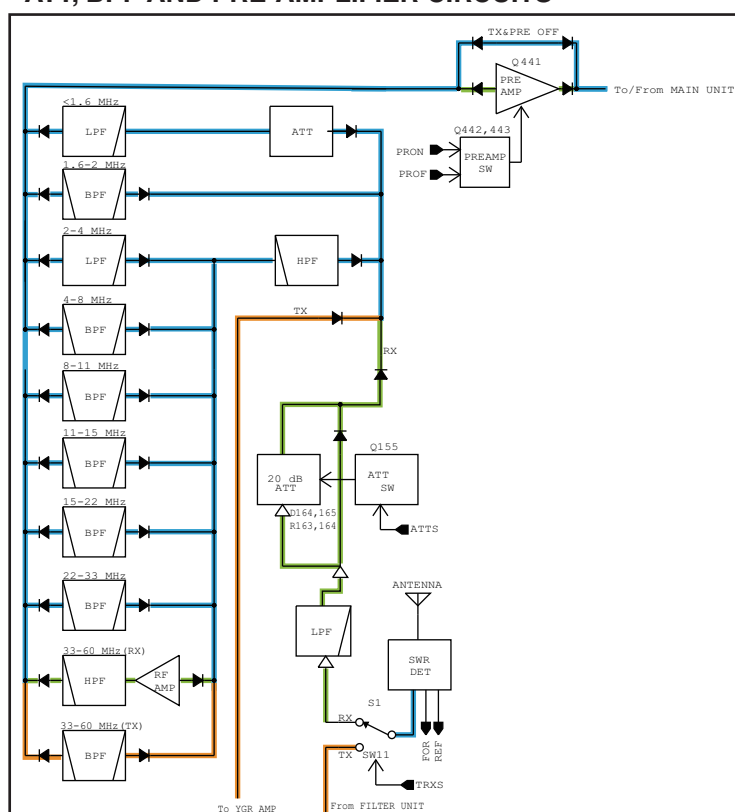
The TX signal which is amplified to the output power level in the PA UNIT is entered to the RF UNIT via J10. The TX signal is passed through the TX/RX SW (RL1) and the SWR detect circuit (L1), then fed to the antenna connector. The detected forward and reflected signals are rectified by D1 and D2 to be converted into DC voltage.

### • ALC CIRCUIT

The detected forward signal is applied to IC462 and compared with TX power setting voltage "POCV" which is supplied from the CPU (voltage is differ according to the TX output power), and the resulting voltage controls the TX power according to the setting.

The ALC voltage is also used for two APC circuits. One is the SWR APC circuit which is controlled by reflected voltage "REF", another is ID APC circuit which is controlled by driving current of the power amplifier.

## - ATT, BPF AND PRE-AMPLIFIER CIRCUITS -



### 3-2 MAIN UNIT

The MAIN UNIT is the core of IC-7200.

#### • RF INPUT/OUTPUT

The RX signals from the RF UNIT are passed through the LPF and D523, then applied to the 1st mixer.

The TX signal from the YGR AMP is passed through D524 and LPF, then output to RF UNIT via J7.

#### • RX IF CIRCUIT

Q502, Q503, Q504 and Q505 (these are junction FETs) compose a quad-structured 1st mixer circuit, and provides high enough intercept point. RX signals are mixed with the 1st LO signals from the 1st LO AMP (Q501) to be converted into the 64.455 MHz 1st IF signal. The 1st IF signal is filtered by the roofing filter (FI541) to remove the RX frequency signal and 1st LO signals, and amplified by the 1st IF AMP (Q551).

The amplified 1st IF signal is applied to the 2nd mixer (D571) to be converted into the 455 kHz 2nd IF signal. A double balanced mixer is adopted to the 2nd mixer and is used for both TX and RX.

The 2nd IF signal is filtered by FI601 and amplified by Q653, Q652, Q651, then applied to the 3rd mixer (IC671). The 3rd mixer operated by switching SPDT switch using LO signal, and commonly used in TX and RX. The converted 15.625 kHz 3rd IF signal is applied to the DSP section.

#### • RX AF CIRCUIT

The 3rd RX IF signal is demodulated, audio level-adjusted and squelch-controlled in the DSP, then directly applied to the AF AMP.

IC1091 is an exclusive AF AMP for driving internal speaker.

While a headphone is connected, IC1081 cuts the input line of IC1091 off. For the headphone operation, an extra AF output line connected to the FRONT UNIT is available.

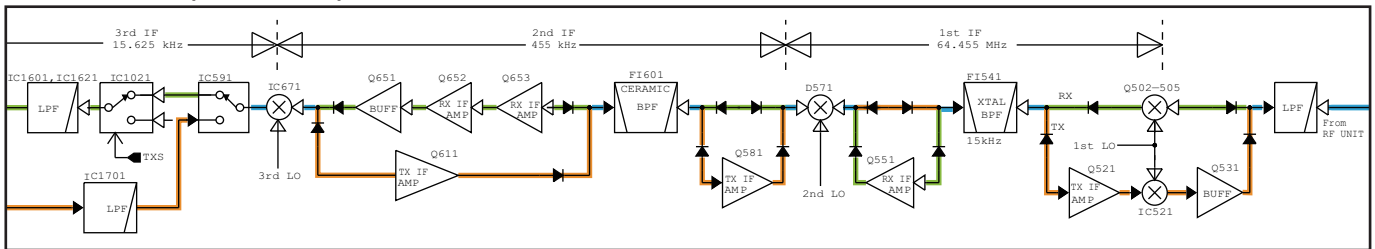
#### • MICROPHONE AMP CIRCUIT

The MIC signals from the FRONT UNIT are amplified by IC1031 and are applied to the DSP. The TX audio signals (MIC signals) are processed completely in the DSP (MIC gain adjust, compression, etc.) entirely, thus no analog circuits are required in this stage.

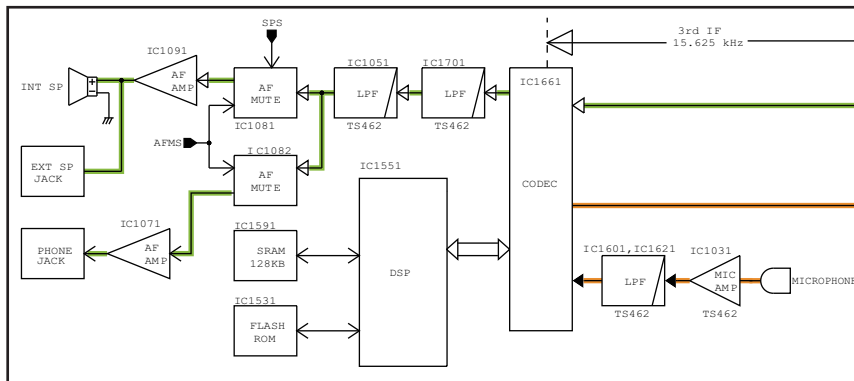
#### • TX IF CIRCUIT

The 15.625 kHz TX IF signal from the DSP section is converted into the 455 kHz TX IF signal by IC571, then amplified by the IF AMP (Q611). The amplified signal is filtered by FI601 to remove unwanted signals and amplified by Q581, then converted into the 64.455 MHz TX IF signal by D571, filtered by FI541 for unwanted signal removal. The 64.455 MHz signal is then amplified by Q521, and mixed with the 1st LO signals from the 1st LO AMP (Q501) by IC521 to be converted into the TX frequency. The converted signal is amplified by Q531 and applied to the YGR AMP.

#### - IF CIRCUITS (RX AND TX) -



#### - AF CIRCUITS (RX AND TX) -



**• 1st LO GENERATOR CIRCUIT**

DDS circuit is employed for LO signal generation; no PLL circuit is used with the IC-7200. This provides extremely high frequency stability against temperature and vibration.

The 32 MHz reference frequency signal from the TCXO (X2011) is buffer-amplified by Q2011 and amplified by IC2011. The 8th harmonic component (256 MHz) in the 32 MHz reference frequency signal is extracted and amplified by IC2151 to the level needed for the DDS. The amplified 256 MHz reference signal is applied to the DDS (IC2541) as the master clock signal.

The 32.2425–64.2275 MHz signals are output from the DDS, and doubled by D2572. The doubled signals are used as the 1st LO frequencies. The 1st LO signals are amplified by IC2601, filtered by the appropriate BPF to remove unwanted frequency components, then applied to the 1st LO AMP.

**• OTHER LO GENERATOR CIRCUIT**

The 32 MHz reference signal is also used for the another DDSs of 2nd and 3rd LO signal generation, as well as the DSP.

The 32 MHz reference signal from IC2011 is adjusted its wave form, and divided by two by IC2042, then the divided reference signal (16 MHz) is applied to the DDS (IC2043) as the master clock signal. The DDS outputs 439.375 kHz signal as the 3rd LO.

The doubled reference signal (64 MHz) signal is amplified by IC2091, and used as the 2nd LO.

**• FREQUENCY CONFIGURATION**

IF Signal	Frequency	LO Signal	Frequency
1st RX IF	64.455 MHz	1st RX LO	64.485–124.455 MHz
2nd RX IF	455 kHz	2nd RX LO	64.000 MHz
3rd RX IF	15.625 kHz	3rd RX LO	439.375 kHz
3rd TX IF	15.625 kHz	3rd TX LO	439.375 kHz
2nd TX IF	455 kHz	2nd TX LO	64.000 MHz
1st TX IF	64.455 MHz	1st TX LO	64.485–124.455 MHz
TX signal	(*)	–	–

\*; Refer to "SPECIFICATIONS."

**• USB CONTROLLER**

By connecting the PC through the USB connector (J3202; type B), IC-7200 can be controlled by a PC. The communication with the PC is accomplished by connecting to the USB audio IC (IC3202) and UART bridge (IC3203) through the USB hub (IC3201).

IC3202 converts the analog AF signals into the digital audio signals (A/D conversion), and converts the digital audio signals from the PC into the analog AF signals (D/A conversion). IC3203 controls the transceiver from connected PC using CI-V commands.

**3-3 PA UNIT**

The PA UNIT is composed by power AMP which amplifies the YGR output signal from the RF UNIT to the TX output power, power supply line control circuits and cooling fan control circuit.

**• POWER AMP**

The TX signal from the RF UNIT is amplified by the pre-drive AMP (Q1) on the entire band (HF to 50MHz band). The amplified TX signal is passed through L1, and amplified by the push-pulled drive AMP (Q2, Q3). These AMPs (Q1 to Q3) are individually gain-adjusted so that the frequency characteristic of TX signal is flat one by feeding back the 180-degree phase-shifted signal.

The amplified TX signal from the drive AMP (Q2, Q3) is passed through L2 and applied to the power AMP (Q4, Q5). The TX signal is power-amplified to the 100 W (max.) of output power. The power-amplified TX signal is entered to the FILTER UNIT via J9, and passed through a BPF corresponds to the TX frequency.

**• POWER SUPPLY LINE**

When the power SW on the FRONT panel is pushed, Q7 turns RL1 ON and the 13.8 V DC is supplied to the "P14V" line.

**• COOLING FAN CONTROL CIRCUIT**

The cooling fan control circuit is also equipped on the PA UNIT. The cooling fan control voltage "FANV" is applied to the base terminal of Q131, and the change of the voltagage causes the rotation speed of cooling fan.

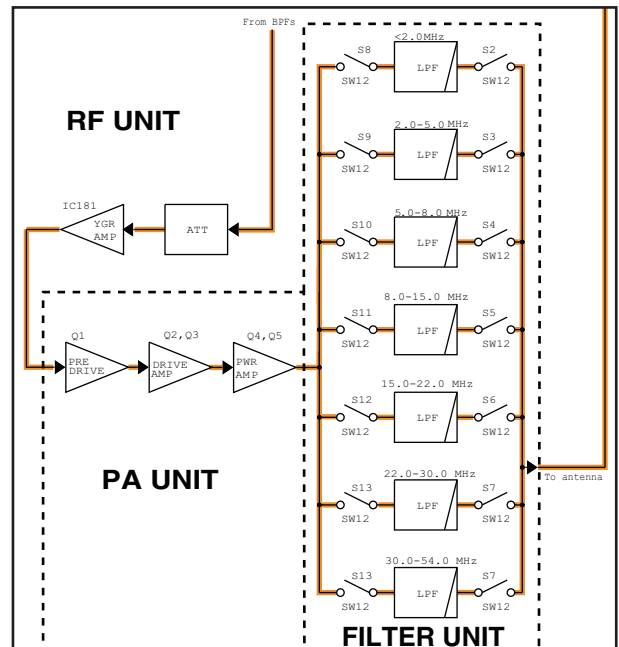
**3-4 FILTER UNIT**

The FILTER UNIT is composed by LPFs which reduces the harmonic components in the TX signal to be less than –50 dB.

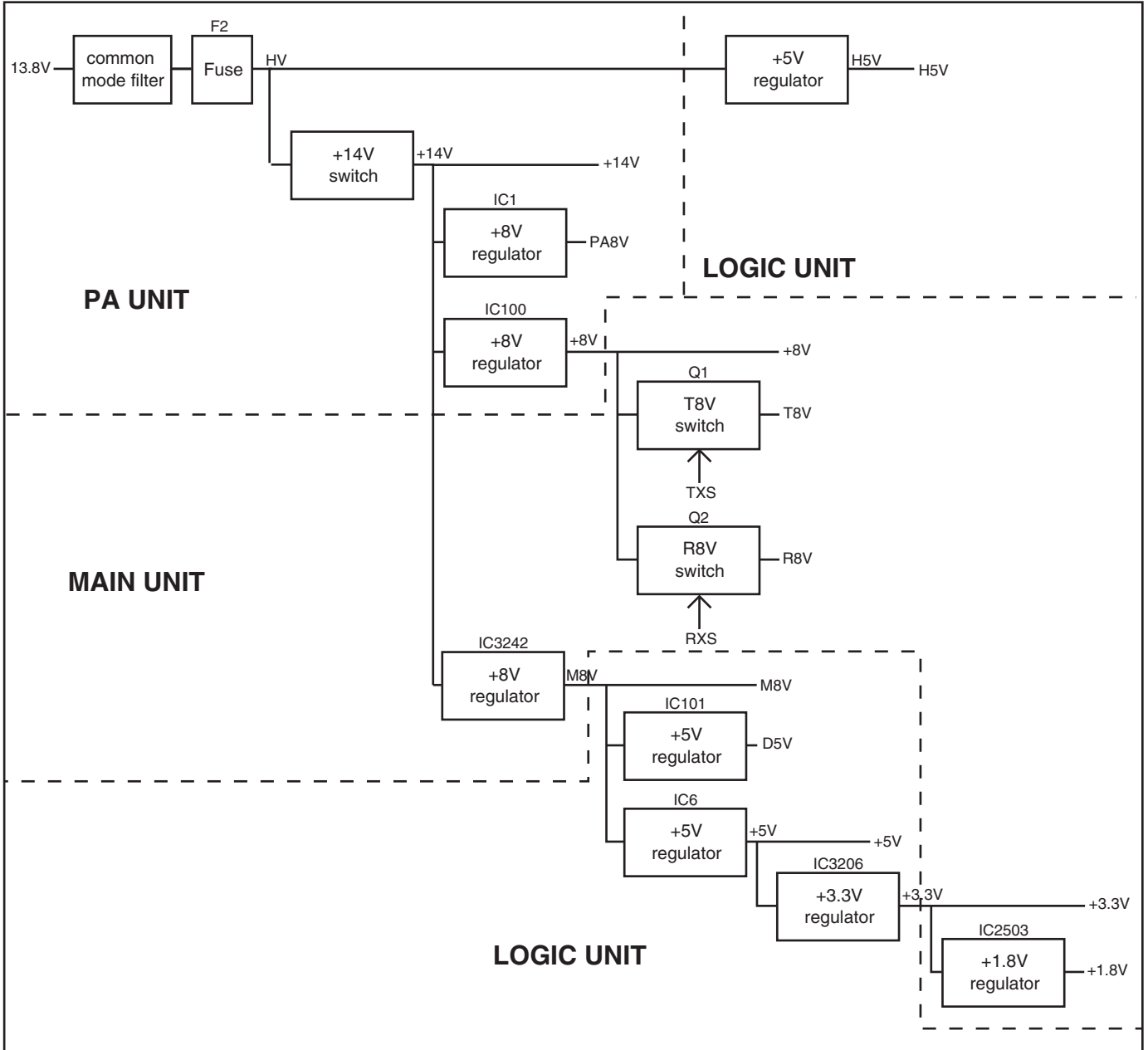
**• LPF**

The LPF stage is composed by seven Chebyshev-typed LPFs which have different cut-off frequencies. The TX signal passes through the one of 7 LPF according to the TX frequency. A switching relay is used for LPF selection on both input and output terminals for each LPF.

**- TX AMPLIFIERS AND LPFs -**



### 3-5 VOLTAGE BLOCK DIAGRAM



### 3-6 PORT ALLOCATIONS

#### • CPU (LOGIC UNIT: IC1)

PIN No.	LINE NAME	SIGNAL DESCRIPTION	I/O	ACTIVE		PULL-UP/ PULL-DOWN
1	DTFS	DSP data frame (TX)	O	H	–	–
2	DCK	DSP data clock	O	–	–	–
3	DRXS	DSP data (RX)	I	–	–	47 kΩ pull-down
4	DTXS	DSP data (TX)	O	–	–	–
5	DRESL	DSP reset	O	L	DSP reset=L	47 kΩ pull-down
6	BYTE	External bass width setting 16 bit=H, 8 bit=L, single chip=VSS	O	–	–	–
8	UPWS	USB HUB power supply control	O	H	USB turn ON=H	47 kΩ pull-down
9	UMDS	USB modulation input line control	O	H	USB side=H, ACC side=L	–
10	RESET	Reset signal	I	L	Reset	10 kΩ pull-up
16	EBUSY	CI-V buss busy input	I	–	edge interrupt	100 kΩ pull-up
17	VBUS	USB VBUS detect	I	H	USB connect	–
18	PWRK	[PWR] key input	I	L	L=ON	47 kΩ pull-up
19	BL2S	LCD back light DIMMER control	O	H	H: dark, L: bright	47 kΩ pull-up
20	BL1S	LCD back light DIMMER control	O	H	H: dark, L: bright	47 kΩ pull-up
21	USCK	USB HUB control (Clock)	O	L	data latch	–
22	USDA	USB HUB control (Data)	O	L	data=1	–
23	RSB	[M-CH/RIT] dial phase B input (10 pulse/20 click)	I	H	pulse (DOWN: phase B gain)	47 kΩ pull-up
24	RSA	[M-CH/RIT] dial phase A input (10 pulse/20 click)	I	H	pulse (UP: phase A gain)	47 kΩ pull-up
25	MSA	[DIAL] phase A input	I	–	–	220 kΩ pull-down
26	MSB	[DIAL] phase B input	I	–	H=down, L=up	220 kΩ pull-down
27	TKEY	Key signal for optional tuner	I	L	–	47 kΩ pull-up
28	TSTA	START signal for optional tuner	O	L	–	10 kΩ pull-up
33	ETXD	CI-V output (CLONE output)	O	H	–	100 kΩ pull-up
34	ERXD	CI-V input (CLONE input)	I	H	–	100 kΩ pull-up
35	ESCK	EEPROM Clock	O	L	data latch (output)	22 kΩ pull-up
36	ESDA	EEPROM Data	IO	L	–	10 kΩ pull-up
37	RITD	RIT LED	O	H	turn on	47 kΩ pull-down
38	TCON	Tuner connect detect	I	H	tunet connect	1 MΩ pull-down
40	DISEN	LCD OFF	O	L	L=turn on, H=turn off	100 kΩ pull-down
41	DISST	LCD driver serial chip enable	O	H	data transmitting	–
42	DISCK	LCD driver serial clock	O	–	data latch	–
43	DISDA	LCD driver serial data	O	H	data=1	–
45– 52	KR7– KR0	Key matrix input return	I	H	H: key pull down	47 kΩ pull-down
53	PWRS	Power control	O	H	power ON=H	47 kΩ pull-down
54	RXS	RX control	O	H	RX=H	47 kΩ pull-down
55	TXS	TX control	O	H	TX=H	47 kΩ pull-down
56	SNDS	External SEND control (via ACC socket)	O	L	except ACC SEND TX=L	47 kΩ pull-up
57	BSTB	Strobe for shift register of MAIN	O	H	data renewal	–
58	ASTB1	Strobe (1/2) for M62352GP (D/A)	O	H	data renewal	–
59	MCK	BAND relay system clock (shift register for RF, shift register for 1st LO filter)	O	–	data latch	–
61	MDAT	BAND relay system data (shift register for RF, shift register for 1LO filter)	O	H	data=1	–
63	ASTB2	Strobe (2/2) for M62352GP(D/A)	O	H	data renewal	–
64	1CN0	AD9951 (DDS for 1st LO) IO UPDATE	O	–	DDS output renewal	–
65	3DST	AD9833 (DDS for 3rd LO) strobe	O	L	data transmitting	–
66	1DST	AD9951 (DDS for 1st LO) strobe	O	L	data transmitting	–
67	MRESL	System reset (shift register for MAIN)	O	L	main system resetting =L	47 kΩ pull-down
68	PRESL	DDS system reset (shift register for 1st LO filter, AD9951)	O	L	DDS system resetting=L	47 kΩ pull-down

• CPU (LOGIC UNIT: IC1) (continued)

PIN No.	LINE NAME	SIGNAL DESCRIPTION	I/O	ACTIVE		PULL-UP/ PULL-DOWN
69	PDT	PLL+MAIN system data (M62352GP×2, AD9951, AD9833)	O	H	data=1	–
70	PCK	PLL+MAIN system clock (M62352GP×2, AD9951, AD9833)	O	–	data latch	–
71–75	KS0–KS4	Key matrix strobe output 0	O	H	H strobe subject of interrupt	–
76	SQSS	Squelch signal (SQLS) output via the [ACC/MIC] terminal	O	H	open (mute OFF)	47 kΩ pull-down
77	RTKI	Keying input for RTTY	I	H	H=SPACE (keying)	47 kΩ pull-up
78	MSNDS	External SEND control (via MIC jack)	O	H	transmitting (except MIC SEND)=H	47 kΩ pull-down
79	MNFL	Manual notch volume input	I	–	CCW=0 V, CW=5 V	–
80	DCVL	Power voltage loading	I	–	power voltage 5V convert	–
81	DOTK	DOT input (keying)	I	L	down=1.55 V, up=2.5 V	47 kΩ pull-up
82	DASK	DASH input (keying)	I	L	down=1.55 V, up=2.5 V	47 kΩ pull-up
83	IPD	Pre-driver current (sauce voltage) input	I	–	In proportional (Voltage vs Current)	–
84	IDL	Id (current) loading	I	–	In proportional (Voltage vs Current)	–
85	SNDL	SEND loading (from ACC socket)	I	L	Detect TX (less than 1.0 V)	–
86	ALML	ALC meter	I	–	0 (min)–5 V (max)	–
87	REFL	REF voltage (SWR detection)	I	–	0 (min)–5 V (max)	–
88	FORL	FOR voltafe (SWR detection)	I	–	0 (min)–5 V (max)	–
89	FANL	PA UNIT temperature (thermo-sensor)	I	–	0 (min)–5 V (max)	–
90	UDL	MIC UP/DOWN input	I	–	0–5 V	–
91	PB2L	[TWIN PBT] volume (outer)input	I	–	CCW=0 V, CW=5 V	–
92	PB1L	[TWIN PBT] volume (inner)input	I	–	CCW=0 V, CW=5 V	–
93	RFGL	[SQL/RF] gain volume input	I	–	CCW=0 V, CW=5 V	–
95	AFGL	[AF gain] volume input	I	–	CCW=0 V, CW=5 V	–
96	VREF	A/D conversion reference voltage (=VCC1)	I	–	–	–
98	LOST	Strobe for shift register for 1st LO filter	O	H	–	–
99	MSNDL	SEND signal from [MIC] jack.	I	L	TX detect (less than 1.0 V)	–
100	DRFS	DSP data frame(RX)	O	H	–	–

• SHIFT REGISTER (RF UNIT: IC141)

LINE NAME	DESCRIPTION	ACTIVE
B0S	BPF/LPF (0.030000–1.599999 MHz) select	H
B1S	BPF/LPF (1.600000–1.999999 MHz) select	H
B2S	BPF/LPF (2.000000–3.999999 MHz) select	H
B3S	BPF/LPF (4.000000–7.999999 MHz) select	H
B4S	BPF/LPF (8.000000–10.999999 MHz) select	H
B5S	BPF/LPF (11.000000–14.999999 MHz) select	H
B6S	BPF/LPF (15.000000–21.999999 MHz) select	H
B7S	BPF/LPF (22.000000–32.999999 MHz) select	H

• SHIFT REGISTER (RF UNIT: IC142)

LINE NAME	DESCRIPTION	ACTIVE
AMS	AM mode select	H
B8WS	RX BPF/LPF (33.000000 MHz and higher) select	H
B8S	TX BPF/LPF (33.000000 MHz and higher) select	H
PROF	PREAMP OFF	H
PRON	PREAMP ON	H
ATTS	Attenuator control	L
L3S	LPF (5.000000–7.999999 MHz) select	H
L2S	LPF (2.000000–4.999999 MHz) select	H

• SHIFT REGISTER (MAIN UNIT: IC2701)

LINE NAME	DESCRIPTION	ACTIVE
LOF0	1st LO filter (0.030000–14.999999 MHz) select	H
LOF1	1st LO filter (15.000000–29.999999 MHz) select	H
LOF2	1st LO filter (30.000000–44.999999 MHz) select	H
LOF3	1st LO filter (45.000000–54.000000 MHz) select	H

• D/A CONVERTER (MAIN UNIT: IC1)

LINE NAME	DESCRIPTION	
TRXS	Antenna switching (TX/RX)	TX, over input=5V, other conditions:0V
BAND	N/C (RF UNIT: CP502)	-
POCV	TX output power setting	0 (TX low)–5V (TX high)
FANV	Cooling fan rotation speed control	0 (Stop) –5V (max. speed)
ID1V	Idling current control (Pre-driver)	In proportional Voltage vs Current (IPD)
ID2V	Idling current control (driver 1/2)	In proportional Voltage vs Current (IDL)
ID3V	Idling current control (driver 2/2)	In proportional Voltage vs Current (IDL)
ID4V	Idling current control (Final AMP 1/2)	In proportional Voltage vs Current (IDL)
ID5V	Idling current control (Final AMP 2/2)	In proportional Voltage vs Current (IDL)
UNSB	N/C	–
DRVC	Drive gain control	–
ICCV	APC current adjustment	ALC line control

• D/A CONVERTER (MAIN UNIT: IC2)

LINE NAME	DESCRIPTION
REFV	Reference fequency adjustment
VCT4	RX 1st IF AMP tunig voltage
VCT5	RX 1st IF AMP tunig voltage
AJLC	ALC control



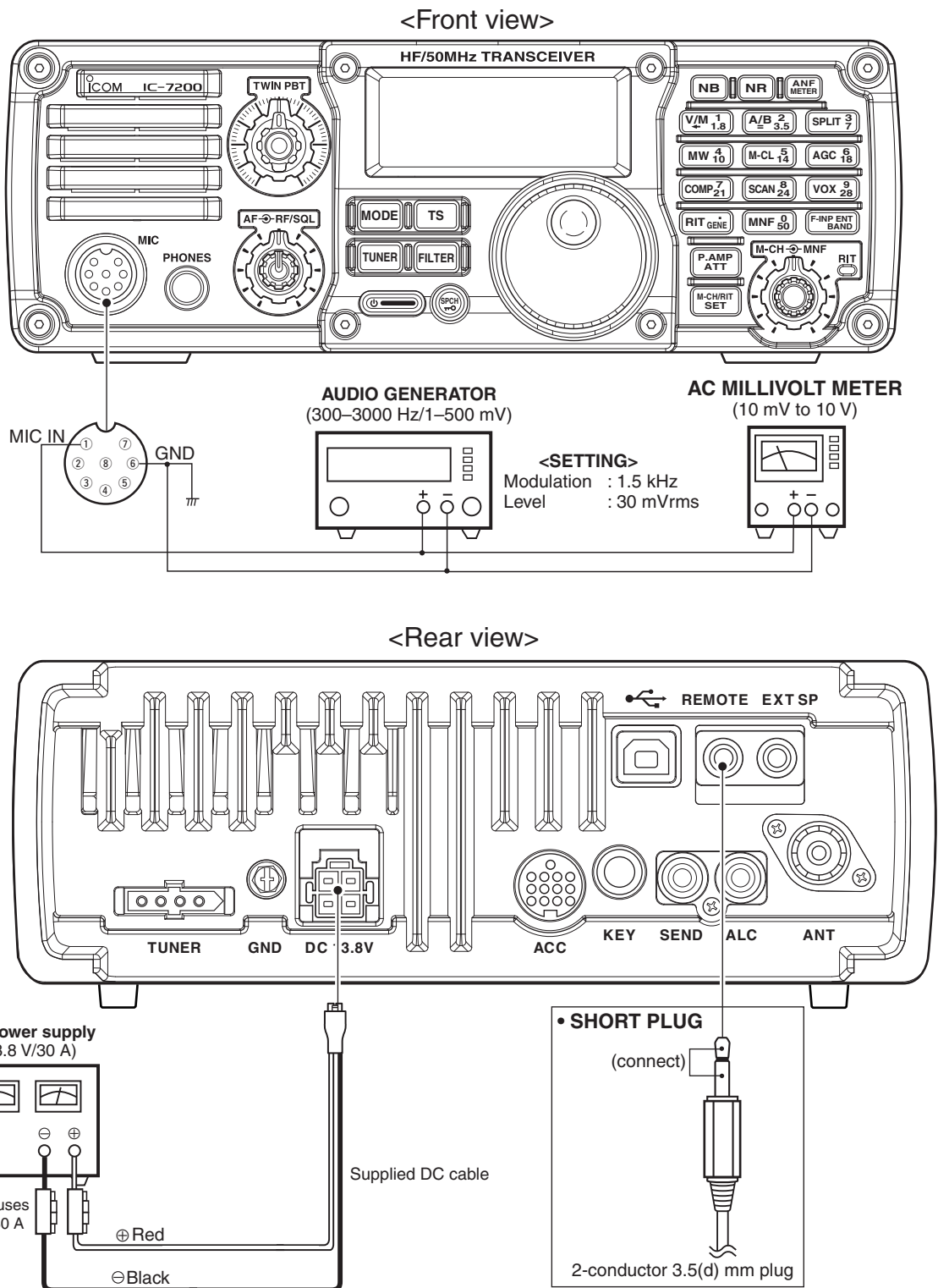
# SECTION 4 ADJUSTMENT PROCEDURE

## 4-1 PREPARATION

### REQUIRED EQUIPMENTS

EQUIPMENT	SPECIFICATION	EQUIPMENT	SPECIFICATION
RF power (terminated type)	Measuring range : 5–120 W	DC Ammeter	Measuring range : 0.1–30 A
	Frequency range : 1.8–60 MHz	DC Voltmeter	Measuring range : 0.1–20 V
Frequency Counter	Impedance : 50 Ω	Standard Signal Generator (SSG)	Frequency range : 0.1–60 MHz
	Frequency range : 0.1–50 MHz		Output level : 0.1 μV to 32 mV (–127 to –17 dBm)
50 Ω Dummy Load	Frequency accuracy : ±0.5 ppm or better	25 Ω Dummy Load	Impedance : 25 Ω
	Input level : Less than 1 mW		Capacity : More than 100 W
	Impedance : 50 Ω		
	Capacity : More than 100 W		

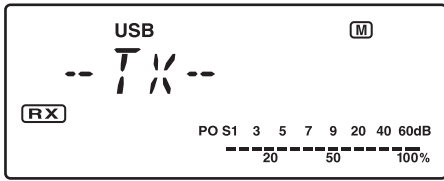
### COMMON CONNECTION



## ADJUSTMENT MODE

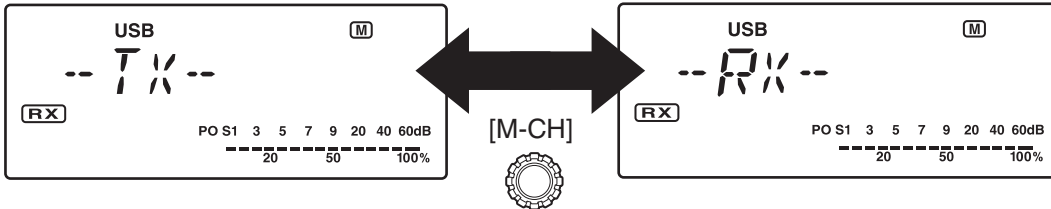
### ENTERING ADJUSTMENT MODE

While pushing [NB] and [NR] keys, turn the power ON. Then the transceiver enters the adjustment mode.



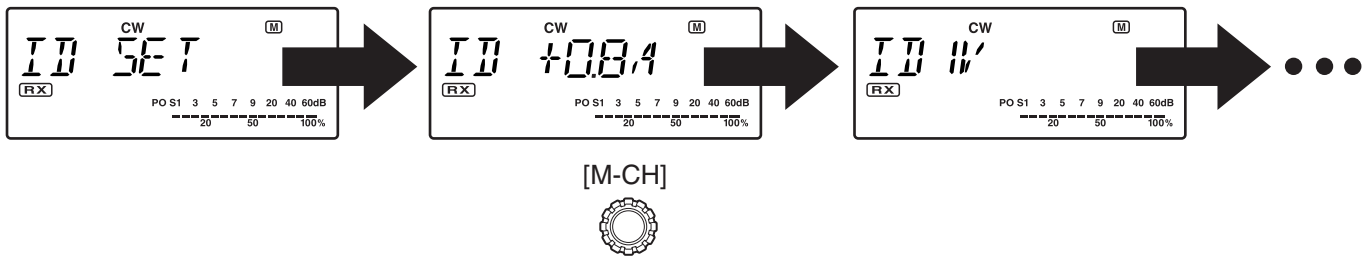
(Initial display)

Turn the [M-CH] control to toggle the adjustment main menu "TX" and "RX," and push [SET] key to select.



Turning the [M-CH] dial selects the adjustment for "TX" or "RX."

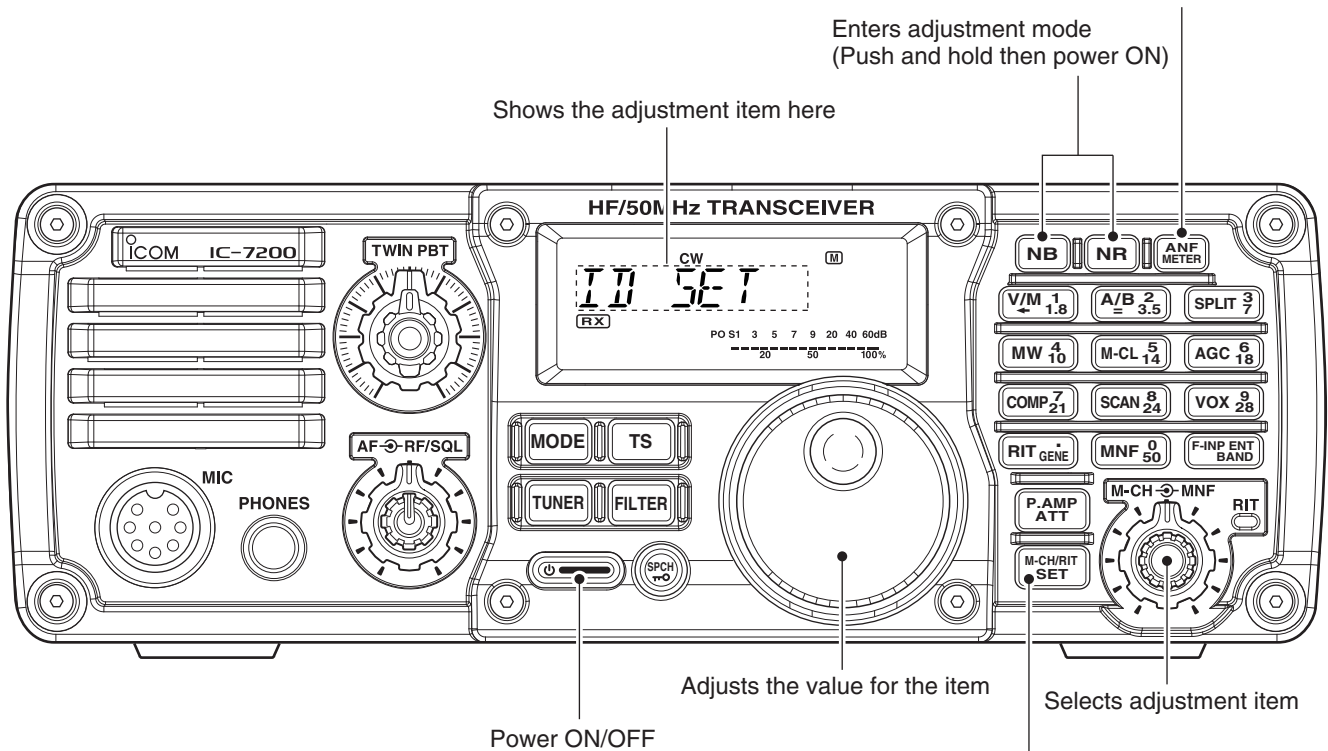
Turn the [M-CH] control to select each adjustment item, and push [SET] key to start.



Turning the [M-CH] dial selects each adjustment item.

### KEY ASSIGNMENTS IN THE ADJUSTMENT MODE

- Returns to main menu (Push momentary)
- Quits adjustment mode (Push for 1 sec.)



- Stores the adjustment value
- Moves to next adjustment item

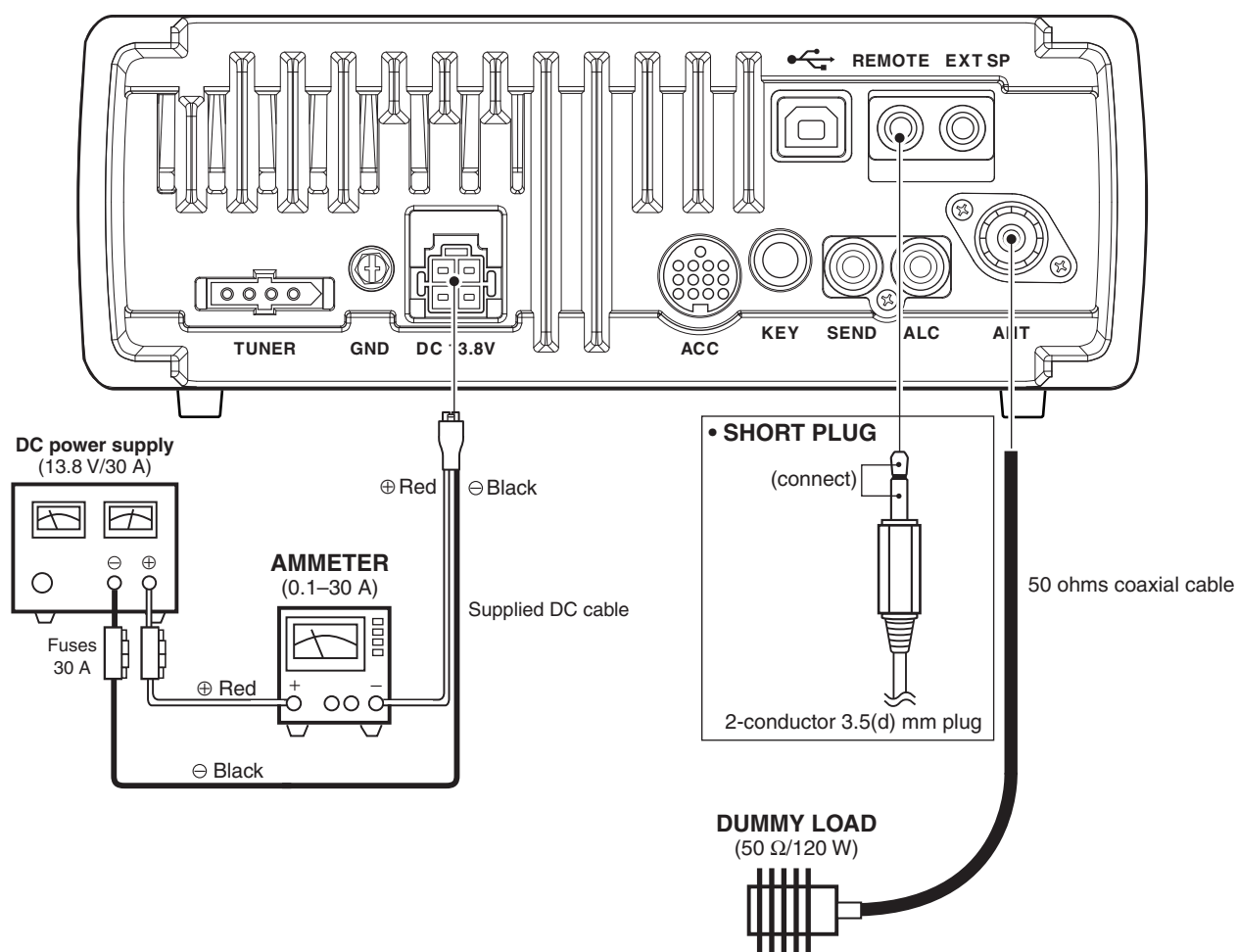
### QUITTING ADJUSTMENT MODE

Push [ANF] for 1 sec.

## 4-2 ADJUSTMENT

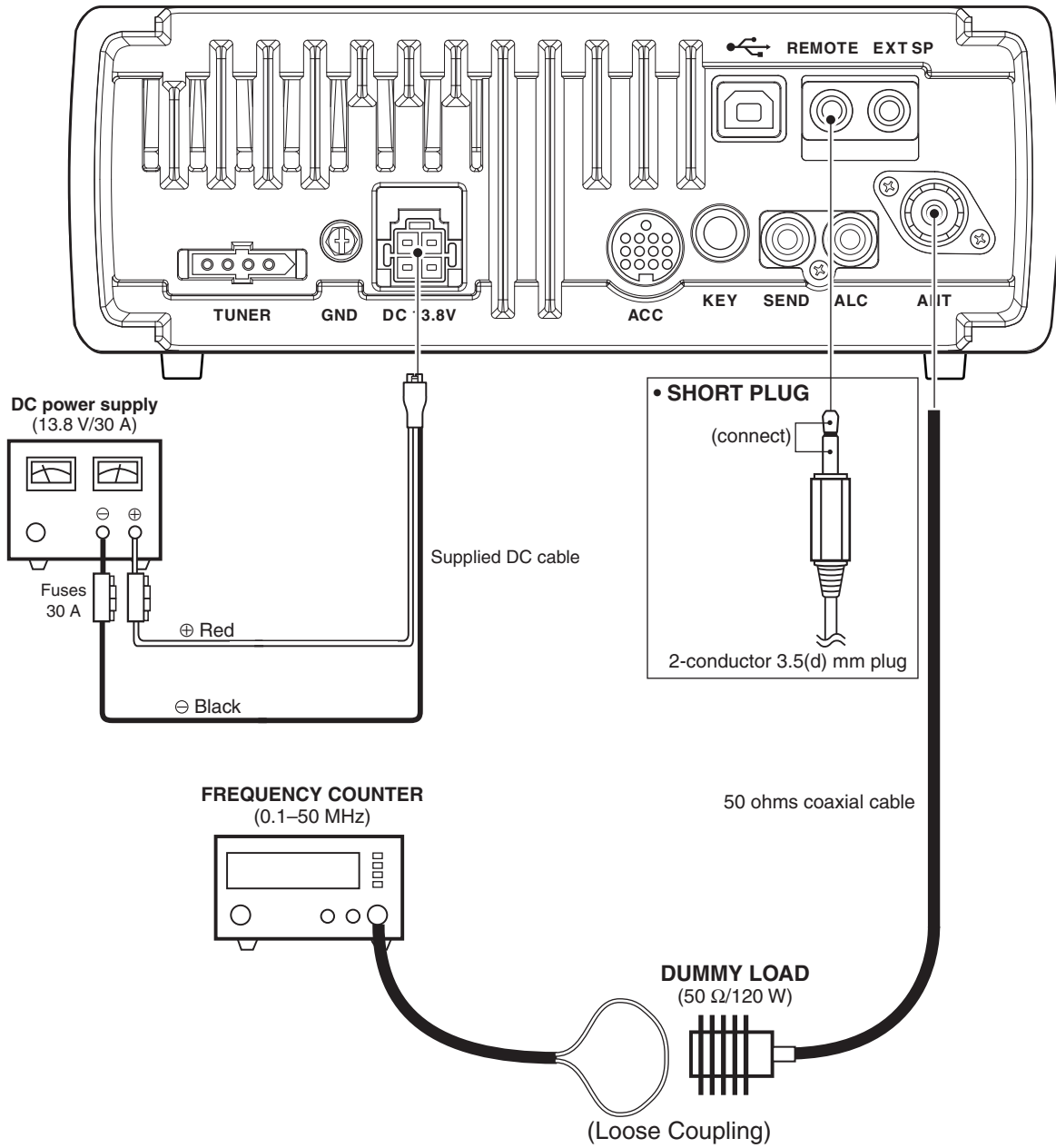
### • TRANSMITTER ADJUSTMENT

ADJUSTMENT	DISPLAYED ITEM	OPERATION	VALUE	
IDLING CURRENT	1	[ID SET]	• Push [SET] key.	—
	2	[ID +0.8A]	• Measure the driving current, and note it as the initial value.	(Note the driving current value)
	3	[ID1V]	• Push [SET] key. (Beep "Pi!" sounds) (After 2.5 sec., another beep "Pipi!" sounds)	—
	4	[ID2V]	1) Adjust the idling current using [DIAL]. 2) Push [SET] key.	+0.8 A more than initial value
	5	[ID3V]	• Push [SET] key. (Beep "Pi!" sounds) (After 2.5 sec., another beep "Pipi!" sounds)	—
	6	[ID4V]	• Push [SET] key. (Beep "Pi!" sounds) (After 2.5 sec., another beep "Pipi!" sounds)	—
	7	[ID5V]	• Push [SET] key. (Beep "Pi!" sounds) (After 2.5 sec., another beep "Pipi!" sounds)	—



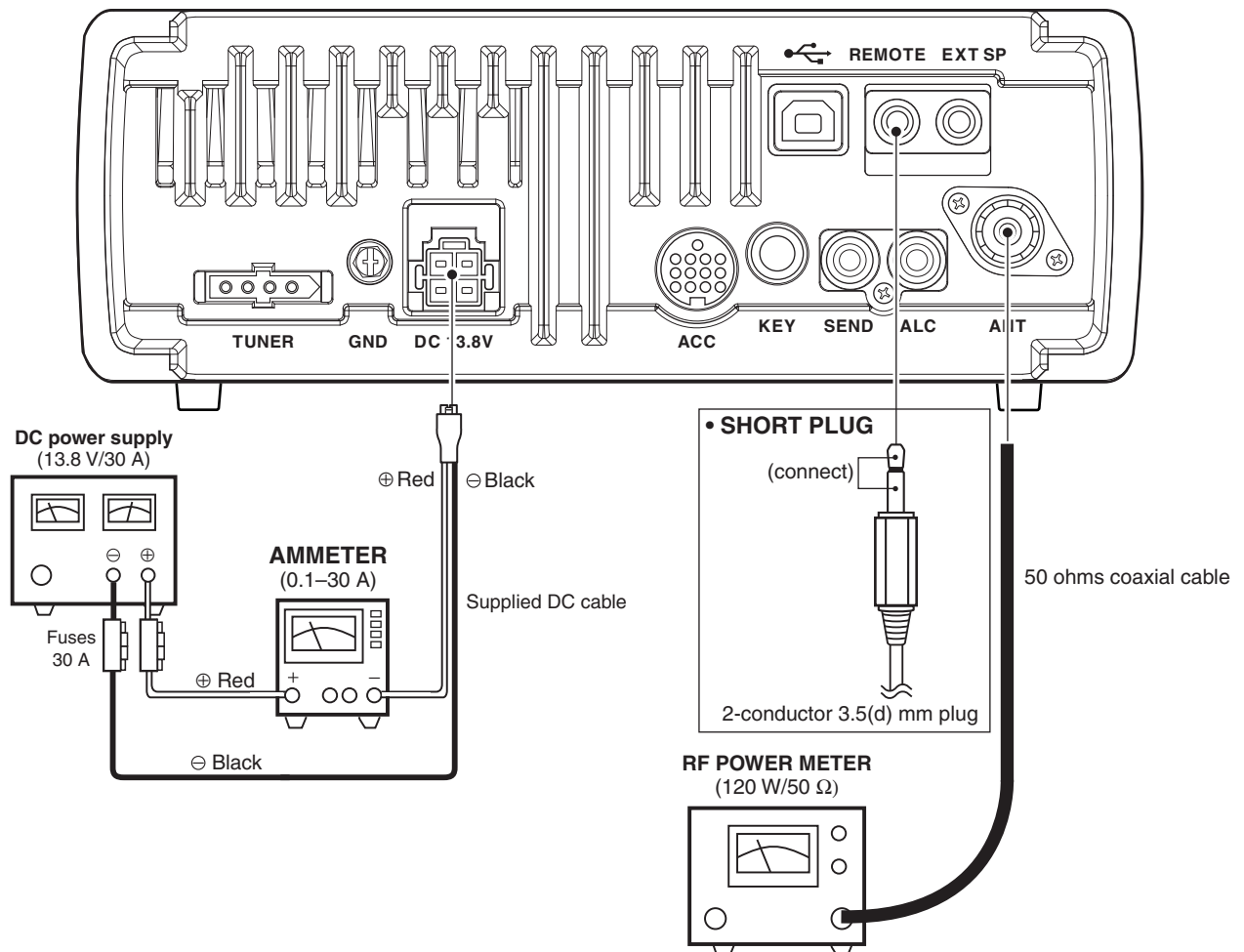
• TRANSMITTER ADJUSTMENT (continued)

ADJUSTMENT	DISPLAYED ITEM	OPERATION	VALUE
REFERENCE FREQUENCY	1	[REF SET] • Push [SET] key.	—
	2	[REF FREQ] 1) Adjust the frequency using [DIAL]. 2) Push [SET] key.	29.999000 MHz



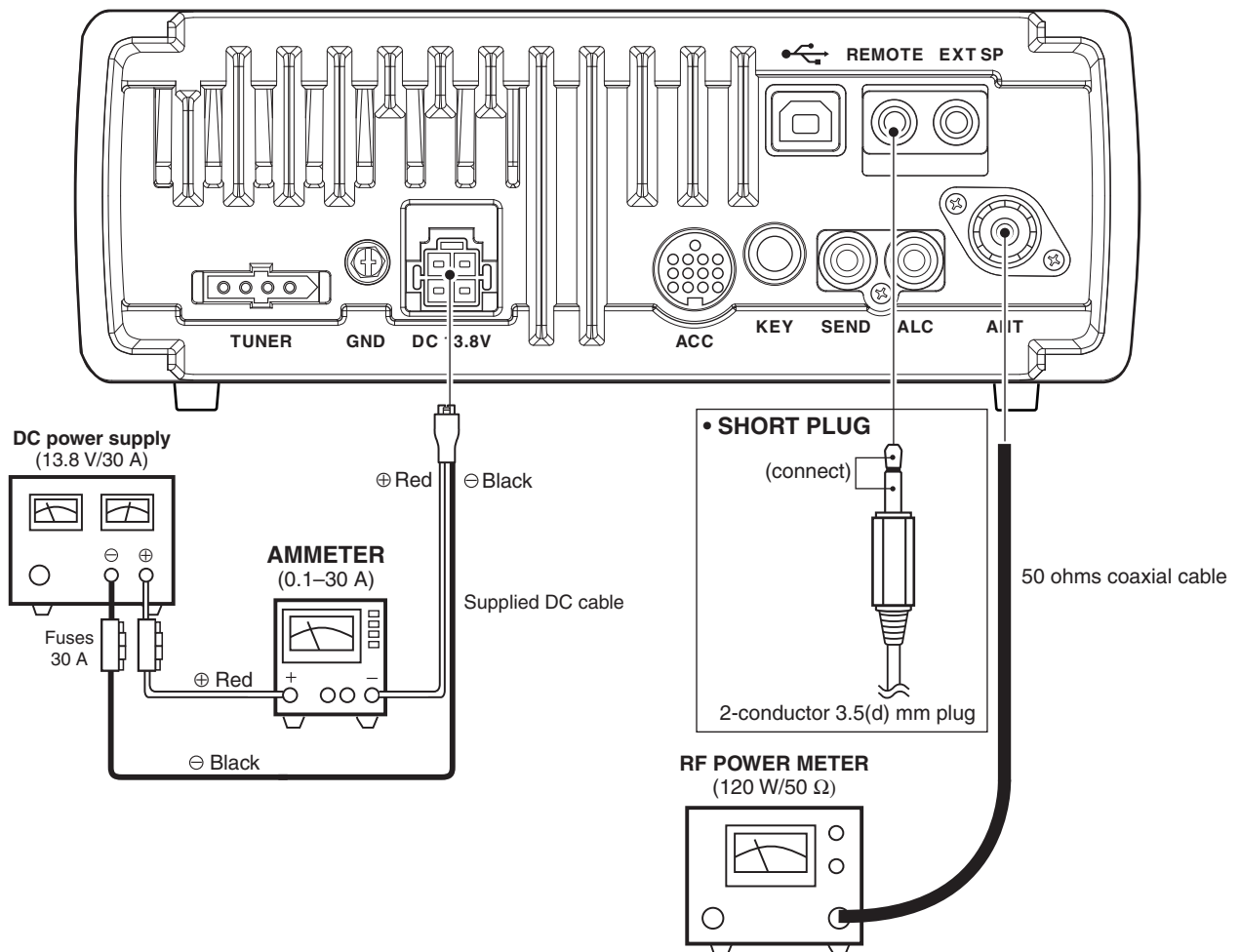
• TRANSMITTER ADJUSTMENT (continued)

ADJUSTMENT	DISPLAYED ITEM	OPERATION	VALUE
VD TUNING (TX)	1 [VCT SET]	1) Connect an RF Power Meter to the antenna connector. 2) Push [SET] key.	-
	2 [VCT3 TX]	• Select the item "TXG SET" with [M-CH] control. (Skip this item)	(Skip this item)
TX TOTAL GAIN	1 [TXG SET]	• Push [SET] key.	-
	2 [14.1 TXG]	1) Connect an RF Power Meter to the Antenna connector. 2) Adjust the TX power using [DIAL]. 3) Push [SET] key. (The transceiver transmits automatically.)	50 W
	3 [1.91 TXG]	• Push [SET] key. (Beep "Pi!" sounds) (After 1.5 sec., another beep "Pipi!" sounds)	-
	4 [28.5 TXG]	• Push [SET] key. (Beep "Pi!" sounds) (After 1.5 sec., another beep "Pipi!" sounds)	-
	5 [51.0 TXG]	• Push [SET] key. (Beep "Pi!" sounds) (After 1.5 sec., another beep "Pipi!" sounds)	-
POWER METER (HF BAND)	<b>NOTE:</b> When the [PoHF SET] is adjusted, the [Po 50 SET] MUST be re-adjusted (or verified) too.		
	1 [PoHF SET]	• Push [SET] key.	-
	2 [PoHF MIN]	1) Connect an RF Power Meter to the Antenna connector. 2) Adjust the TX power using [DIAL]. 3) Push [SET] key.	1 W
	3 [PoHF 10]	1) Adjust the TX power using [DIAL]. 2) Push [SET] key.	10 W
	4 [PoHF TUNE]	1) Adjust the TX power using [DIAL]. 2) Push [SET] key.	10 W
	5 [PoHF 50]	1) Adjust the TX power using [DIAL]. 2) Push [SET] key.	50 W
	6 [PoHF 75]	1) Adjust the TX power using [DIAL]. 2) Push [SET] key.	75 W
	7 [PoHF MAX]	1) Adjust the TX power using [DIAL]. 2) Push [SET] key.	102 W



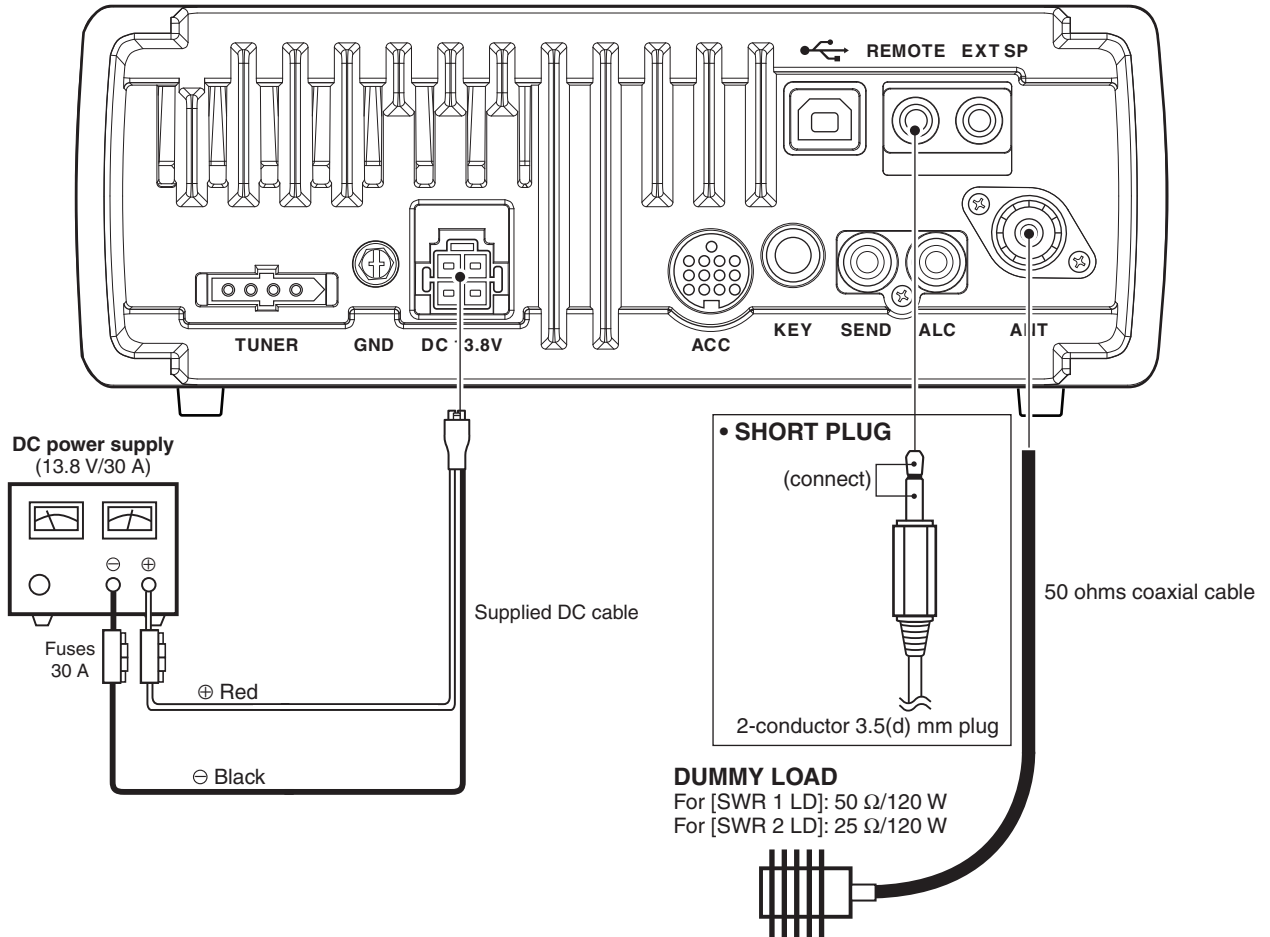
• TRANSMITTER ADJUSTMENT (continued)

ADJUSTMENT	DISPLAYED ITEM	OPERATION	VALUE	
POWER METER (50 MHz BAND)	1	[Po50 SET]	• Push [SET] key.	–
	2	[Po50 MIN]	1) Connect an RF Power Meter to the Antenna connector. 2) Adjust the TX power using [DIAL]. 3) Push [SET] key.	1 W
	3	[Po50 10]	1) Adjust the TX power using [DIAL]. 2) Push [SET] key.	10 W
	4	[Po50 TUNE]	1) Adjust the TX power using [DIAL]. 2) Push [SET] key.	10 W
	5	[Po50 50]	1) Adjust the TX power using [DIAL]. 2) Push [SET] key.	50 W
	6	[Po50 75]	1) Adjust the TX power using [DIAL]. 2) Push [SET] key.	75 W
	7	[Po50 MAX]	1) Adjust the TX power using [DIAL]. 2) Push [SET] key.	100 W
POCV RATIO (AM)	1	[AM R SET]	• Push [SET] key.	–
	2	[AM RATIO]	1) Connect an RF Power Meter to the Antenna connector. 2) Adjust the TX power using [DIAL]. 3) Push [SET] key.	27.5 W
ALC METER	1	[AL-M SET]	1) Connect an RF Power Meter (or a Dummy Load) to the Antenna connector. 2) Push [SET] key. (Beep "Pi!" sounds) (After 1 sec., another beep "Pipi!" sounds)	–
DRIVE GAIN	1	[DRV SET]	1) Connect an RF Power Meter (or a Dummy Load) to the Antenna connector. 2) Push [SET] key. (Beep "Pi!" sounds) (After 1 sec., another beep "Pipi!" sounds)	–



• TRANSMITTER ADJUSTMENT (continued)

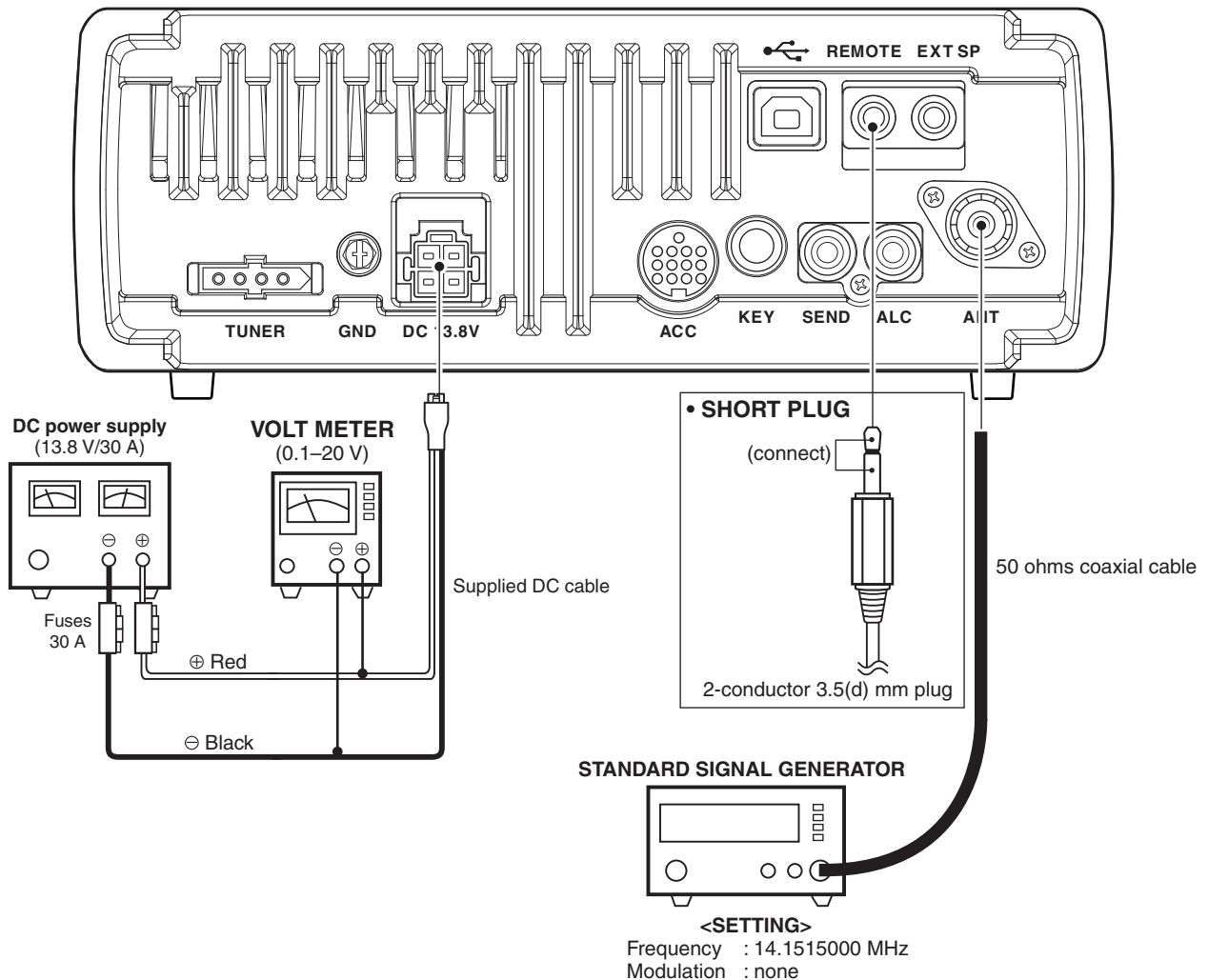
ADJUSTMENT	DISPLAYED ITEM	OPERATION	VALUE
SWR METER	1 [SWR 1 LD]	1) Connect a 50 Ω Dummy Load to the Antenna connector. 2) Push [SET] key. (Beep "Pi!" sounds) (After 1 sec., another beep "Pipi!" sounds)	—
	2 [SWR 2 LD]	1) Connect a 25 Ω Dummy Load to the Antenna connector. 2) Push [SET] key. (Beep "Pi!" sounds) (After 1 sec., another beep "Pipi!" sounds)	—
ID-APC CHECK	1 [IDAPC CK]	1) Connect a 25 ohms Dummy Load to the Antenna connector. 2) Push [SET] key. (Beep "Pi!" sounds) (Another beep "Pipi!" sounds, then "TX" is displayed)	—



• RECEIVER ADJUSTMENTS

ADJUSTMENT	DISPLAYED ITEM	OPERATION	VALUE
PREPARATION	[RX]	1) Connect an SSG to the Antenna connector, and set as; • Frequency : 14.1515000 MHz • Modulation : None • Level : +34 dBμ (-73 dBm) 2) Select the adjustment main menu "RX," using [M-CH] control. 3) Push [SET] key.	-
PBT DIAL CENTER POSITION	1 [TWIN PBT]	1) Set [PBT1] and [PBT2] controls to the center position. 2) Push [SET] key. (Beep "Pipi!" sounds)	-
REFERENCE VOLTAGE	1 [13.8 SET]	1) Connect a Voltmeter to the DC power cable. 2) Verify that the measured voltage is "13.8 V." 3) Push [SET] key.	13.8 V
VD TUNING (RX)	1 [VCT2 RX]	• Push [SET] key. (Beep "Pi!" sounds) (After 1 sec., another beep "Pipi!" sounds)	-
	2 [VCT1 RX]	• Push [SET] key. (Beep "Pi!" sounds) (After 1 sec., another beep "Pipi!" sounds)	-
	3 [VCT3 RX]	• Select the item "RX GAIN" with [M-CH] control. (Skip this item)	(Skip this item)
RX TOTAL GAIN	1 [RX GAIN]	<b>NOTE:</b> NEVER change the SSG's condition until the beep sounds. • Push [SET] key. (Beep "Pi!" sounds) (After 30 sec., another beep "Pipi!" sounds)	-
	1 [S0 LEVEL]	• Select the item "S9 LEVEL" with [M-CH] control. (Skip this item)	(Skip this item)
S-METER	2 [S9 LEVEL]	• Push [SET] key. (Beep "Pi!" sounds) (After 1 sec., another beep "Pipi!" sounds)	-
	3 [+60 LEVEL]	1) Set the SSG as; • Level : +90 dBμ 2) Push [SET] key. (Beep "Pi!" sounds) (After 1 sec., another beep "Pipi!" sounds, then "RX" is displayed.)	-

When the adjustment is finished, push [ANF] key for 1 sec. to quit adjustment mode.





# SECTION 5

# PARTS LIST

### [MAIN UNIT]

REF NO.	PARTS NO.	DESCRIPTION	M.	H/V LOCATION
IC1	1110004310	S.IC M62352GP 75EC	T	164.8/26.3
IC2	1110004310	S.IC M62352GP 75EC	T	103.2/70.8
IC4	1110003800	S.IC NJM2904V-TE1-#FMZB	T	192.1/31
IC521	1110005461	S.IC TA4107F(TE12L,F)	T	144.8/38.6
IC591	1130008511	S.IC TC7W53FU(TE12L,F)	T	78.1/41.9
IC671	1130014270	S.IC TSSA2053DCTR	T	70.9/35.9
IC672	1130014260	S.IC SN74LVC2GU04DCKR	T	73.9/29.3
IC1021	1130008511	S.IC TC7W53FU(TE12L,F)	T	58/47.1
IC1031	1110006570	S.IC TS462CPT	T	55.2/38.7
IC1032	1130008511	S.IC TC7W53FU(TE12L,F)	T	103/16.3
IC1051	1110006570	S.IC TS462CPT	T	18.1/79.5
IC1081	1130008511	S.IC TC7W53FU(TE12L,F)	T	162.5/95.6
IC1082	1130008511	S.IC TC7W53FU(TE12L,F)	T	5.6/77.5
IC1091	1110003091	S.IC LA4425A-E	T	
IC1501	1180003230	S.REG TK68112AMFG0L	T	31/73
IC1511	1130012600	S.IC SN74AHC1G04DCKR	T	61.6/35.7
IC1521	1180002020	S.REG BA033FP-E2	T	27/84.6
IC1531	1130014951	S.IC AT26DF081A-SSU (SX-3015B-1)	T	46.6/38.3
IC1551	1140013590	S.IC ADSP-BF532SBSTZ400	T	50.3/18.6
IC1591	1130013560	S.IC LY61L6416ML-15	T	78.4/17.1
IC1601	1110006570	S.IC TS462CPT	T	44.5/46.9
IC1621	1110006570	S.IC TS462CPT	T	38.9/55.7
IC1641	1110006570	S.IC TS462CPT	T	50.1/55.7
IC1661	1190002650	S.IC AK4620BVFP-E2/P	T	22.9/57.6
IC1681	1130011820	S.IC SN74LVC245APWR	T	8.9/56.4
IC1691	1130013590	S.IC SN74AHC1G126DCKR	T	32.2/25.5
IC1692	1110004770	S.IC BU9480F-E2	T	14.7/88.9
IC1701	1110006570	S.IC TS462CPT	T	10.5/70.9
IC2011	1110006870	S.IC UPC2709TB-E3	T	71.8/80.1
IC2041	1130012610	S.IC SN74AHC1GU04DCKR	T	72.9/69.7
IC2042	1130013440	S.IC SN74LVC2G74DCTR	T	69.3/67.7
IC2043	1190001811	S.IC AD9833BRMZ	T	74.4/58.7
IC2091	1110006870	S.IC UPC2709TB-E3	T	80.3/66.2
IC2151	1110006870	S.IC UPC2709TB-E3	T	41.4/77
IC2501	1130012850	S.IC SN74LVC3G34DCUR	T	52/78.3
IC2502	1130012781	S.IC SN74AHC2G04HDC3 0	T	51.4/82.8
IC2503	1180003220	S.REG TK68118AMFG0L	T	37/81.9
IC2541	1190002101	S.IC AD9951YSVZ	T	44.2/92.7
IC2601	1110006870	S.IC UPC2709TB-E3	T	97/93.5
IC2701	1130011760	S.IC CD0494BPWR	T	103.2/80.5
IC3201	1190002261	S.IC USB2502-AEZG	T	179/59.5
IC3202	1190002240	S.IC PCM2901E/2K	T	177.3/39.9
IC3203	1190002730	S.IC CP2102GMR	T	178.1/69.9
IC3204	1130005721	S.IC TC7W04F(TE12L,F)	T	171.1/70.6
IC3205	1130010461	S.IC TC7S08FU(TE85L,JF)	T	169/61.9
IC3206	1180003240	S.REG TK68133AMFG0L	T	193.6/59
IC3207	1180003240	S.REG TK68133AMFG0L	T	188/59
IC3242	1180003330	S.REG TA7808F(Q) 0	T	
Q1	1590001960	S.TRA XP4311(TX)	T	122.8/18.3
Q2	1590001960	S.TRA XP4311(TX)	T	117.3/19
Q501	1530002680	S.TRA 2SC3357-T1	T	157.1/76.8
Q502	1560000641	S.FET 2SK1740-4/5-TB-E	T	157.9/38.8
Q503	1560000641	S.FET 2SK1740-4/5-TB-E	T	157.9/41.9
Q504	1560000641	S.FET 2SK1740-4/5-TB-E	T	153.8/41.9
Q505	1560000641	S.FET 2SK1740-4/5-TB-E	T	153.8/38.8
Q506	1590001960	S.TRA XP4311(TX)	T	162.5/51.1
Q521	1580000820	S.FET 3SK264-5-TG-E	T	142.3/50.9
Q531	1530002371	S.TRA 2SC2714-O(TE85R,F)	T	146.4/29
Q551	1580000820	S.FET 3SK264-5-TG-E	T	134.3/49.6
Q581	1580000820	S.FET 3SK264-5-TG-E	T	115.5/25.3
Q611	1580000820	S.FET 3SK264-5-TG-E	T	89.7/32
Q651	1530002060	S.TRA 2SC4081 T106 R	T	85.8/44.2
Q652	1580000820	S.FET 3SK264-5-TG-E	T	92.4/50.3
Q653	1580000820	S.FET 3SK264-5-TG-E	T	98.3/42.6
Q654	1530002060	S.TRA 2SC4081 T106 R	T	87.5/56.2
Q1531	1590001960	S.TRA XP4311(TX)	T	26.9/71.1
Q2011	1530002371	S.TRA 2SC2714-O(TE85R,F)	T	65.8/80.5
Q2701	1590001960	S.TRA XP4311(TX)	T	145.4/92.5
Q2702	1590001960	S.TRA XP4311(TX)	T	145.4/88.9
Q2703	1590001960	S.TRA XP4311(TX)	T	145.4/78.9
Q2704	1590001960	S.TRA XP4311(TX)	T	145.4/75.3
Q3201	1590001650	S.TRA XP4601(TX)	T	164.5/70.9
Q3202	1590001960	S.TRA XP4311(TX)	T	177.2/64.3
D1	1790001250	S.DIO MA2S111-(TX)	T	192.3/35.1
D31	1790001250	S.DIO MA2S111-(TX)	T	22.3/4.8
D41	1790001250	S.DIO MA2S111-(TX)	T	18.6/1.6
D501	1790001260	S.DIO MA2S077-(TX)	T	166.4/47.1
D521	1790001260	S.DIO MA2S077-(TX)	T	155.7/60.1
D522	1790001260	S.DIO MA2S077-(TX)	T	153/59.4
D523	1790001260	S.DIO MA2S077-(TX)	T	148.1/25.8
D524	1790001260	S.DIO MA2S077-(TX)	T	144.8/25.9
D525	1790001260	S.DIO MA2S077-(TX)	T	148.3/44.6
D551	1790001260	S.DIO MA2S077-(TX)	T	124.3/62.2
D552	1790001260	S.DIO MA2S077-(TX)	T	123.3/59.7
D553	1790001260	S.DIO MA2S077-(TX)	T	125.1/59.8
D554	1790001260	S.DIO MA2S077-(TX)	T	124.4/44.2
D571	1750000431	S.DIO HSB88WSTR-E	T	113.4/53.2
D581	1790001260	S.DIO MA2S077-(TX)	T	118.5/39.7
D582	1790001260	S.DIO MA2S077-(TX)	T	118.5/41.5
D583	1790001260	S.DIO MA2S077-(TX)	T	112.2/30.5
D584	1790001260	S.DIO MA2S077-(TX)	T	109.7/31.1
D611	1790001260	S.DIO MA2S077-(TX)	T	93.3/35.7
D621	1790001260	S.DIO MA2S077-(TX)	T	82/36.3
D641	1790001260	S.DIO MA2S077-(TX)	T	96/38

### [MAIN UNIT]

REF NO.	PARTS NO.	DESCRIPTION	M.	H/V LOCATION
D671	1790001260	S.DIO MA2S077-(TX)	T	81.4/39.7
D1082	1790001240	S.DIO MA2S728-(TX)	T	160.1/94.5
D1084	1790001240	S.DIO MA2S728-(TX)	T	158.9/94.5
D2572	1750000620	S.DIO MA717WK(TX)	T	79.9/92.7
D2594	1790001621	S.DIO 1SV308(TPL3,F)	T	54/94.4
D2595	1790001621	S.DIO 1SV308(TPL3,F)	T	71.2/98.6
D2596	1790001621	S.DIO 1SV308(TPL3,F)	T	71.2/97.4
D2597	1790001621	S.DIO 1SV308(TPL3,F)	T	67.9/93.2
D2801	1790001621	S.DIO 1SV308(TPL3,F)	T	115.5/98.5
D2802	1790001621	S.DIO 1SV308(TPL3,F)	T	141.1/97.2
D2851	1790001621	S.DIO 1SV308(TPL3,F)	T	115.8/92.8
D2852	1790001621	S.DIO 1SV308(TPL3,F)	T	141.1/90.4
D2901	1790001621	S.DIO 1SV308(TPL3,F)	T	115.8/86
D2902	1790001621	S.DIO 1SV308(TPL3,F)	T	141.1/83.6
D2951	1790001621	S.DIO 1SV308(TPL3,F)	T	115.8/79.2
D2952	1790001621	S.DIO 1SV308(TPL3,F)	T	141.1/76.8
D2955	1720000811	S.VAR HVC358BTRF-E	T	133/54.4
D2956	1720000811	S.VAR HVC358BTRF-E	T	135.1/43.4
D3201	1790001240	S.DIO MA2S728-(TX)	T	174.8/62.6
D3202	1790001240	S.DIO MA2S728-(TX)	T	173.6/62.3
D3203	1790001250	S.DIO MA2S111-(TX)	T	164.3/74.3
FI541	2010002720	S.XTA DSF753SBF 64.455 MHz(FL-421)	T	140/65
FI601	2020001330	CER CFWLA455KHFA-B0 (CFWS455HT)	T	
X2011	6050012560	S.XTA CR-770B DSA321SD 32 MHz	T	62.8/79.6
X3201	6050012780	S.XTA CR-871 DSX321G 24 MHz	T	178.5/52.1
X3202	6050012770	S.XTA CR-870 DSX321G 12 MHz	T	177.1/32.2
L1	6200007790	S.COI LQW2BHNR15J03L	T	141.6/22.6
L2	6200002431	S.COI NLV25T-082J	T	144.4/23.1
L63	6200002041	S.COI NLV25T-101J	T	161.3/27.6
L501	6200003281	S.COI NLV25T-2R2J	T	161.5/41.4
L503	6140002810	S.COI LR-317	T	165.1/41.4
L504	6140004680	S.COI LR-528 4KBL	T	155/29.7
L505	6140004680	S.COI LR-528 4KBL	T	156/49.1
L506	6200003261	S.COI NLV32T-101J	T	162.5/48.2
L507	6200013240	S.COI C2012C-R68J-A	T	159.7/44.5
L508	6200013240	S.COI C2012C-R68J-A	T	153.8/44.5
L509	6200007760	S.COI LQW2BHNR2NJ03L	T	154.7/55
L510	6200007800	S.COI LQW2BHNR18J03L	T	157.5/55.8
L511	6200002041	S.COI NLV25T-101J	T	161.7/59.1
L517	6200002631	S.COI NLV25T-R10J	T	160.3/72
L521	6200009861	S.COI NLV25T-1R5J	T	141.7/45.4
L522	6200003261	S.COI NLV32T-101J	T	140/28.9
L523	6200003261	S.COI NLV32T-101J	T	149.6/52.5
L524	6200005011	S.COI NLV25T-100J	T	141.3/57.6
L525	6200002041	S.COI NLV25T-101J	T	141.6/34.1
L526	6200003261	S.COI NLV32T-101J	T	163/56.3
L527	6200002181	S.COI NLV25T-R12J	T	156.1/63.9
L528	6200002041	S.COI NLV25T-101J	T	141.5/37
L529	6200002041	S.COI NLV25T-101J	T	139/41.1
L530	6200003261	S.COI NLV32T-101J	T	151.2/21.6
L534	6200003261	S.COI NLV32T-101J	T	148.9/32.8
L541	6140004710	S.COI LR-531 4KBL-S070834	T	149.8/64.4
L542	6140004710	S.COI LR-531 4KBL-S070834	T	130.1/63.8
L549	6200002631	S.COI NLV25T-R10J	T	148.3/40
L551	6150004280	COI LS-484B (C-14927)	T	
L552	6150004280	COI LS-484B (C-14927)	T	
L571	6140004680	S.COI LR-528 4KBL	T	119.1/53.2
L572	6140002810	S.COI LR-317	T	106.4/53.2
L581	6150005420	COI LS-554 7QM	T	
L582	6200003520	S.COI ELJFB 102K-F	T	109.3/25.5
L583	6150005410	COI LS-553 7QM	T	
L585	6200003520	S.COI ELJFB 102K-F	T	91.3/42.9
L586	6200003261	S.COI NLV32T-101J	T	69/42.5
L600	6200003520	S.COI ELJFB 102K-F	T	72.2/45.8
L603	6200002601	S.COI NLV25T-047J	T	167/54.4
L604	6200002421	S.COI NLV25T-068J	T	166.4/50.5
L615	6200003520	S.COI ELJFB 102K-F	T	93.1/28.5
L651	6200003520	S.COI ELJFB 102K-F	T	97/48.8
L652	6200003520	S.COI ELJFB 102K-F	T	85.2/49.5
L671	6200003261	S.COI NLV32T-101J	T	69.8/29.9
L672	6200005521	S.COI NLV25T-470J	T	79.1/30.9
L673	6140004680	S.COI LR-528 4KBL	T	77.5/36.1
L1021	6200003261	S.COI NLV32T-101J	T	57.9/52.8
L1031	6200003261	S.COI NLV32T-101J	T	110.2/19.6
L1081	6200002041	S.COI NLV25T-101J	T	166.3/91.4
L1082	6200002041	S.COI NLV25T-101J	T	3.1/81.3
L1091	6140002220	COI LR-270 (TR6X3X2 3A9)	T	
L1531	6200005011	S.COI NLV25T-100J	T	40.3/43.6
L1532	6200002041	S.COI NLV25T-101J	T	23.7/71.3
L1591	6200003261	S.COI NLV32T-101J	T	69.2/8.2
L1661	6200005011	S.COI NLV25T-100J	T	17.4/60.1
L1662	6200005011	S.COI NLV25T-100J	T	18.7/51.2
L1681	6200005011	S.COI NLV25T-100J	T	11.9/51.5
L1691	6200005011	S.COI NLV25T-100J	T	31.9/23
L1692	6200005011	S.COI NLV25T-100J	T	22.2/89.7
L2011	6200005011	S.COI NLV25T-100J	T	71.8/77.3
L2012	6200005011	S.COI NLV25T-100J	T	67.3/83.6
L2013	6200005011	S.COI NLV25T-100J	T	60.1/83
L2014	6200005011	S.COI NLV25T-100J	T	69.5/74.6
L2021	6200007800	S.COI LQW2BHNR18J03L	T	63.7/58.9
L2022	6200002841	S.COI NLV25T-R22J	T	60.9/58.1
L2041	6200005011	S.COI NLV25T-100J	T	73.8/64.7

M.=Mounted side (T: Mounted on the Top side, B: Mounted on the Bottom side)  
S.=Surface mount

**[MAIN UNIT]**

REF NO.	PARTS NO.	DESCRIPTION	M.	H/V LOCATION
L2042	6200005011	S.COI NLV25T-100J	T	68.4/53.2
L2043	6200005031	S.COI NLV25T-180J	T	68.6/60.2
L2044	6200005521	S.COI NLV25T-470J	T	66.7/57.5
L2061	6200002581	S.COI NLV25T-033J	T	62.4/67
L2071	6200002631	S.COI NLV25T-R10J	T	80.8/78.2
L2072	6200002431	S.COI NLV25T-082J	T	83.8/77.8
L2073	6200002431	S.COI NLV25T-082J	T	87.3/79.4
L2074	6200002631	S.COI NLV25T-R10J	T	88/72.8
L2075	6200002631	S.COI NLV25T-R10J	T	87/70
L2091	6200009861	S.COI NLV25T-1R5J	T	77.5/65.7
L2101	6200002181	S.COI NLV25T-R12J	T	94.3/64
L2102	6200002631	S.COI NLV25T-R10J	T	97.1/63.2
L2131	6200002581	S.COI NLV25T-033J	T	51.4/67.7
L2132	6200003891	S.COI NLV25T-027J	T	48.6/67.3
L2133	6200003891	S.COI NLV25T-027J	T	45.8/67.7
L2134	6200003891	S.COI NLV25T-027J	T	41/67.7
L2135	6200003891	S.COI NLV25T-027J	T	38.2/68.1
L2136	6200002581	S.COI NLV25T-033J	T	37.6/72.4
L2151	6200002611	S.COI NLV25T-R47J	T	41.5/79.6
L2152	6200002581	S.COI NLV25T-033J	T	45.2/80.5
L2153	6200002581	S.COI NLV25T-033J	T	46.6/83.8
L2501	6200005011	S.COI NLV25T-100J	T	55.4/84.9
L2560	6200002431	S.COI NLV25T-082J	T	40.6/83.5
L2561	6140002810	S.COI LR-317	T	59.9/91.8
L2563	6200002181	S.COI NLV25T-R12J	T	65.3/93.3
L2564	6200002181	S.COI NLV25T-R12J	T	65.6/98.7
L2566	6140002810	S.COI LR-317	T	74.1/92.6
L2571	6200002601	S.COI NLV25T-047J	T	83.2/91
L2572	6200007790	S.COI LQW2BHNR15J03L	T	82.7/93.8
L2573	6200002431	S.COI NLV25T-082J	T	84.7/96.9
L2574	6200002431	S.COI NLV25T-082J	T	87.6/95.9
L2594	6200007790	S.COI LQW2BHNR15J03L	T	53.5/91.5
L2601	6200002411	S.COI NLV25T-056J	T	105.6/94.5
L2602	6200009861	S.COI NLV25T-1R5J	T	99.8/93.3
L2603	6200002421	S.COI NLV25T-068J	T	102.7/93.9
L2606	6200002041	S.COI NLV25T-101J	T	136.7/5
L2701	6200002041	S.COI NLV25T-101J	T	104.9/86.2
L2711	6200002181	S.COI NLV25T-R12J	T	108.4/93.6
L2712	6200002611	S.COI NLV25T-R47J	T	107.4/90.8
L2713	6200002181	S.COI NLV25T-R12J	T	142.7/99.1
L2714	6200002611	S.COI NLV25T-R47J	T	145.6/98.6
L2715	6200002411	S.COI NLV25T-056J	T	152.4/80.8
L2801	6200002611	S.COI NLV25T-R47J	T	114.7/96.3
L2802	6200002431	S.COI NLV25T-082J	T	126.7/96.5
L2803	6200002631	S.COI NLV25T-R10J	T	118/96.1
L2804	6200002431	S.COI NLV25T-082J	T	121.1/95.2
L2805	6200002181	S.COI NLV25T-R12J	T	123.9/96.1
L2806	6200002631	S.COI NLV25T-R10J	T	129.5/97.3
L2807	6200002631	S.COI NLV25T-R10J	T	133/99.1
L2808	6200002611	S.COI NLV25T-R47J	T	139.3/94.9
L2851	6200002611	S.COI NLV25T-R47J	T	115.8/90.8
L2852	6200002421	S.COI NLV25T-068J	T	127.4/89.7
L2853	6200002421	S.COI NLV25T-068J	T	118.5/89.3
L2854	6200002421	S.COI NLV25T-068J	T	121.3/88.5
L2855	6200002631	S.COI NLV25T-R10J	T	124.6/90.2
L2856	6200002431	S.COI NLV25T-082J	T	130.1/91.3
L2857	6200002431	S.COI NLV25T-082J	T	132.9/92.3
L2858	6200002611	S.COI NLV25T-R47J	T	139.3/88.1
L2859	6200007790	S.COI LQW2BHNR15J03L	T	136.6/86.3
L2901	6200002611	S.COI NLV25T-R47J	T	115.8/84.1
L2902	6200002411	S.COI NLV25T-056J	T	127.4/82.9
L2903	6200002421	S.COI NLV25T-068J	T	118.7/82.5
L2904	6200002411	S.COI NLV25T-056J	T	121.7/81.7
L2905	6200002431	S.COI NLV25T-082J	T	124.6/83.7
L2906	6200002421	S.COI NLV25T-068J	T	130.2/84.5
L2907	6200002421	S.COI NLV25T-068J	T	133/85.5
L2908	6200002611	S.COI NLV25T-R47J	T	139.3/81.3
L2951	6200002611	S.COI NLV25T-R47J	T	115.8/77.3
L2952	6200002411	S.COI NLV25T-056J	T	118.7/74.5
L2953	6200002601	S.COI NLV25T-047J	T	121.8/76.1
L2954	6200002421	S.COI NLV25T-068J	T	124.6/75.7
L2955	6200002411	S.COI NLV25T-056J	T	127.4/76.1
L2956	6200002421	S.COI NLV25T-068J	T	130.2/77.7
L2957	6200002411	S.COI NLV25T-056J	T	133/78.7
L2958	6200002611	S.COI NLV25T-R47J	T	139.3/74.5
L2962	6200002041	S.COI NLV25T-101J	T	185.6/12.7
L2963	6200002041	S.COI NLV25T-101J	T	189/12.7
L2964	6200002041	S.COI NLV25T-101J	T	143.4/4.6
L2965	6200002041	S.COI NLV25T-101J	T	146.2/4.1
L2966	6200002041	S.COI NLV25T-101J	T	177.5/4.9
L2967	6200002041	S.COI NLV25T-101J	T	178.8/7.4
L2968	6200002041	S.COI NLV25T-101J	T	172.3/2
L2969	6200002041	S.COI NLV25T-101J	T	172.7/4.5
L2970	6200002041	S.COI NLV25T-101J	T	166.3/3.5
L2975	6200002041	S.COI NLV25T-101J	T	189/15.2
L2977	6200002041	S.COI NLV25T-101J	T	182.6/7.8
L2979	6200002041	S.COI NLV25T-101J	T	89.5/10.7
L2980	6200002041	S.COI NLV25T-101J	T	94.8/3.7
L2981	6200002041	S.COI NLV25T-101J	T	98.3/8
L2982	6200002041	S.COI NLV25T-101J	T	89.5/13.2
L2983	6200002041	S.COI NLV25T-101J	T	84.6/2.7
L2984	6200002041	S.COI NLV25T-101J	T	88/2.7
L2985	6200002041	S.COI NLV25T-101J	T	91.4/2.7
L2986	6200009861	S.COI NLV25T-1R5J	T	117.3/47.3
L2987	6200009861	S.COI NLV25T-1R5J	T	120.4/45.3
R1	7030003320	S.RES ERJ3GEYJ 101 V (100)	T	179.2/23.5
R2	7030003590	S.RES ERJ3GEYJ 183 V (18K)	T	186.4/30.4
R3	7030003440	S.RES ERJ3GEYJ 102 V (1K)	T	29.4/31.3
R4	7030003320	S.RES ERJ3GEYJ 101 V (100)	T	17.6/17.1
R5	7030003440	S.RES ERJ3GEYJ 102 V (1K)	T	29.4/28.9
R6	7030003440	S.RES ERJ3GEYJ 102 V (1K)	T	29.4/30.1
R7	7030003440	S.RES ERJ3GEYJ 102 V (1K)	T	20.1/22.7

**[MAIN UNIT]**

REF NO.	PARTS NO.	DESCRIPTION	M.	H/V LOCATION
R8	7030003440	S.RES ERJ3GEYJ 102 V (1K)	T	28.1/35.7
R9	7030003440	S.RES ERJ3GEYJ 102 V (1K)	T	28.1/37
R10	7030003440	S.RES ERJ3GEYJ 102 V (1K)	T	28.1/38.2
R11	7030003440	S.RES ERJ3GEYJ 102 V (1K)	T	19.8/32.7
R12	7030003440	S.RES ERJ3GEYJ 102 V (1K)	T	20.3/35.1
R13	7030003440	S.RES ERJ3GEYJ 102 V (1K)	T	17.1/35.8
R14	7030003440	S.RES ERJ3GEYJ 102 V (1K)	T	28.1/32.5
R15	7030003440	S.RES ERJ3GEYJ 102 V (1K)	T	28.1/33.9
R16	7030003360	S.RES ERJ3GEYJ 221 V (220)	T	4.7/32.6
R17	7030003800	S.RES ERJ3GEYJ 105 V (1M)	T	19/5.5
R18	7030003360	S.RES ERJ3GEYJ 221 V (220)	T	7.3/38.9
R19	7030003590	S.RES ERJ3GEYJ 183 V (18K)	T	186.9/29.2
R20	7030003830	S.RES ERJ3GEYJ 185 V (1.8M)	T	188.3/28
R21	7030003860	S.RES ERJ3GE JPW V	T	20.3/6.7
R22	7030003860	S.RES ERJ3GE JPW V	T	190.9/28.3
R23	7030003830	S.RES ERJ3GEYJ 185 V (1.8M)	T	186.9/31.6
R24	7030003860	S.RES ERJ3GE JPW V	T	186.9/34
R25	7030009591	S.RES ERA3YED 472V (4.7K)	T	189.6/34
R26	7030007230	S.RES ERA3YED 102V (1K)	T	189.6/35.2
R27	7030009591	S.RES ERA3YED 472V (4.7K)	T	189.6/36.6
R28	7030003400	S.RES ERJ3GEYJ 471 V (470)	T	190.2/24.3
R29	7030003680	S.RES ERJ3GEYJ 104 V (100K)	T	193.5/28.4
R30	7030005691	S.RES ERA3YED 123V (12K)	T	192.4/27.1
R31	7030003800	S.RES ERJ3GEYJ 105 V (1M)	T	19/4.3
R32	7030003320	S.RES ERJ3GEYJ 101 V (100)	T	195.6/33.7
R33	7030003660	S.RES ERJ3GEYJ 683 V (68K)	T	195/27.1
R34	7030003660	S.RES ERJ3GEYJ 683 V (68K)	T	195/25.8
R35	7030003440	S.RES ERJ3GEYJ 102 V (1K)	T	29.4/27.7
R36	7030003500	S.RES ERJ3GEYJ 332 V (3.3K)	T	12.2/11.7
R37	7030003640	S.RES ERJ3GEYJ 473 V (47K)	T	9.3/14.4
R38	7030003360	S.RES ERJ3GEYJ 221 V (220)	T	6/44.5
R39	7030003440	S.RES ERJ3GEYJ 102 V (1K)	T	8.6/43.3
R40	7030003800	S.RES ERJ3GEYJ 105 V (1M)	T	16.4/5.5
R41	7030003800	S.RES ERJ3GEYJ 105 V (1M)	T	16.4/4.3
R42	7030003560	S.RES ERJ3GEYJ 103 V (10K)	T	24/4.2
R500	7030004400	S.RES ERJ3GEYJ 4R7 V (4.7)	T	154.6/74
R501	7030003440	S.RES ERJ3GEYJ 102 V (1K)	T	164.6/45.3
R502	7030003420	S.RES ERJ3GEYJ 681 V (680)	T	158.9/80.1
R503	7030003420	S.RES ERJ3GEYJ 681 V (680)	T	153.1/76.4
R504	7030003470	S.RES ERJ3GEYJ 182 V (1.8K)	T	156.3/80.1
R505	7030003240	S.RES ERJ3GEYJ 220 V (22)	T	153.8/72.8
R506	7030003860	S.RES ERJ3GE JPW V	T	164.9/37.6
R507	7030003560	S.RES ERJ3GEYJ 103 V (10K)	T	156.8/44.5
R508	7030003400	S.RES ERJ3GEYJ 471 V (470)	T	160.8/41.4
R509	7030003410	S.RES ERJ3GEYJ 561 V (560)	T	157.6/34.5
R510	7030003410	S.RES ERJ3GEYJ 561 V (560)	T	152.4/34.5
R512	7030003440	S.RES ERJ3GEYJ 102 V (1K)	T	158.3/58
R515	7030003390	S.RES ERJ3GEYJ 391 V (390)	T	150.1/47.4
R516	7030003440	S.RES ERJ3GEYJ 102 V (1K)	T	148.6/46.2
R520	7030003360	S.RES ERJ3GEYJ 221 V (220)	T	141.3/38.9
R521	7030003860	S.RES ERJ3GE JPW V	T	141.4/43.5
R522	7030003560	S.RES ERJ3GEYJ 103 V (10K)	T	142.1/48.6
R523	7030003610	S.RES ERJ3GEYJ 273 V (27K)	T	145.2/52.6
R524	7030003320	S.RES ERJ3GEYJ 101 V (100)	T	144.7/45.4
R525	7030003340	S.RES ERJ3GEYJ 151 V (150)	T	142.1/55.7
R526	7030003500	S.RES ERJ3GEYJ 332 V (3.3K)	T	142.1/53.3
R527	7030003320	S.RES ERJ3GEYJ 101 V (100)	T	148.8/55.1
R528	7510001541	S.THR NTCG16 4BH 332JT	T	145.2/53.9
R529	7030003440	S.RES ERJ3GEYJ 102 V (1K)	T	145.2/55.1
R530	7030003440	S.RES ERJ3GEYJ 102 V (1K)	T	141.8/26.2
R531	7030003260	S.RES ERJ3GEYJ 330 V (33)	T	145.2/49
R532	7030003560	S.RES ERJ3GEYJ 103 V (10K)	T	145.2/51.4
R533	7030003440	S.RES ERJ3GEYJ 102 V (1K)	T	168.2/45.6
R534	7030003280	S.RES ERJ3GEYJ 470 V (47)	T	155.4/61.6
R535	7030003400	S.RES ERJ3GEYJ 471 V (470)	T	150.5/23.8
R536	7030003440	S.RES ERJ3GEYJ 102 V (1K)	T	146.9/24.3
R537	7030003330	S.RES ERJ3GEYJ 121 V (120)	T	148.8/56.3
R539	7030003440	S.RES ERJ3GEYJ 102 V (1K)	T	150.3/43.1
R540	7030003400	S.RES ERJ3GEYJ 471 V (470)	T	143.3/28.8
R541	7030003440	S.RES ERJ3GEYJ 102 V (1K)	T	158.6/64.3
R542	7030003440	S.RES ERJ3GEYJ 102 V (1K)	T	124.6/66.9
R543	7030003480	S.RES ERJ3GEYJ 222 V (2.2K)	T	146.1/31.4
R544	7030003520	S.RES ERJ3GEYJ 472 V (4.7K)	T	146.1/32.6
R545	7030003480	S.RES ERJ3GEYJ 222 V (2.2K)	T	145.5/33.8
R548	7030003340	S.RES ERJ3GEYJ 151 V (150)	T	141.8/31.9
R551	7030003440	S.RES ERJ3GEYJ 102 V (1K)	T	125.2/48.5
R552	7030003530	S.RES ERJ3GEYJ 562 V (5.6K)	T	135.8/58.1
R553	7030003480	S.RES ERJ3GEYJ 222 V (2.2K)	T	135.6/52
R554	7030003640	S.RES ERJ3GEYJ 473 V (47K)	T	131.3/49.7
R555	7030003260	S.RES ERJ3GEYJ 330 V (33)	T	137.3/49.4
R556	7030003560	S.RES ERJ3GEYJ 103 V (10K)	T	134.6/47.2
R557	7030003320	S.RES ERJ3GEYJ 101 V (100)	T	127.1/46.7
R558	7030			

[MAIN UNIT]

REF NO.	PARTS NO.	DESCRIPTION	M.	H/V LOCATION
R602	7030003520	S.RES ERJ3GEYJ 472 V (4.7K)	T	98/37
R611	7030003520	S.RES ERJ3GEYJ 472 V (4.7K)	T	91.8/37.5
R614	7030003280	S.RES ERJ3GEYJ 470 V (47)	T	89.9/26.2
R617	7030003860	S.RES ERJ3GE JPW V	T	93.3/34.1
R618	7030003560	S.RES ERJ3GEYJ 103 V (10K)	T	90/29.6
R619	7030003260	S.RES ERJ3GEYJ 330 V (33)	T	90.1/35.7
R620	7030003600	S.RES ERJ3GEYJ 223 V (22K)	T	86.7/33.2
R621	7030003640	S.RES ERJ3GEYJ 473 V (47K)	T	87.3/35.6
R622	7030003860	S.RES ERJ3GE JPW V	T	86.7/34.4
R623	7030003560	S.RES ERJ3GEYJ 103 V (10K)	T	86.3/29.7
R624	7030003400	S.RES ERJ3GEYJ 471 V (470)	T	86.3/30.9
R652	7030003280	S.RES ERJ3GEYJ 470 V (47)	T	87.3/42.2
R653	7030003400	S.RES ERJ3GEYJ 471 V (470)	T	85.9/41
R654	7030003610	S.RES ERJ3GEYJ 273 V (27K)	T	88.3/45.6
R655	7030003640	S.RES ERJ3GEYJ 473 V (47K)	T	88.3/46.8
R656	7030003480	S.RES ERJ3GEYJ 222 V (2.2K)	T	94.1/53.1
R657	7030003480	S.RES ERJ3GEYJ 222 V (2.2K)	T	92.6/55.5
R658	7030003480	S.RES ERJ3GEYJ 222 V (2.2K)	T	88.3/51.2
R659	7030003320	S.RES ERJ3GEYJ 101 V (100)	T	88.3/52.4
R660	7510001541	S.THE NTCG16 4BH 332JT	T	96.7/54.3
R661	7030003560	S.RES ERJ3GEYJ 103 V (10K)	T	88.9/59.5
R662	7030003560	S.RES ERJ3GEYJ 103 V (10K)	T	90/56.2
R663	7510001541	S.THE NTCG16 4BH 332JT	T	94.1/54.3
R664	7030003280	S.RES ERJ3GEYJ 470 V (47)	T	95/46.3
R665	7030003520	S.RES ERJ3GEYJ 472 V (4.7K)	T	99.6/45.1
R666	7030003320	S.RES ERJ3GEYJ 101 V (100)	T	95.5/42.7
R667	7030003520	S.RES ERJ3GEYJ 472 V (4.7K)	T	101.2/41.9
R668	7030003670	S.RES ERJ3GEYJ 823 V (82K)	T	96.6/40.3
R669	7030003620	S.RES ERJ3GEYJ 333 V (33K)	T	100.5/39.1
R670	7510001541	S.THE NTCG16 4BH 332JT	T	95.5/43.9
R671	7030003260	S.RES ERJ3GEYJ 330 V (33)	T	92.4/48
R672	7030003400	S.RES ERJ3GEYJ 471 V (470)	T	88.9/53.6
R674	7030003860	S.RES ERJ3GE JPW V	T	84.7/42.2
R675	7030003400	S.RES ERJ3GEYJ 471 V (470)	T	82.1/42.2
R676	7030003520	S.RES ERJ3GEYJ 472 V (4.7K)	T	66.9/32.1
R677	7030003520	S.RES ERJ3GEYJ 472 V (4.7K)	T	66.9/33.3
R678	7030003480	S.RES ERJ3GEYJ 222 V (2.2K)	T	70.9/39.5
R679	7030003480	S.RES ERJ3GEYJ 222 V (2.2K)	T	73.5/39.5
R680	7030003400	S.RES ERJ3GEYJ 471 V (470)	T	82.3/34.5
R681	7030003680	S.RES ERJ3GEYJ 104 V (100K)	T	74.4/27.4
R682	7030003440	S.RES ERJ3GEYJ 102 V (1K)	T	74.4/26.2
R684	7030003530	S.RES ERJ3GEYJ 562 V (5.6K)	T	95.3/51.3
R685	7030004040	S.RES ERJ3GEYJ 4R7 V (4.7)	T	78.9/26.8
R686	7030003440	S.RES ERJ3GEYJ 102 V (1K)	T	78.1/28.6
R687	7030003440	S.RES ERJ3GEYJ 102 V (1K)	T	77/27.4
R1021	7030003520	S.RES ERJ3GEYJ 472 V (4.7K)	T	56.6/50.6
R1022	7030003520	S.RES ERJ3GEYJ 472 V (4.7K)	T	56.6/49.4
R1023	7030003320	S.RES ERJ3GEYJ 101 V (100)	T	59.2/50.6
R1024	7030003640	S.RES ERJ3GEYJ 473 V (47K)	T	54.5/48.5
R1025	7030003640	S.RES ERJ3GEYJ 473 V (47K)	T	63.6/45.6
R1026	7030003640	S.RES ERJ3GEYJ 473 V (47K)	T	60.6/39.6
R1031	7030003420	S.RES ERJ3GEYJ 681 V (680)	T	107.6/17.5
R1032	7030003560	S.RES ERJ3GEYJ 103 V (10K)	T	110.9/16.4
R1033	7030003520	S.RES ERJ3GEYJ 472 V (4.7K)	T	50.1/44.2
R1034	7030003860	S.RES ERJ3GE JPW V	T	52.7/45.4
R1035	7030003680	S.RES ERJ3GEYJ 104 V (100K)	T	51.9/41.8
R1036	7030003320	S.RES ERJ3GEYJ 101 V (100)	T	61.7/41
R1037	7030003680	S.RES ERJ3GEYJ 104 V (100K)	T	62.4/38.7
R1038	7030003320	S.RES ERJ3GEYJ 101 V (100)	T	106.8/19.9
R1039	7030003640	S.RES ERJ3GEYJ 473 V (47K)	T	99.4/18.2
R1040	7030003640	S.RES ERJ3GEYJ 473 V (47K)	T	102/18.9
R1041	7030003460	S.RES ERJ3GEYJ 152 V (1.5K)	T	110.9/15.2
R1042	7030003560	S.RES ERJ3GEYJ 103 V (10K)	T	110.9/14
R1043	7030003620	S.RES ERJ3GEYJ 333 V (33K)	T	50.8/36.9
R1044	7030003640	S.RES ERJ3GEYJ 473 V (47K)	T	56.1/42.4
R1045	7030003530	S.RES ERJ3GEYJ 562 V (5.6K)	T	52.8/36.2
R1052	7030003560	S.RES ERJ3GEYJ 103 V (10K)	T	15.1/78.6
R1053	7030003560	S.RES ERJ3GEYJ 103 V (10K)	T	18.1/85.2
R1054	7030003600	S.RES ERJ3GEYJ 223 V (22K)	T	21.2/78.2
R1055	7030003320	S.RES ERJ3GEYJ 101 V (100)	T	15.1/76.2
R1056	7030003860	S.RES ERJ3GE JPW V	T	10.9/84.4
R1057	7030003600	S.RES ERJ3GEYJ 223 V (22K)	T	21.2/79.4
R1058	7030003680	S.RES ERJ3GEYJ 104 V (100K)	T	21.2/81.8
R1059	7030003620	S.RES ERJ3GEYJ 333 V (33K)	T	18.1/84
R1060	7030003440	S.RES ERJ3GEYJ 102 V (1K)	T	15.4/84
R1061	7030003320	S.RES ERJ3GEYJ 101 V (100)	T	15.1/82.2
R1063	7030003640	S.RES ERJ3GEYJ 473 V (47K)	T	18.7/70.3
R1064	7030003640	S.RES ERJ3GEYJ 473 V (47K)	T	15.1/79.8
R1070	7030003520	S.RES ERJ3GEYJ 472 V (4.7K)	T	163.1/88.8
R1071	7030003520	S.RES ERJ3GEYJ 472 V (4.7K)	T	159.6/89.1
R1072	7030003560	S.RES ERJ3GEYJ 103 V (10K)	T	162.2/91.2
R1073	7030003560	S.RES ERJ3GEYJ 103 V (10K)	T	159.6/91.5
R1074	7030003560	S.RES ERJ3GEYJ 103 V (10K)	T	164.3/98.8
R1075	7030003520	S.RES ERJ3GEYJ 472 V (4.7K)	T	9.4/80.8
R1076	7030003520	S.RES ERJ3GEYJ 472 V (4.7K)	T	9.4/83.2
R1077	7030003560	S.RES ERJ3GEYJ 103 V (10K)	T	5.3/74.3
R1078	7030003560	S.RES ERJ3GEYJ 103 V (10K)	T	6.7/83.2
R1079	7030003560	S.RES ERJ3GEYJ 103 V (10K)	T	6.8/81.1
R1080	7030003440	S.RES ERJ3GEYJ 102 V (1K)	T	158.2/96.4
R1081	7030003280	S.RES ERJ3GEYJ 470 V (47)	T	159.6/92.7
R1083	7030003640	S.RES ERJ3GEYJ 473 V (47K)	T	165.8/94.9
R1084	7030003800	S.RES ERJ3GEYJ 105 V (1M)	T	157/95.1
R1086	7030003320	S.RES ERJ3GEYJ 101 V (100)	T	165.8/93.7
R1087	7030003320	S.RES ERJ3GEYJ 101 V (100)	T	2.7/79.4
R1088	7030003280	S.RES ERJ3GEYJ 470 V (47)	T	8.5/75.8
R1089	7030003640	S.RES ERJ3GEYJ 473 V (47K)	T	8.5/79.4
R1090	7030003440	S.RES ERJ3GEYJ 102 V (1K)	T	8.5/78.2
R1091	7030003860	S.RES ERJ3GE JPW V	T	173.8/84.5
R1092	7030003560	S.RES ERJ3GEYJ 103 V (10K)	T	164.3/100.1
R1093	7030003440	S.RES ERJ3GEYJ 102 V (1K)	T	168.4/97.6
R1094	7030003400	S.RES ERJ3GEYJ 471 V (470)	T	183.2/83.9
R1095	7030004040	S.RES ERJ3GEYJ 4R7 V (4.7)	T	186.8/86.7
R1096	7030010260	S.RES ERJ1TYJ 3R3 U	T	176.3/82
R1514	7030003320	S.RES ERJ3GEYJ 101 V (100)	T	63.8/32.1

[MAIN UNIT]

REF NO.	PARTS NO.	DESCRIPTION	M.	H/V LOCATION
R1515	7030003800	S.RES ERJ3GEYJ 105 V (1M)	T	59.6/35.5
R1516	7030003320	S.RES ERJ3GEYJ 101 V (100)	T	58.3/35.5
R1521	7030003860	S.RES ERJ3GE JPW V	T	2.7/53.7
R1531	7030003560	S.RES ERJ3GEYJ 103 V (10K)	T	46.1/41.7
R1532	7030003440	S.RES ERJ3GEYJ 102 V (1K)	T	33.2/57.9
R1548	7030003860	S.RES ERJ3GE JPW V	T	29.1/16
R1549	7030003860	S.RES ERJ3GE JPW V	T	65.9/37.8
R1550	7030003860	S.RES ERJ3GE JPW V	T	55.7/35.5
R1553	7030003320	S.RES ERJ3GEYJ 101 V (100)	T	56.9/34
R1554	7030003560	S.RES ERJ3GEYJ 103 V (10K)	T	53.3/34
R1555	7030003560	S.RES ERJ3GEYJ 103 V (10K)	T	49.7/34
R1556	7030003560	S.RES ERJ3GEYJ 103 V (10K)	T	66.2/23.4
R1557	7030003560	S.RES ERJ3GEYJ 103 V (10K)	T	65/23.8
R1558	7030003560	S.RES ERJ3GEYJ 103 V (10K)	T	43.5/3.2
R1559	7030003560	S.RES ERJ3GEYJ 103 V (10K)	T	42.3/3.2
R1591	7030003860	S.RES ERJ3GE JPW V	T	82.8/9.2
R1601	7030003320	S.RES ERJ3GEYJ 101 V (100)	T	52.6/48.8
R1602	7030003520	S.RES ERJ3GEYJ 472 V (4.7K)	T	38.7/48.2
R1603	7030003520	S.RES ERJ3GEYJ 472 V (4.7K)	T	44.2/50.8
R1604	7030003520	S.RES ERJ3GEYJ 472 V (4.7K)	T	40.9/49.4
R1605	7030003520	S.RES ERJ3GEYJ 472 V (4.7K)	T	49.8/46.4
R1606	7030003520	S.RES ERJ3GEYJ 472 V (4.7K)	T	45.9/44.4
R1607	7030003520	S.RES ERJ3GEYJ 472 V (4.7K)	T	49.8/47.6
R1621	7030003320	S.RES ERJ3GEYJ 101 V (100)	T	41.9/58.7
R1622	7030003490	S.RES ERJ3GEYJ 272 V (2.7K)	T	37.2/52
R1623	7030003490	S.RES ERJ3GEYJ 272 V (2.7K)	T	37.2/50.8
R1624	7030003490	S.RES ERJ3GEYJ 272 V (2.7K)	T	40.3/52
R1625	7030003490	S.RES ERJ3GEYJ 272 V (2.7K)	T	40.3/50.8
R1626	7030003460	S.RES ERJ3GEYJ 152 V (1.5K)	T	36/59.4
R1627	7030003460	S.RES ERJ3GEYJ 152 V (1.5K)	T	38.9/58.2
R1628	7030003320	S.RES ERJ3GEYJ 101 V (100)	T	33.2/59.4
R1629	7030003320	S.RES ERJ3GEYJ 101 V (100)	T	38.9/60.6
R1641	7030003320	S.RES ERJ3GEYJ 101 V (100)	T	52.8/59.4
R1642	7030003490	S.RES ERJ3GEYJ 272 V (2.7K)	T	50.1/53.2
R1643	7030003490	S.RES ERJ3GEYJ 272 V (2.7K)	T	47.5/52
R1644	7030003490	S.RES ERJ3GEYJ 272 V (2.7K)	T	52.7/53.2
R1645	7030003490	S.RES ERJ3GEYJ 272 V (2.7K)	T	52/52
R1646	7030003460	S.RES ERJ3GEYJ 152 V (1.5K)	T	47/59.7
R1647	7030003460	S.RES ERJ3GEYJ 152 V (1.5K)	T	49.8/58.4
R1648	7030003320	S.RES ERJ3GEYJ 101 V (100)	T	44.4/59.7
R1649	7030003320	S.RES ERJ3GEYJ 101 V (100)	T	49.8/60.9
R1661	7030003320	S.RES ERJ3GEYJ 101 V (100)	T	22/64.2
R1662	7030003320	S.RES ERJ3GEYJ 101 V (100)	T	29/61.3
R1663	7030003860	S.RES ERJ3GE JPW V	T	29/58.9
R1664	7030003320	S.RES ERJ3GEYJ 101 V (100)	T	29/60.1
R1665	7030003320	S.RES ERJ3GEYJ 101 V (100)	T	29/62.5
R1666	7030003860	S.RES ERJ3GE JPW V	T	21.7/51.4
R1667	7030003520	S.RES ERJ3GEYJ 472 V (4.7K)	T	19.1/49.3
R1668	7030003500	S.RES ERJ3GEYJ 332 V (3.3K)	T	21.7/49.9
R1669	7030003320	S.RES ERJ3GEYJ 101 V (100)	T	35.1/13.6
R1686	7030003640	S.RES ERJ3GEYJ 473 V (47K)	T	2.7/61.6
R1687	7030003640	S.RES ERJ3GEYJ 473 V (47K)	T	29.4/26.5
R1688	7030003860	S.RES ERJ3GE JPW V	T	24.1/1.6
R1691	7030003320	S.RES ERJ3GEYJ 101 V (100)	T	19.7/87.6
R1692	7030003320	S.RES ERJ3GEYJ 101 V (100)	T	20.1/86.4
R1693	7030003320	S.RES ERJ3GEYJ 101 V (100)	T	19.8/89.5
R1701	7030003440	S.RES ERJ3GEYJ 102 V (1K)	T	10.8/64.3
R1702	7030003520	S.RES ERJ3GEYJ 472 V (4.7K)	T	6/65.5
R1703	7030003520	S.RES ERJ3GEYJ 472 V (4.7K)	T	9/63.6
R1704	7030003500	S.RES ERJ3GEYJ 332 V (3.3K)	T	9/64.8
R1705	7030003440	S.RES ERJ3GEYJ 102 V (1K)	T	18.2/63.6
R1706	7030003520	S.RES ERJ3GEYJ 472 V (4.7K)	T	12.7/63.6
R1707	7030003520	S.RES ERJ3GEYJ 472 V (4.7K)	T	15.6/63.6
R1708	7030003500	S.RES ERJ3GEYJ 332 V (3.3K)	T	15.6/64.8
R1709	7030003500	S.RES ERJ3GEYJ 332 V (3.3K)	T	5.4/69.1
R1710	7030003540	S.RES ERJ3GEYJ 682 V (6.8K)	T	5.4/67.9
R1711	7030003540	S.RES ERJ3GEYJ 682 V (6.8K)	T	8.6/66
R1712	7030003500	S.RES ERJ3GEYJ 332 V (3.3K)	T	12.7/67.2
R1713	7030003540	S.RES ERJ3GEYJ 682 V (6.8K)	T	12.7/66
R1714	7030003540	S.RES ERJ3GEYJ 682 V (6.8K)	T	15.6/66
R1716	7030003320	S.RES ERJ3GEYJ 101 V (100)	T	12.4/75.2
R1717	7030003560	S.RES ERJ3GEYJ 103 V (10K)	T	15.7/70.3
R2011	7030003560	S.RES ERJ3GEYJ 103 V (10K)	T	59.8/79.9
R2012	7030003670	S.RES ERJ3GEYJ 823 V (82K)	T	59.8/81.1
R2013	7030005691	S.RES ERA3YED 1		

[MAIN UNIT]

REF NO.	PARTS NO.	DESCRIPTION	M.	H/V LOCATION
R2549	7030003440	S.RES ERJ3GEYJ 102 V (1K)	T	36.6/94.8
R2550	7030003440	S.RES ERJ3GEYJ 102 V (1K)	T	36.6/96
R2551	7030003860	S.RES ERJ3GE JPW V	T	36.6/97.2
R2552	7030003330	S.RES ERJ3GEYJ 121 V (120)	T	55.2/91.1
R2553	7030003470	S.RES ERJ3GEYJ 182 V (1.8K)	T	51.2/95.9
R2554	7030003440	S.RES ERJ3GEYJ 102 V (1K)	T	39.8/96.9
R2555	7030003560	S.RES ERJ3GEYJ 103 V (10K)	T	40.7/98.4
R2556	7030003470	S.RES ERJ3GEYJ 182 V (1.8K)	T	51.2/97.1
R2557	7030003860	S.RES ERJ3GE JPW V	T	40.2/87
R2590	7030003240	S.RES ERJ3GEYJ 220 V (22)	T	93.2/96.6
R2591	7030003240	S.RES ERJ3GEYJ 220 V (22)	T	93.2/95.4
R2592	7030003400	S.RES ERJ3GEYJ 471 V (470)	T	93.2/93
R2593	7030003400	S.RES ERJ3GEYJ 471 V (470)	T	95.8/95.4
R2594	7030003340	S.RES ERJ3GEYJ 151 V (150)	T	54.3/88
R2595	7030003400	S.RES ERJ3GEYJ 471 V (470)	T	54.6/97.4
R2596	7030003330	S.RES ERJ3GEYJ 121 V (120)	T	54.3/86.8
R2597	7030003340	S.RES ERJ3GEYJ 151 V (150)	T	68.4/91.4
R2598	7030003400	S.RES ERJ3GEYJ 471 V (470)	T	68.7/96.3
R2599	7030003330	S.RES ERJ3GEYJ 121 V (120)	T	67.8/89.6
R2701	7030003440	S.RES ERJ3GEYJ 102 V (1K)	T	99.5/83.9
R2702	7030003440	S.RES ERJ3GEYJ 102 V (1K)	T	98/82.6
R2703	7030003440	S.RES ERJ3GEYJ 102 V (1K)	T	98/81.4
R2711	7030003390	S.RES ERJ3GEYJ 391 V (390)	T	109.7/89.7
R2715	7030003390	S.RES ERJ3GEYJ 391 V (390)	T	145/96.3
R2801	7030003390	S.RES ERJ3GEYJ 391 V (390)	T	115.4/94
R2802	7030003260	S.RES ERJ3GEYJ 330 V (33)	T	135.9/97.2
R2803	7030003340	S.RES ERJ3GEYJ 151 V (150)	T	135.9/94.8
R2804	7030003340	S.RES ERJ3GEYJ 151 V (150)	T	137/96
R2805	7030003390	S.RES ERJ3GEYJ 391 V (390)	T	140/92.6
R2806	7030003680	S.RES ERJ3GEYJ 104 V (100K)	T	141.8/93.9
R2851	7030003390	S.RES ERJ3GEYJ 391 V (390)	T	115.5/88.9
R2852	7030003240	S.RES ERJ3GEYJ 220 V (22)	T	135.9/90.4
R2853	7030003400	S.RES ERJ3GEYJ 471 V (470)	T	134.4/89.2
R2854	7030003400	S.RES ERJ3GEYJ 471 V (470)	T	137/89.2
R2855	7030003390	S.RES ERJ3GEYJ 391 V (390)	T	140.3/85.8
R2856	7030003680	S.RES ERJ3GEYJ 104 V (100K)	T	141.8/87
R2857	7030003240	S.RES ERJ3GEYJ 220 V (22)	T	135.9/91.6
R2901	7030003390	S.RES ERJ3GEYJ 391 V (390)	T	115.5/82.2
R2902	7030003260	S.RES ERJ3GEYJ 330 V (33)	T	135.9/83.6
R2903	7030003340	S.RES ERJ3GEYJ 151 V (150)	T	135.9/81.2
R2904	7030003340	S.RES ERJ3GEYJ 151 V (150)	T	137/82.2
R2905	7030003390	S.RES ERJ3GEYJ 391 V (390)	T	140/79
R2906	7030003680	S.RES ERJ3GEYJ 104 V (100K)	T	141.7/80.2
R2950	7030003260	S.RES ERJ3GEYJ 330 V (33)	T	135.2/77.5
R2951	7030003390	S.RES ERJ3GEYJ 391 V (390)	T	115.5/75.4
R2952	7030003260	S.RES ERJ3GEYJ 330 V (33)	T	136.7/77.5
R2953	7030003320	S.RES ERJ3GEYJ 101 V (100)	T	135.9/74.4
R2954	7030003320	S.RES ERJ3GEYJ 101 V (100)	T	137/75.6
R2955	7030003390	S.RES ERJ3GEYJ 391 V (390)	T	140.2/72.2
R2956	7030003680	S.RES ERJ3GEYJ 104 V (100K)	T	141.7/73.4
R2957	7030003440	S.RES ERJ3GEYJ 102 V (1K)	T	17.4/37
R2958	7030003440	S.RES ERJ3GEYJ 102 V (1K)	T	17.4/38.2
R2959	7030003440	S.RES ERJ3GEYJ 102 V (1K)	T	20.3/37.2
R2960	7030003320	S.RES ERJ3GEYJ 101 V (100)	T	20.3/38.4
R2961	7030003320	S.RES ERJ3GEYJ 101 V (100)	T	20.3/39.6
R2962	7030003440	S.RES ERJ3GEYJ 102 V (1K)	T	20.3/40.8
R2963	7030003440	S.RES ERJ3GEYJ 102 V (1K)	T	20.3/42
R2994	7030003320	S.RES ERJ3GEYJ 101 V (100)	T	152.4/6.3
R2995	7030003320	S.RES ERJ3GEYJ 101 V (100)	T	152/5.1
R2996	7030003320	S.RES ERJ3GEYJ 101 V (100)	T	151.7/3.9
R2997	7030003320	S.RES ERJ3GEYJ 101 V (100)	T	151.3/2.7
R3000	7030003680	S.RES ERJ3GEYJ 104 V (100K)	T	135.6/53.2
R3001	7030003680	S.RES ERJ3GEYJ 104 V (100K)	T	137.7/45.2
R3012	7030003360	S.RES ERJ3GEYJ 221 V (220)	T	177.1/2.8
R3013	7030003360	S.RES ERJ3GEYJ 221 V (220)	T	175.9/13.7
R3014	7030003360	S.RES ERJ3GEYJ 221 V (220)	T	185.8/4.6
R3015	7030003360	S.RES ERJ3GEYJ 221 V (220)	T	182/12.4
R3016	7030003360	S.RES ERJ3GEYJ 221 V (220)	T	186.5/10.8
R3018	7030003860	S.RES ERJ3GE JPW V	T	2.7/75.5
R3201	7030003600	S.RES ERJ3GEYJ 223 V (22K)	T	171.8/62.8
R3202	7030003600	S.RES ERJ3GEYJ 223 V (22K)	T	171.8/61.6
R3203	7030003400	S.RES ERJ3GEYJ 471 V (470)	T	173.4/57.8
R3204	7030003680	S.RES ERJ3GEYJ 104 V (100K)	T	172.9/60.2
R3205	7030003560	S.RES ERJ3GEYJ 103 V (10K)	T	170.7/57.8
R3206	7030003680	S.RES ERJ3GEYJ 104 V (100K)	T	171.8/55.4
R3207	7030003800	S.RES ERJ3GEYJ 105 V (1M)	T	178.8/54.2
R3208	7030005691	S.RES ERA3YED 123V (12K)	T	182.4/55.2
R3209	7030003240	S.RES ERJ3GEYJ 220 V (22)	T	183.9/41
R3210	7030003240	S.RES ERJ3GEYJ 220 V (22)	T	183.9/42.2
R3211	7030003640	S.RES ERJ3GEYJ 473 V (47K)	T	188.1/57.2
R3212	7030003680	S.RES ERJ3GEYJ 104 V (100K)	T	181.5/63.7
R3213	7030003680	S.RES ERJ3GEYJ 104 V (100K)	T	180.9/64.9
R3214	7030003460	S.RES ERJ3GEYJ 152 V (1.5K)	T	183.9/43.5
R3215	7030003800	S.RES ERJ3GEYJ 105 V (1M)	T	183.9/39.8
R3216	7030003800	S.RES ERJ3GEYJ 105 V (1M)	T	176.6/34.4
R3217	7030003520	S.RES ERJ3GEYJ 472 V (4.7K)	T	179.7/73.3
R3218	7030003560	S.RES ERJ3GEYJ 103 V (10K)	T	177/73.3
R3219	7030003590	S.RES ERJ3GEYJ 183 V (18K)	T	164.3/73
R3220	7030003560	S.RES ERJ3GEYJ 103 V (10K)	T	166.9/73
R3221	7030003640	S.RES ERJ3GEYJ 473 V (47K)	T	166/68.7
R3222	7030003590	S.RES ERJ3GEYJ 183 V (18K)	T	166.9/70.9
R3223	7030003680	S.RES ERJ3GEYJ 104 V (100K)	T	173.2/74
R3224	7030003680	S.RES ERJ3GEYJ 104 V (100K)	T	172.3/67.2
R3225	7030003860	S.RES ERJ3GE JPW V	T	189.5/38.8
R3226	7030003860	S.RES ERJ3GE JPW V	T	185.2/46.3
R3227	7030003400	S.RES ERJ3GEYJ 471 V (470)	T	83.5/37.5
R3229	7030003440	S.RES ERJ3GEYJ 102 V (1K)	T	16.2/8.6
R3230	7030003440	S.RES ERJ3GEYJ 102 V (1K)	T	15.1/10.1
R3231	7030003440	S.RES ERJ3GEYJ 102 V (1K)	T	15.1/11.6
R3232	7030003440	S.RES ERJ3GEYJ 102 V (1K)	T	15.1/13.2
R3233	7030003440	S.RES ERJ3GEYJ 102 V (1K)	T	17.6/15.9
R3234	7030003280	S.RES ERJ3GEYJ 470 V (47)	T	117.7/49.2
R3235	7030003640	S.RES ERJ3GEYJ 473 V (47K)	T	163.4/68.7
R3236	7030003860	S.RES ERJ3GE JPW V	T	166.7/65.7

[MAIN UNIT]

REF NO.	PARTS NO.	DESCRIPTION	M.	H/V LOCATION
R3237	7030003860	S.RES ERJ3GE JPW V	T	162.6/62.5
R3242	7030010570	S.RES ERJ1TYJ 4R7U (4.7)	T	8.6/95.8
R3243	7030010570	S.RES ERJ1TYJ 4R7U (4.7)	T	16/95.8
R3244	7030010570	S.RES ERJ1TYJ 4R7U (4.7)	T	12.3/95.8
R3248	7030003860	S.RES ERJ3GE JPW V	T	167.7/59
R3249	7030003860	S.RES ERJ3GE JPW V	T	177.6/75.2
R3250	7030003860	S.RES ERJ3GE JPW V	T	175.4/75.1
R3251	7030003860	S.RES ERJ3GE JPW V	T	174.7/67
R3254	7030003860	S.RES ERJ3GE JPW V	T	161.6/69.5
C1	4030006880	S.CER C1608 JB 1H 472K-T	T	173.6/24.2
C2	4030006880	S.CER C1608 JB 1H 472K-T	T	179.2/27.2
C6	4030007090	S.CER C1608 CH 1H 470J-T	T	19.2/30.3
C9	4030007090	S.CER C1608 CH 1H 470J-T	T	16.9/19.5
C10	4030007090	S.CER C1608 CH 1H 470J-T	T	19.2/29.1
C11	4030007090	S.CER C1608 CH 1H 470J-T	T	19.2/31.5
C12	4030007090	S.CER C1608 CH 1H 470J-T	T	19.7/33.9
C14	4030007090	S.CER C1608 CH 1H 470J-T	T	17.1/34.6
C16	4030006880	S.CER C1608 JB 1H 472K-T	T	17.4/31.1
C17	4030011600	S.CER C1608 JB 1E 104K-T	T	193/33.7
C18	4030006880	S.CER C1608 JB 1H 102K-T	T	120/17.6
C19	4030006880	S.CER C1608 JB 1H 102K-T	T	113.5/19.4
C21	4030006880	S.CER C1608 JB 1H 472K-T	T	7.3/33
C22	4030006880	S.CER C1608 JB 1H 102K-T	T	61/44.5
C23	4030006880	S.CER C1608 JB 1H 102K-T	T	125.5/19.3
C24	4030006880	S.CER C1608 JB 1H 472K-T	T	4.7/38.9
C25	4030006880	S.CER C1608 JB 1H 102K-T	T	20.9/4.9
C26	4030006880	S.CER C1608 JB 1H 472K-T	T	7.3/37
C27	4030006880	S.CER C1608 JB 1H 472K-T	T	7.3/34.2
C28	4030006880	S.CER C1608 JB 1H 472K-T	T	18.2/25.5
C29	4030006880	S.CER C1608 JB 1H 472K-T	T	4.7/37.7
C30	4030006880	S.CER C1608 JB 1H 472K-T	T	18.2/26.7
C31	4030011600	S.CER C1608 JB 1E 104K-T	T	166.2/30.5
C32	4030011340	S.CER C1608 CH 1H 471J-T	T	3.3/21.4
C33	4030006880	S.CER C1608 JB 1H 472K-T	T	5.9/16.1
C34	4030006880	S.CER C1608 JB 1H 472K-T	T	7.3/42.1
C35	4030006880	S.CER C1608 JB 1H 472K-T	T	8.6/44.5
C36	4030006880	S.CER C1608 JB 1H 472K-T	T	17.7/67.5
C37	4030011600	S.CER C1608 JB 1E 104K-T	T	5/26
C38	4030006880	S.CER C1608 JB 1H 472K-T	T	18.8/7.9
C39	4030006880	S.CER C1608 JB 1H 102K-T	T	7.3/35.6
C40	4030011340	S.CER C1608 CH 1H 471J-T	T	5.9/19
C41	4030006880	S.CER C1608 JB 1H 472K-T	T	7.3/40.7
C42	4030006880	S.CER C1608 JB 1H 472K-T	T	9.7/45.7
C43	4030011600	S.CER C1608 JB 1E 104K-T	T	4.7/22.8
C44	4030011600	S.CER C1608 JB 1E 104K-T	T	138.6/24.3
C45	4030007090	S.CER C1608 CH 1H 470J-T	T	138.6/23.1
C46	4030009990	S.CER C1608 CH 1H 200J-T	T	141.2/24.3
C47	4030011600	S.CER C1608 JB 1E 104K-T	T	101/75
C48	4030011600	S.CER C1608 JB 1E 104K-T	T	4.8/27.6
C49	4030011600	S.CER C1608 JB 1E 104K-T	T	4.5/29.7
C50	4030007120	S.CER C1608 CH 1H 820J-T	T	144.3/20.9
C51	4030007110	S.CER C1608 CH 1H 680J-T	T	146.9/21.6
C52	4030007070	S.CER C1608 CH 1H 330J-T	T	146.9/23.1
C53	4030006880	S.CER C1608 JB 1H 102K-T	T	180.7/77.9
C56	4030011600	S.CER C1608 JB 1E 104K-T	T	4.5/31.3
C57	4030011600	S.CER C1608 JB 1E 104K-T	T	169.4/75.2
C59	4030007130	S.CER C1608 CH 1H 101J-T	T	170.6/74
C60	4030007090	S.CER C1608 CH 1H 470J-T	T	16.9/20.7
C61	4030011600	S.CER C1608 JB 1E 104K-T	T	6/43.3
C62	4510009820	S.ELLE EEEFK1C470P	T	5.3/49.3
C63	4030006880	S.CER C1608 JB 1H 472K-T	T	164.8/21.3
C64	4030011600	S.CER C1608 JB 1E 104K-T	T	100.5/20.1
C65	4030011600	S.CER C1608 JB 1E 104K-T	T	52/72.1
C66	4030007130	S.CER C1608 CH 1H 101J-T	T	127.5/25
C67	4030018620	S.CER C1608 CH 1H 222J-T	T	186.9/32.8
C68	4030011600	S.CER C1608 JB 1E 104K-T	T	98.6/26.3
C69	4030007130	S.CER C1608 CH 1H 101J-T	T	98.8/15.8
C71	4030007090	S.CER C1608 CH 1H 470J-T	T	151.2/72.8
C81	4030006880	S.CER C1608 JB 1H 472K-T	T	155.6/68
C501	4030007100	S.CER C1608 CH 1H 560J-T	T	157.3/73.6
C502	4030006880	S.CER C1608 JB 1H 472K-T	T	160.5/75.1
C503	4030011600	S.CER C1608 JB 1E 104K-T	T	160.5/73.9
C504	4030006900	S.CER C1608 JB 1H 103K-T	T	156.3/81.4
C505	4030006900	S.CER C1608 JB 1H 103K-T	T	153.1/77.6
C506	4030006900	S.CER C1608 JB 1H 1		

[MAIN UNIT]

REF NO.	PARTS NO.	DESCRIPTION	M.	H/V LOCATION
C539	4030011600	S.CER C1608 JB 1E 104K-T	T	145.1/43.1
C540	4030006860	S.CER C1608 JB 1H 102K-T	T	142.1/40.7
C541	4030006880	S.CER C1608 JB 1H 472K-T	T	158.6/63.1
C542	4030006980	S.CER C1608 CH 1H 070D-T	T	137.9/61.4
C543	4030009520	S.CER C1608 CH 1H 020B-T	T	134.9/65.3
C544	4030009520	S.CER C1608 CH 1H 020B-T	T	145.1/64.4
C545	4030006880	S.CER C1608 JB 1H 472K-T	T	124.6/65.7
C546	4030011600	S.CER C1608 JB 1E 104K-T	T	140.9/40.7
C547	4030007100	S.CER C1608 CH 1H 560J-T	T	147.8/41.9
C548	4030011600	S.CER C1608 JB 1E 104K-T	T	143.3/27.5
C549	4030007100	S.CER C1608 CH 1H 560J-T	T	147.7/43.1
C550	4030011600	S.CER C1608 JB 1E 104K-T	T	138.7/38.8
C551	4030006880	S.CER C1608 JB 1H 472K-T	T	119.9/61.9
C552	4030006880	S.CER C1608 JB 1H 472K-T	T	125.2/49.7
C553	4030006880	S.CER C1608 JB 1H 472K-T	T	133.2/58.1
C554	4030006860	S.CER C1608 JB 1H 102K-T	T	131.3/48.4
C555	4030006880	S.CER C1608 JB 1H 472K-T	T	137.3/50.6
C556	4030008360	S.CER C1608 UJ 1H 101J-T	T	135.1/44.7
C557	4030006880	S.CER C1608 JB 1H 472K-T	T	131.1/47.2
C558	4030006880	S.CER C1608 JB 1H 472K-T	T	124.8/38.2
C559	4030008360	S.CER C1608 UJ 1H 101J-T	T	133/53.2
C560	4030006880	S.CER C1608 JB 1H 472K-T	T	124.8/42.2
C565	4030011600	S.CER C1608 JB 1E 104K-T	T	148.8/30.1
C566	4030011600	S.CER C1608 JB 1E 104K-T	T	149.3/27.6
C567	4030006880	S.CER C1608 JB 1H 472K-T	T	169.4/48.6
C572	4030011600	S.CER C1608 JB 1E 104K-T	T	120.3/43
C574	4030006880	S.CER C1608 JB 1H 472K-T	T	118/57.1
C575	4030011600	S.CER C1608 JB 1E 104K-T	T	94.4/45.1
C576	4030011600	S.CER C1608 JB 1E 104K-T	T	128.2/35.6
C577	4030011600	S.CER C1608 JB 1E 104K-T	T	84.2/38.7
C578	4030011600	S.CER C1608 JB 1E 104K-T	T	111.8/32.3
C581	4030007090	S.CER C1608 CH 1H 470J-T	T	118.8/28.8
C583	4030011600	S.CER C1608 JB 1E 104K-T	T	124.7/37
C584	4510009820	S.ELE EEEFK1C470P	T	128.5/29.9
C585	4030011600	S.CER C1608 JB 1E 104K-T	T	122.3/28.8
C586	4030006880	S.CER C1608 JB 1H 472K-T	T	118.5/23
C587	4030006880	S.CER C1608 JB 1H 472K-T	T	112.6/27.8
C588	4030011600	S.CER C1608 JB 1E 104K-T	T	115.2/27.8
C589	4030011600	S.CER C1608 JB 1E 104K-T	T	113.5/34.7
C590	4030011600	S.CER C1608 JB 1E 104K-T	T	57.7/44.5
C591	4030011600	S.CER C1608 JB 1E 104K-T	T	108.2/38.5
C594	4030011600	S.CER C1608 JB 1E 104K-T	T	72.3/41.7
C595	4030019490	S.CER C2012 JB 1A 106K-T	T	75.5/41.1
C596	4030006880	S.CER C1608 JB 1H 472K-T	T	81.6/47.9
C597	4030017490	S.CER C1608 JB 1A 105K-T	T	76.4/45.3
C598	4030011600	S.CER C1608 JB 1E 104K-T	T	79/45.3
C599	4030006880	S.CER C1608 JB 1H 472K-T	T	74.9/43.3
C600	4030006880	S.CER C1608 JB 1H 472K-T	T	72.3/43.3
C601	4030011600	S.CER C1608 JB 1E 104K-T	T	107.6/30.2
C602	4030011600	S.CER C1608 JB 1E 104K-T	T	96.7/35.7
C603	4030007060	S.CER C1608 CH 1H 270J-T	T	166.9/57.5
C604	4030007040	S.CER C1608 CH 1H 180J-T	T	166.9/56.3
C605	4030007090	S.CER C1608 CH 1H 470J-T	T	168.8/52.5
C607	4030007050	S.CER C1608 CH 1H 220J-T	T	166.1/48.6
C618	4030011600	S.CER C1608 JB 1E 104K-T	T	93.3/32.2
C619	4030011600	S.CER C1608 JB 1E 104K-T	T	90.1/34.5
C620	4030011600	S.CER C1608 JB 1E 104K-T	T	89.9/27.4
C621	4030011600	S.CER C1608 JB 1E 104K-T	T	84.7/35.5
C622	4030011600	S.CER C1608 JB 1E 104K-T	T	84.8/32.1
C623	4030019460	S.CER C1608 JB 0J 106M-T	T	87.3/28.5
C651	4030006880	S.CER C1608 JB 1H 472K-T	T	160.4/53.1
C652	4030011600	S.CER C1608 JB 1E 104K-T	T	88.3/44.4
C653	4030006860	S.CER C1608 JB 1H 102K-T	T	88.3/48
C654	4030007140	S.CER C1608 CH 1H 121J-T	T	88.3/50
C655	4030011600	S.CER C1608 JB 1E 104K-T	T	90/55
C656	4030011600	S.CER C1608 JB 1E 104K-T	T	98.4/51.3
C657	4030019090	S.CER C2012 JB 1C 225M-T	T	90.3/57.7
C658	4030011600	S.CER C1608 JB 1E 104K-T	T	97/45.1
C659	4030007140	S.CER C1608 CH 1H 121J-T	T	98.4/46.3
C660	4030011600	S.CER C1608 JB 1E 104K-T	T	95.5/41.5
C661	4030006860	S.CER C1608 JB 1H 102K-T	T	101.2/40.7
C662	4030011600	S.CER C1608 JB 1E 104K-T	T	97.9/39.1
C663	4030011600	S.CER C1608 JB 1E 104K-T	T	92.4/46.8
C664	4030011600	S.CER C1608 JB 1E 104K-T	T	83.3/41
C665	4030011600	S.CER C1608 JB 1E 104K-T	T	127.6/23.1
C666	4030011600	S.CER C1608 JB 1E 104K-T	T	100.5/21.9
C667	4030011600	S.CER C1608 JB 1E 104K-T	T	70.1/27.3
C669	4030006900	S.CER C1608 JB 1H 103K-T	T	73.3/32.4
C670	4030009880	S.CER C1608 JB 1H 682K-T	T	73.3/31.2
C671	4030006900	S.CER C1608 JB 1H 103K-T	T	72.6/33.6
C672	4030006860	S.CER C1608 JB 1H 102K-T	T	91.5/53.5
C673	4030019460	S.CER C1608 JB 0J 106M-T	T	66.9/34.5
C674	4030017490	S.CER C1608 JB 1A 105K-T	T	66.9/35.7
C675	4030019460	S.CER C1608 JB 0J 106M-T	T	68.3/40
C676	4030017490	S.CER C1608 JB 1A 105K-T	T	68.3/38.8
C677	4030019460	S.CER C1608 JB 0J 106M-T	T	69.7/32.6
C678	4030017490	S.CER C1608 JB 1A 105K-T	T	72/38.3
C679	4030011600	S.CER C1608 JB 1E 104K-T	T	82.6/33.3
C680	4030017490	S.CER C1608 JB 1A 105K-T	T	76/31.2
C681	4030006900	S.CER C1608 JB 1H 103K-T	T	77/26
C682	4030006880	S.CER C1608 JB 1H 472K-T	T	175/22
C683	4030006880	S.CER C1608 JB 1H 472K-T	T	129.8/24.4
C684	4030006860	S.CER C1608 JB 1H 102K-T	T	80.1/26.8
C1021	4030019490	S.CER C2012 JB 1A 106K-T	T	61.4/47.3
C1022	4030011600	S.CER C1608 JB 1E 104K-T	T	59.2/49.4
C1023	4030017490	S.CER C1608 JB 1A 105K-T	T	63.6/46.9
C1024	4030017490	S.CER C1608 JB 1A 105K-T	T	60.6/38.4
C1025	4030019460	S.CER C1608 JB 0J 106M-T	T	54.5/51.1
C1031	4030019460	S.CER C1608 JB 0J 106M-T	T	4.1/83.2
C1032	4030019460	S.CER C1608 JB 0J 106M-T	T	8.5/74.6
C1033	4030017490	S.CER C1608 JB 1A 105K-T	T	50.4/43
C1034	4030011340	S.CER C1608 CH 1H 471J-T	T	51.6/40.6
C1035	4030011600	S.CER C1608 JB 1E 104K-T	T	56.3/41.2
C1036	4030019460	S.CER C1608 JB 0J 106M-T	T	165.8/97.3

[MAIN UNIT]

REF NO.	PARTS NO.	DESCRIPTION	M.	H/V LOCATION
C1037	4030011600	S.CER C1608 JB 1E 104K-T	T	104.6/18.7
C1038	4030019090	S.CER C2012 JB 1C 225M-T	T	107.9/15.9
C1039	4030017490	S.CER C1608 JB 1A 105K-T	T	108.3/14.4
C1040	4030019490	S.CER C2012 JB 1A 106K-T	T	103.9/20.5
C1041	4030019460	S.CER C1608 JB 0J 106M-T	T	2.7/77
C1043	4030019460	S.CER C1608 JB 0J 106M-T	T	53.5/43
C1051	4030018620	S.CER C1608 CH 1H 222J-T	T	15.1/77.4
C1053	4030011600	S.CER C1608 JB 1E 104K-T	T	21.2/80.6
C1054	4030011600	S.CER C1608 JB 1E 104K-T	T	15.1/81
C1055	4030007130	S.CER C1608 CH 1H 101J-T	T	45.2/74.6
C1071	4030019460	S.CER C1608 JB 0J 106M-T	T	159.6/90.3
C1072	4030019460	S.CER C1608 JB 0J 106M-T	T	9.4/82
C1081	4030019460	S.CER C1608 JB 0J 106M-T	T	164.2/91.9
C1082	4030011600	S.CER C1608 JB 1E 104K-T	T	165.8/96.1
C1083	4030006860	S.CER C1608 JB 1H 102K-T	T	157/93.9
C1085	4030011600	S.CER C1608 JB 1E 104K-T	T	2.7/78.2
C1086	4030011600	S.CER C1608 JB 1E 104K-T	T	8.5/77
C1087	4030019460	S.CER C1608 JB 0J 106M-T	T	2.7/73.8
C1088	4030019460	S.CER C1608 JB 0J 106M-T	T	157/92.7
C1089	4030008920	S.CER C1608 JB 1H 473K-T	T	166.9/100.1
C1091	4030008920	S.CER C1608 JB 1H 473K-T	T	168.4/98.8
C1092	4030017490	S.CER C1608 JB 1A 105K-T	T	171/100.1
C1093	4030006900	S.CER C1608 JB 1H 103K-T	T	171/98.8
C1094	4030011600	S.CER C1608 JB 1E 104K-T	T	176.4/95.9
C1095	4510009250	S.ELE EEEFK1C471P	T	172/90.8
C1096	4510009250	S.ELE EEEFK1C471P	T	189.6/91.8
C1097	4030011600	S.CER C1608 JB 1E 104K-T	T	183.2/85.1
C1098	4510009250	S.ELE EEEFK1C471P	T	180.8/90.8
C1511	4030006880	S.CER C1608 JB 1H 472K-T	T	63.7/38
C1512	4030006880	S.CER C1608 JB 1H 472K-T	T	63.8/35
C1520	4030018970	S.CER C3225 JB 1C 226MT-N	T	25.9/74.1
C1521	4030018970	S.CER C3225 JB 1C 226MT-N	T	25.9/77.1
C1522	4030011600	S.CER C1608 JB 1E 104K-T	T	26.7/79.2
C1523	4030011600	S.CER C1608 JB 1E 104K-T	T	30.1/72.2
C1524	4030018970	S.CER C3225 JB 1C 226MT-N	T	30.4/77.1
C1531	4030006880	S.CER C1608 JB 1H 472K-T	T	49.1/41.7
C1532	4030007130	S.CER C1608 CH 1H 101J-T	T	43.3/42.7
C1533	4030007130	S.CER C1608 CH 1H 101J-T	T	47.4/42.9
C1534	4030007130	S.CER C1608 CH 1H 101J-T	T	47.1/34.3
C1553	4030011600	S.CER C1608 JB 1E 104K-T	T	65.6/12.6
C1554	4030011600	S.CER C1608 JB 1E 104K-T	T	66.2/20.8
C1555	4030011600	S.CER C1608 JB 1E 104K-T	T	66.2/26.3
C1556	4030011600	S.CER C1608 JB 1E 104K-T	T	48.5/34
C1557	4030011600	S.CER C1608 JB 1E 104K-T	T	34.2/26.7
C1558	4030011600	S.CER C1608 JB 1E 104K-T	T	34.9/18.5
C1559	4030011600	S.CER C1608 JB 1E 104K-T	T	35.8/11.5
C1560	4030011600	S.CER C1608 JB 1E 104K-T	T	50.3/3.6
C1561	4030011600	S.CER C1608 JB 1E 104K-T	T	67/13.1
C1562	4030011600	S.CER C1608 JB 1E 104K-T	T	65.4/7.3
C1563	4030011600	S.CER C1608 JB 1E 104K-T	T	54.3/3.8
C1564	4030011600	S.CER C1608 JB 1E 104K-T	T	48.8/3.6
C1565	4030011600	S.CER C1608 JB 1E 104K-T	T	40.4/3.2
C1566	4030011600	S.CER C1608 JB 1E 104K-T	T	34.9/15.9
C1567	4030011600	S.CER C1608 JB 1E 104K-T	T	35.9/24.3
C1568	4030011600	S.CER C1608 JB 1E 104K-T	T	35.9/30.4
C1569	4030011600	S.CER C1608 JB 1E 104K-T	T	44.7/34
C1570	4030011600	S.CER C1608 JB 1E 104K-T	T	52.1/34
C1571	4030011600	S.CER C1608 JB 1E 104K-T	T	54.5/34
C1572	4030011600	S.CER C1608 JB 1E 104K-T	T	58.8/33.3
C1573	4030011600	S.CER C1608 JB 1E 104K-T	T	65/27.6
C1574	4030011600	S.CER C1608 JB 1E 104K-T	T	65/19.1
C1575	4030011600	S.CER C1608 JB 1E 104K-T	T	50.9/34
C1576	4030011600	S.CER C1608 JB 1E 104K-T	T	61.4/33.3
C1592	4030017490	S.CER C1608 JB 1A 105K-T	T	78.3/9.9
C1593	4030017490	S.CER C1608 JB 1A 105K-T	T	78.9/24.3
C1594	4030019460	S.CER C1608 JB 0J 106M-T	T	76/8.6
C1595	4510009820	S.ELE EEEFK1C470P	T	78/4.4
C1601	4030011600	S.CER C1608 JB 1E 104K-T	T	45.9/49.4
C1602	4030019490	S.CER C2012 JB 1A 106K-T	T	48.8/49.3
C1603	4030017490	S.CER C1608 JB 1A 105K-T	T	37.2/49.4
C1604	4030017490	S.CER C1608 JB 1A 105K-T	T	53.7/46.6
C1605	40300			

[MAIN UNIT]

REF NO.	PARTS NO.	DESCRIPTION	M.	H/V LOCATION
C1706	4030007170	S.CER C1608 CH 1H 221J-T	T	8.6/67.2
C1707	4030007170	S.CER C1608 CH 1H 221J-T	T	12.7/68.4
C1708	4030007170	S.CER C1608 CH 1H 221J-T	T	15.6/67.2
C1709	4030017490	S.CER C1608 JB 1A 105K-T	T	9.7/73.4
C1710	4030017490	S.CER C1608 JB 1A 105K-T	T	17.2/71.6
C1711	4030011600	S.CER C1608 JB 1E 104K-T	T	8.6/68.4
C1712	4030019490	S.CER C2012 JB 1A 106K-T	T	12.7/73.6
C2011	4030007070	S.CER C1608 CH 1H 330J-T	T	59.8/78.2
C2012	4030006880	S.CER C1608 JB 1H 472K-T	T	70.3/82.1
C2013	4030006860	S.CER C1608 JB 1H 102K-T	T	68.8/78.3
C2014	4030006880	S.CER C1608 JB 1H 472K-T	T	74.9/77.7
C2015	4030006880	S.CER C1608 JB 1H 472K-T	T	64.2/76.9
C2016	4030006880	S.CER C1608 JB 1H 472K-T	T	64.3/83.8
C2017	4030006860	S.CER C1608 JB 1H 102K-T	T	63.3/82.5
C2021	4030006880	S.CER C1608 JB 1H 472K-T	T	62.9/61.2
C2022	4030007100	S.CER C1608 CH 1H 560J-T	T	60.3/61.2
C2023	4030007060	S.CER C1608 CH 1H 270J-T	T	61.4/60
C2024	4030007140	S.CER C1608 CH 1H 121J-T	T	58.8/60
C2025	4030007100	S.CER C1608 CH 1H 560J-T	T	63/56.2
C2026	4030007110	S.CER C1608 CH 1H 680J-T	T	60.4/56.2
C2040	4030007060	S.CER C1608 CH 1H 270J-T	T	71.9/71.6
C2041	4030006880	S.CER C1608 JB 1H 472K-T	T	75.9/70.4
C2042	4030011600	S.CER C1608 JB 1E 104K-T	T	72.7/67.8
C2043	4030006880	S.CER C1608 JB 1H 472K-T	T	72/66.6
C2044	4030011600	S.CER C1608 JB 1E 104K-T	T	72.6/53.8
C2045	4030019490	S.CER C2012 JB 1A 106K-T	T	70.5/53.2
C2046	4030006880	S.CER C1608 JB 1H 472K-T	T	72.6/55
C2047	4030011600	S.CER C1608 JB 1E 104K-T	T	75.2/55
C2048	4030019490	S.CER C2012 JB 1A 106K-T	T	75.5/53.4
C2049	4030011600	S.CER C1608 JB 1E 104K-T	T	71.6/60.6
C2050	4030009880	S.CER C1608 JB 1H 682K-T	T	71.6/59.4
C2051	4030009910	S.CER C1608 CH 1H 040B-T	T	70.1/58.2
C2052	4030009880	S.CER C1608 JB 1H 682K-T	T	69/57
C2053	4030007090	S.CER C1608 CH 1H 470J-T	T	58.9/41.8
C2054	4030018620	S.CER C1608 CH 1H 222J-T	T	69/55.8
C2055	4030006880	S.CER C1608 JB 1H 472K-T	T	65.7/53.6
C2061	4030006990	S.CER C1608 CH 1H 080D-T	T	63/69.3
C2070	4030006980	S.CER C1608 CH 1H 070D-T	T	86.1/77.5
C2071	4030007070	S.CER C1608 CH 1H 330J-T	T	79/81.3
C2072	4030010760	S.CER C1608 CH 1H 331J-T	T	80.5/80.1
C2073	4030007070	S.CER C1608 CH 1H 330J-T	T	81.6/81.3
C2074	4030010760	S.CER C1608 CH 1H 331J-T	T	83.3/80.1
C2075	4030007090	S.CER C1608 CH 1H 470J-T	T	84.2/81.3
C2076	4030007110	S.CER C1608 CH 1H 680J-T	T	86.1/76.3
C2077	4030007040	S.CER C1608 CH 1H 180J-T	T	87.6/81.3
C2078	4030007150	S.CER C1608 CH 1H 151J-T	T	87.6/75.1
C2079	4030011770	S.CER C1608 CH 1H 060B-T	T	85.7/72.8
C2080	4030007150	S.CER C1608 CH 1H 151J-T	T	83.1/73.4
C2081	4030011770	S.CER C1608 CH 1H 060B-T	T	87.2/68.1
C2082	4030007120	S.CER C1608 CH 1H 820J-T	T	83.9/71.7
C2083	4030011770	S.CER C1608 CH 1H 060B-T	T	85.7/74
C2091	4030006860	S.CER C1608 JB 1H 102K-T	T	83.1/66.9
C2092	4030006860	S.CER C1608 JB 1H 102K-T	T	80.1/68.1
C2093	4030006860	S.CER C1608 JB 1H 102K-T	T	80.1/64.3
C2101	4030007080	S.CER C1608 CH 1H 390J-T	T	92/61.5
C2102	4030009530	S.CER C1608 CH 1H 030B-T	T	94.6/62.1
C2103	4030007110	S.CER C1608 CH 1H 680J-T	T	93.4/60.3
C2104	4030006980	S.CER C1608 CH 1H 070D-T	T	96.1/60.9
C2105	4030007030	S.CER C1608 CH 1H 150J-T	T	96.1/59.7
C2131	4030011770	S.CER C1608 CH 1H 060B-T	T	50.2/64.1
C2132	4030007150	S.CER C1608 CH 1H 151J-T	T	52.0/65.4
C2133	4030009910	S.CER C1608 CH 1H 040B-T	T	47.6/64.1
C2134	4030007120	S.CER C1608 CH 1H 820J-T	T	47.6/65.4
C2135	4030009920	S.CER C1608 CH 1H 050B-T	T	45/64.1
C2136	4030007080	S.CER C1608 CH 1H 390J-T	T	45/65.4
C2137	4030006980	S.CER C1608 CH 1H 070D-T	T	43.5/66.6
C2138	4030007050	S.CER C1608 CH 1H 220J-T	T	43.5/68
C2139	4030009530	S.CER C1608 CH 1H 030B-T	T	38.6/66.2
C2140	4030007070	S.CER C1608 CH 1H 330J-T	T	41.1/70
C2141	4030009510	S.CER C1608 CH 1H 010B-T	T	38.5/70
C2142	4030007080	S.CER C1608 CH 1H 390J-T	T	40/71.2
C2143	4030009500	S.CER C1608 CH 1H 0R5B-T	T	40/72.4
C2144	4030007040	S.CER C1608 CH 1H 180J-T	T	42.6/71.2
C2145	4030011770	S.CER C1608 CH 1H 060B-T	T	42.6/72.4
C2151	4030006860	S.CER C1608 JB 1H 102K-T	T	41.5/75
C2152	4030006860	S.CER C1608 JB 1H 102K-T	T	43.3/77.2
C2153	4030011600	S.CER C1608 JB 1E 104K-T	T	42.7/81.5
C2154	4030006990	S.CER C1608 CH 1H 080D-T	T	43.5/83
C2501	4030011600	S.CER C1608 JB 1E 104K-T	T	52.4/85.2
C2502	4030011600	S.CER C1608 JB 1E 104K-T	T	51.3/80.2
C2503	4030006880	S.CER C1608 JB 1H 472K-T	T	57/78.2
C2504	4030011600	S.CER C1608 JB 1E 104K-T	T	57/76.9
C2548	4030011600	S.CER C1608 JB 1E 104K-T	T	42.4/86.1
C2549	4030011600	S.CER C1608 JB 1E 104K-T	T	43.8/86.1
C2550	4030007050	S.CER C1608 CH 1H 220J-T	T	45.9/85.7
C2551	4030011600	S.CER C1608 JB 1E 104K-T	T	46.4/86.9
C2553	4030011600	S.CER C1608 JB 1E 104K-T	T	36.6/92.4
C2554	4030019490	S.CER C2012 JB 1A 106K-T	T	51/90.7
C2555	4030011600	S.CER C1608 JB 1E 104K-T	T	50.8/89.2
C2556	4030019460	S.CER C1608 JB 0J 106M-T	T	49.3/88
C2557	4030011600	S.CER C1608 JB 1E 104K-T	T	51.2/94.7
C2558	4030006880	S.CER C1608 JB 1H 472K-T	T	46.9/99.2
C2559	4030019490	S.CER C2012 JB 1A 106K-T	T	36.3/90.8
C2560	4030007070	S.CER C1608 CH 1H 330J-T	T	43/84.2
C2563	4030007060	S.CER C1608 CH 1H 270J-T	T	65.3/90.3
C2564	4030007120	S.CER C1608 CH 1H 820J-T	T	65.3/95.6
C2565	4030007060	S.CER C1608 CH 1H 270J-T	T	67.5/96.3
C2566	4030007030	S.CER C1608 CH 1H 150J-T	T	65.3/96.8
C2575	4030007100	S.CER C1608 CH 1H 560J-T	T	80.2/95
C2576	4030007070	S.CER C1608 CH 1H 330J-T	T	80.2/90.1
C2577	4030007150	S.CER C1608 CH 1H 151J-T	T	81.7/96.2
C2578	4030007100	S.CER C1608 CH 1H 560J-T	T	82.4/98.6
C2579	4030007040	S.CER C1608 CH 1H 180J-T	T	85.1/95
C2580	4030007080	S.CER C1608 CH 1H 390J-T	T	85.1/93.8

[MAIN UNIT]

REF NO.	PARTS NO.	DESCRIPTION	M.	H/V LOCATION
C2581	4030007050	S.CER C1608 CH 1H 220J-T	T	87.8/93.6
C2582	4030007140	S.CER C1608 CH 1H 121J-T	T	81.7/97.4
C2594	4030007080	S.CER C1608 CH 1H 390J-T	T	54.3/89.2
C2595	4030011600	S.CER C1608 JB 1E 104K-T	T	54.6/96.2
C2596	4030006880	S.CER C1608 JB 1H 472K-T	T	57.4/97.4
C2597	4030006880	S.CER C1608 JB 1H 472K-T	T	68.6/98.2
C2598	4030007090	S.CER C1608 CH 1H 470J-T	T	67.2/91.4
C2599	4030007130	S.CER C1608 CH 1H 101J-T	T	67.9/94.4
C2601	4030006860	S.CER C1608 JB 1H 102K-T	T	94.3/94.2
C2602	4030006860	S.CER C1608 JB 1H 102K-T	T	97.2/90.4
C2603	4030011600	S.CER C1608 JB 1E 104K-T	T	97.2/91.6
C2604	4030006860	S.CER C1608 JB 1H 102K-T	T	100.6/95.8
C2605	4030009990	S.CER C1608 CH 1H 200J-T	T	102.3/92
C2606	4030009530	S.CER C1608 CH 1H 030B-T	T	104.9/92
C2607	4030007070	S.CER C1608 CH 1H 330J-T	T	104.9/89.6
C2608	4030009500	S.CER C1608 CH 1H 0R5B-T	T	104.9/90.8
C2615	4030011600	S.CER C1608 JB 1E 104K-T	T	4.4/24.2
C2623	4030006880	S.CER C1608 JB 1H 472K-T	T	166.6/1.6
C2702	4030006880	S.CER C1608 JB 1H 472K-T	T	105.4/84.1
C2703	4030006860	S.CER C1608 JB 1H 102K-T	T	142.6/92.6
C2704	4510009820	S.ELE EEEFK1C470P	T	153/85.6
C2705	4030006860	S.CER C1608 JB 1H 102K-T	T	150.5/90.2
C2706	4030006860	S.CER C1608 JB 1H 102K-T	T	144.4/87
C2707	4030006860	S.CER C1608 JB 1H 102K-T	T	142.6/79
C2708	4030006860	S.CER C1608 JB 1H 102K-T	T	144.3/73.4
C2711	4030006880	S.CER C1608 JB 1H 472K-T	T	149.4/81.3
C2712	4030006980	S.CER C1608 CH 1H 070D-T	T	153.1/78.9
C2713	4030007050	S.CER C1608 CH 1H 220J-T	T	149.4/78.9
C2714	4030007050	S.CER C1608 CH 1H 220J-T	T	149.4/80.1
C2715	4030007130	S.CER C1608 CH 1H 101J-T	T	98.8/17
C2800	4030009530	S.CER C1608 CH 1H 030B-T	T	121/98.4
C2801	4030010000	S.CER C1608 CH 1H 510J-T	T	117.7/99.6
C2802	4030007060	S.CER C1608 CH 1H 270J-T	T	120.3/99.6
C2803	4030007070	S.CER C1608 CH 1H 330J-T	T	122.9/99.6
C2804	4030006880	S.CER C1608 JB 1H 472K-T	T	125.5/99.6
C2805	4030018580	S.CER C1608 CH 1H 821J-T	T	118.4/98.4
C2806	4030011340	S.CER C1608 CH 1H 471J-T	T	121.6/97.1
C2807	4030007090	S.CER C1608 CH 1H 470J-T	T	126.4/94.6
C2808	4030006980	S.CER C1608 CH 1H 070D-T	T	127/98.4
C2809	4030006880	S.CER C1608 JB 1H 472K-T	T	138.5/97.2
C2810	4030007130	S.CER C1608 CH 1H 101J-T	T	129.2/94.2
C2811	4030009920	S.CER C1608 CH 1H 050B-T	T	128.5/99.6
C2812	4030007120	S.CER C1608 CH 1H 820J-T	T	131.8/94.8
C2813	4030009500	S.CER C1608 CH 1H 0R5B-T	T	133.3/97.2
C2814	4030007060	S.CER C1608 CH 1H 270J-T	T	131.8/96
C2815	4030007110	S.CER C1608 CH 1H 680J-T	T	134.4/96
C2816	4030006880	S.CER C1608 JB 1H 472K-T	T	141.8/95.1
C2817	4030009530	S.CER C1608 CH 1H 030B-T	T	123.6/98.4
C2850	4030009530	S.CER C1608 CH 1H 030B-T	T	122.3/91.6
C2851	4030009500	S.CER C1608 CH 1H 0R5B-T	T	133.3/90.4
C2852	4030007090	S.CER C1608 CH 1H 470J-T	T	118.4/92.8
C2853	4030007060	S.CER C1608 CH 1H 270J-T	T	121/92.8
C2854	4030007060	S.CER C1608 CH 1H 270J-T	T	123.6/93
C2855	4030006880	S.CER C1608 JB 1H 472K-T	T	126.2/93
C2856	4030017800	S.CER C1608 CH 1H 561J-T	T	118.8/91.6
C2857	4030010760	S.CER C1608 CH 1H 331J-T	T	121.7/90.4
C2858	4030010000	S.CER C1608 CH 1H 510J-T	T	125.6/87.8
C2859	4030006980	S.CER C1608 CH 1H 070D-T	T	127.7/91.6
C2860	4030018020	S.CER C1608 CH 1H 910J-T	T	129.2/87.8
C2861	4030006880	S.CER C1608 JB 1H 472K-T	T	138.5/90.4
C2862	4030009530	S.CER C1608 CH 1H 030B-T	T	131/89
C2863	4030018020	S.CER C1608 CH 1H 910J-T	T	131.8/87.8
C2865	4030006880	S.CER C1608 JB 1H 472K-T	T	141.8/88.2
C2866	4030007030	S.CER C1608 CH 1H 150J-T	T	137/88
C2867	4030007150	S.CER C1608 CH 1H 151J-T	T	123.6/87.8
C2900	4030011770	S.CER C1608 CH 1H 060B-T	T	122.3/84.8
C2901	4030007070	S.CER C1608 CH 1H 330J-T	T	118.4/86
C2902	4030010760	S.CER C1608 CH 1H 331J-T	T	119.1/84.8
C2903	4030009990	S.CER C1608 CH 1H 200J-T	T	121/86
C2904	4030007170	S.CER C1608 CH 1H 221J-T	T	122.3/

[MAIN UNIT]

REF NO.	PARTS NO.	DESCRIPTION	M.	H/V LOCATION
C2973	4030011600	S.CER C1608 JB 1E 104K-T	T	94.4/1.8
C2974	4030011600	S.CER C1608 JB 1E 104K-T	T	92.5/11.7
C2975	4030011600	S.CER C1608 JB 1E 104K-T	T	95.1/13.3
C2976	4030011600	S.CER C1608 JB 1E 104K-T	T	92.5/13.4
C2977	4030011600	S.CER C1608 JB 1E 104K-T	T	101.2/6.3
C2981	4030006880	S.CER C1608 JB 1H 472K-T	T	169.3/2.2
C2982	4030019090	S.CER C2012 JB 1C 225M-T	T	148.3/4.1
C2983	4030006880	S.CER C1608 JB 1H 472K-T	T	146.9/1.8
C2984	4030006880	S.CER C1608 JB 1H 472K-T	T	140.4/3.3
C2985	4030006860	S.CER C1608 JB 1H 102K-T	T	123.1/6.3
C2986	4030006860	S.CER C1608 JB 1H 102K-T	T	130.4/5.1
C2987	4030006860	S.CER C1608 JB 1H 102K-T	T	135/3.1
C2988	4030006860	S.CER C1608 JB 1H 102K-T	T	137.8/3.1
C2989	4030006880	S.CER C1608 JB 1H 472K-T	T	181.8/5.8
C2991	4030006880	S.CER C1608 JB 1H 472K-T	T	157.4/3.8
C2992	4030006880	S.CER C1608 JB 1H 472K-T	T	154.8/2.6
C2993	4030006880	S.CER C1608 JB 1H 472K-T	T	160.3/2.6
C2994	4030006880	S.CER C1608 JB 1H 472K-T	T	162.9/1.7
C2996	4030006880	S.CER C1608 JB 1H 472K-T	T	180.4/27.2
C2997	4030006880	S.CER C1608 JB 1H 472K-T	T	181.6/27.2
C2998	4030006880	S.CER C1608 JB 1H 472K-T	T	182.8/27.2
C2999	4030006880	S.CER C1608 JB 1H 472K-T	T	184/27.2
C3000	4030006880	S.CER C1608 JB 1H 472K-T	T	185.2/27.2
C3001	4030006880	S.CER C1608 JB 1H 472K-T	T	186.4/27.2
C3002	4030006880	S.CER C1608 JB 1H 472K-T	T	97/14.6
C3005	4030006880	S.CER C1608 JB 1H 472K-T	T	179/13.7
C3006	4030006880	S.CER C1608 JB 1H 472K-T	T	177.1/1.6
C3010	4030019490	S.CER C2012 JB 1A 106K-T	T	135.9/56
C3011	4030019490	S.CER C2012 JB 1A 106K-T	T	135.5/40.6
C3026	4030006880	S.CER C1608 JB 1H 472K-T	T	136.6/54.4
C3027	4030006880	S.CER C1608 JB 1H 472K-T	T	135.2/42.1
C3201	4030011600	S.CER C1608 JB 1E 104K-T	T	173.4/59
C3202	4030006880	S.CER C1608 JB 1H 472K-T	T	171.8/56.6
C3203	4030011600	S.CER C1608 JB 1E 104K-T	T	174.4/56.6
C3204	4030007040	S.CER C1608 CH 1H 180J-T	T	175.4/53.1
C3205	4030007040	S.CER C1608 CH 1H 180J-T	T	181.7/52.8
C3206	4030019490	S.CER C2012 JB 1A 106K-T	T	175.8/54.7
C3207	4030011600	S.CER C1608 JB 1E 104K-T	T	184.4/57.5
C3208	4030011600	S.CER C1608 JB 1E 104K-T	T	182/54
C3209	4030011600	S.CER C1608 JB 1E 104K-T	T	180.6/66.1
C3210	4030006880	S.CER C1608 JB 1H 472K-T	T	189.9/59.3
C3214	4030011600	S.CER C1608 JB 1E 104K-T	T	169.1/63.8
C3215	4030019490	S.CER C2012 JB 1A 106K-T	T	180.7/45.2
C3216	4030019490	S.CER C2012 JB 1A 106K-T	T	172.9/45.3
C3217	4030019490	S.CER C2012 JB 1A 106K-T	T	183.5/37.6
C3218	4030007040	S.CER C1608 CH 1H 180J-T	T	174/34.4
C3219	4030007040	S.CER C1608 CH 1H 180J-T	T	179.2/34.4
C3220	4030019490	S.CER C2012 JB 1A 106K-T	T	183.6/74.7
C3221	4030017490	S.CER C1608 JB 1A 105K-T	T	182.4/73.2
C3222	4030017490	S.CER C1608 JB 1A 105K-T	T	180/74.5
C3223	4030011600	S.CER C1608 JB 1E 104K-T	T	169.7/67.2
C3224	4030011600	S.CER C1608 JB 1E 104K-T	T	182.2/46.7
C3225	4030019460	S.CER C1608 JB 0J 106M-T	T	169.5/40.4
C3226	4030019490	S.CER C2012 JB 1A 106K-T	T	176.2/45.3
C3227	4030011600	S.CER C1608 JB 1E 104K-T	T	175.9/46.9
C3228	4030019460	S.CER C1608 JB 0J 106M-T	T	171.4/36.3
C3229	4030011600	S.CER C1608 JB 1E 104K-T	T	185.6/38
C3230	4030019490	S.CER C2012 JB 1A 106K-T	T	173.5/65
C3231	4030007090	S.CER C1608 CH 1H 470J-T	T	82.8/27.6
C3232	4030007090	S.CER C1608 CH 1H 470J-T	T	18.8/9.3
C3233	4030007090	S.CER C1608 CH 1H 470J-T	T	17.7/10.7
C3234	4030007090	S.CER C1608 CH 1H 470J-T	T	17.7/12.1
C3235	4030007090	S.CER C1608 CH 1H 470J-T	T	17.7/13.5
C3236	4030007090	S.CER C1608 CH 1H 470J-T	T	17.7/14.7
C3237	4030007150	S.CER C1608 CH 1H 151J-T	T	118/45.4
C3238	4030007150	S.CER C1608 CH 1H 151J-T	T	118/44.2
C3239	4030007150	S.CER C1608 CH 1H 151J-T	T	120.3/47.5
C3240	4030007150	S.CER C1608 CH 1H 151J-T	T	120.3/48.7
C3241	4030006880	S.CER C1608 JB 1H 472K-T	T	96.6/67.9
C3242	4030018970	S.CER C3225 JB 1C 226MT-N	T	30.5/97.5
C3243	4030011600	S.CER C1608 JB 1E 104K-T	T	26.5/99.7
C3244	4030011600	S.CER C1608 JB 1E 104K-T	T	23.4/99.7
C3245	4030018970	S.CER C3225 JB 1C 226MT-N	T	19.4/97.6
C3246	4030019090	S.CER C2012 JB 1C 225M-T	T	21.4/101.3
C3247	4030019090	S.CER C2012 JB 1C 225M-T	T	28.6/101.3
C3248	4030006980	S.CER C1608 CH 1H 070D-T	T	131.8/73
C3249	4030006880	S.CER C1608 JB 1H 472K-T	T	20.4/2.3
C3250	4030007150	S.CER C1608 CH 1H 151J-T	T	165.5/65.3
C3254	4030019460	S.CER C1608 JB 0J 106M-T	T	184.4/56.3
C3255	4030007090	S.CER C1608 CH 1H 470J-T	T	141.4/14.3
J1	6510024151	S.CON 50FY-BMT-TB(LF)(SN)	T	14.1/28.7
J2	6510024151	S.CON 50FY-BMT-TB(LF)(SN)	T	25.3/28.7
J4	6510024151	S.CON 50FY-BMT-TB(LF)(SN)	T	172.7/17.9
J5	6510024151	S.CON 50FY-BMT-TB(LF)(SN)	T	132.9/9.4
J6	6510024151	S.CON 50FY-BMT-TB(LF)(SN)	T	163.1/9.4
J7	6510007020	CON TMP-J01X-V6		
J8	6450000140	CON HSJ0807-01-010		
J9	6450000140	CON HSJ0807-01-010		
J11	6510019971	S.CON 52808-1071	T	89/6.7
J1531	6510025840	S.CON AXN316C038P	T	38.3/38.3
J3201	6510026540	CON UBB-4R-D14T-4D(LF)(SN)		
J3203	6510014961	S.CON B2B-ZR-SM4-TF(LF)(SN)	T	161.9/82.8
EP1	6910018930	S.BEA MPZ2012S601A	T	192.3/86.5
EP2	6910012350	S.BEA MMZ1608Y 102BT	T	186.4/71.8
EP3	6910012350	S.BEA MMZ1608Y 102BT	T	192.8/73
EP5	6910012350	S.BEA MMZ1608Y 102BT	T	195.3/86.6
EP6	6910012350	S.BEA MMZ1608Y 102BT	T	195.3/87.8
EP7	6910012350	S.BEA MMZ1608Y 102BT	T	183.2/80.8
EP8	6910012350	S.BEA MMZ1608Y 102BT	T	183.2/79.6
EP9	6910012350	S.BEA MMZ1608Y 102BT	T	196/73

[MAIN UNIT]

REF NO.	PARTS NO.	DESCRIPTION	M.	H/V LOCATION
EP10	6910012350	S.BEA MMZ1608Y 102BT	T	196/74.2
EP11	6910018930	S.BEA MPZ2012S601A	T	193.1/74.7
EP12	6910012350	S.BEA MMZ1608Y 102BT	T	189/71.8
EP13	6910012350	S.BEA MMZ1608Y 102BT	T	196/71.8
EP31	6910012350	S.BEA MMZ1608Y 102BT	T	164.3/64.9
EP36	6910012350	S.BEA MMZ1608Y 102BT	T	5.9/17.8
EP37	6910012350	S.BEA MMZ1608Y 102BT	T	3.3/20.2
EP38	6910012350	S.BEA MMZ1608Y 102BT	T	93.4/73.2
EP81	6910012350	S.BEA MMZ1608Y 102BT	T	151.1/70.3
EP504	6910002161	CAS CASE-BM7H-LF		
EP541	6910002161	CAS CASE-BM7H-LF		
EP551	6910002161	CAS CASE-BM7H-LF		
EP554	6910012350	S.BEA MMZ1608Y 102BT	T	93.5/69.3
EP1055	6910012350	S.BEA MMZ1608Y 102BT	T	13.2/77.7
EP1056	6910012350	S.BEA MMZ1608Y 102BT	T	4.1/85.6
EP1081	6910012350	S.BEA MMZ1608Y 102BT	T	163.5/90
EP1551	6910012350	S.BEA MMZ1608Y 102BT	T	43.5/34
EP2091	6910012350	S.BEA MMZ1608Y 102BT	T	80.1/69.4
EP2151	6910012350	S.BEA MMZ1608Y 102BT	T	45.2/77.9
EP2501	6910012350	S.BEA MMZ1608Y 102BT	T	57/81.9
EP2502	6910012350	S.BEA MMZ1608Y 102BT	T	38.2/80.3
EP2541	6910012350	S.BEA MMZ1608Y 102BT	T	37.9/84.6
EP2542	6910012350	S.BEA MMZ1608Y 102BT	T	36/85
EP2544	6910012350	S.BEA MMZ1608Y 102BT	T	37.9/85.8
EP2561	6910002161	CAS CASE-BM7H-LF		
EP2566	6910002161	CAS CASE-BM7H-LF		
EP2601	6910012350	S.BEA MMZ1608Y 102BT	T	99.8/90.4
EP2602	6910019200	S.BEA N2012ZPS121T50	T	171.1/22.1
EP2603	6910012350	S.BEA MMZ1608Y 102BT	T	178/23.5
EP2605	6910018930	S.BEA MPZ2012S601A	T	133.4/5.1
EP2607	6910018930	S.BEA MPZ2012S601A	T	140.1/5.1
EP2608	6910018930	S.BEA MPZ2012S601A	T	8.7/27.6
EP2609	6910012350	S.BEA MMZ1608Y 102BT	T	9/26
EP2610	6910018930	S.BEA MPZ2012S601A	T	8.9/29.6
EP2611	6910019200	S.BEA N2012ZPS121T50	T	126.9/6.1
EP2612	6910018930	S.BEA MPZ2012S601A	T	8.8/22.6
EP2613	6910018930	S.BEA MPZ2012S601A	T	165.1/86.3
EP2614	6910018930	S.BEA MPZ2012S601A	T	159.6/86.7
EP2615	6910018930	S.BEA MPZ2012S601A	T	8.8/24.4
EP2618	6910012350	S.BEA MMZ1608Y 102BT	T	169.3/3.4
EP2619	6910012350	S.BEA MMZ1608Y 102BT	T	181/15.7
EP2620	6910012350	S.BEA MMZ1608Y 102BT	T	177.1/15.6
EP2621	6910012350	S.BEA MMZ1608Y 102BT	T	184.4/5.8
EP2622	6910018930	S.BEA MPZ2012S601A	T	171.8/12.8
EP2627	6910012350	S.BEA MMZ1608Y 102BT	T	162.9/2.9
EP2628	6910012350	S.BEA MMZ1608Y 102BT	T	160.3/3.8
EP2629	6910012350	S.BEA MMZ1608Y 102BT	T	157.4/2.6
EP2630	6910012350	S.BEA MMZ1608Y 102BT	T	157.4/5
EP2633	6910012350	S.BEA MMZ1608Y 102BT	T	185.2/23.5
EP2634	6910012350	S.BEA MMZ1608Y 102BT	T	184/23.5
EP2635	6910012350	S.BEA MMZ1608Y 102BT	T	182.8/23.5
EP2636	6910012350	S.BEA MMZ1608Y 102BT	T	181.6/23.5
EP2637	6910012350	S.BEA MMZ1608Y 102BT	T	180.4/23.5
EP2638	6910012350	S.BEA MMZ1608Y 102BT	T	186.4/23.5
EP2641	6910012350	S.BEA MMZ1608Y 102BT	T	132.9/56
EP2642	6910012350	S.BEA MMZ1608Y 102BT	T	137.7/44
EP2643	6910012350	S.BEA MMZ1608Y 102BT	T	24.1/79.2
EP2646	6910018930	S.BEA MPZ2012S601A	T	8.9/31.3
EP2970	6910012350	S.BEA MMZ1608Y 102BT	T	93.5/67.6
EP2971	6910012350	S.BEA MMZ1608Y 102BT	T	92.5/10.5
EP2972	6910012350	S.BEA MMZ1608Y 102BT	T	96.1/11.5
EP3201	6910012350	S.BEA MMZ1608Y 102BT	T	185.2/60.5
EP3202	6910012350	S.BEA MMZ1608Y 102BT	T	183.7/44.9
EP3203	6910012350	S.BEA MMZ1608Y 102BT	T	182.4/72
EP3204	6910012350	S.BEA MMZ1608Y 102BT	T	179.5/75.7
EP3205	6910012350	S.BEA MMZ1608Y 102BT	T	185.6/36.8
EP3206	6910012350	S.BEA MMZ1608Y 102BT	T	184.2/48.2
EP3207	6910012350	S.BEA MMZ1608Y 102BT	T	190.3/53.5
EP3208	6910012350	S.BEA MMZ1608Y 102BT	T	172.2/75.2
EP3241	6910012350	S.BEA MMZ1608Y 102BT	T	166.7/35.7
EP3242	6910012350	S.BEA MMZ1608Y 102BT	T	165.5/33.1

M.=Mounted side (T: Mounted on the Top side, B: Mounted on the Bottom side)  
S.=Surface mount

[RF UNIT]

REF NO.	PARTS NO.	DESCRIPTION	M.	H/V LOCATION
IC141	1130011760	S.IC CD4094BPWR	T	13.7/15.8
IC142	1130011760	S.IC CD4094BPWR	T	14.1/29.6
IC181	1110006870	S.IC UPC2709TB-E3	T	57.8/60.4
IC462	1110004050	S.IC NJM3404AV-TE1-#FMZB	T	4.8/37.8
IC463	1110004050	S.IC NJM3404AV-TE1-#FMZB	T	14.6/47.8
IC464	1110004050	S.IC NJM3404AV-TE1-#FMZB	T	6/14.4
Q12	1590000680	S.TRA DTC114EUA T106	T	55.4/16.5
Q141	1590001960	S.TRA XP4311(TX)	T	19.7/54.9
Q142	1590001960	S.TRA XP4311(TX)	T	19.9/48.7
Q143	1590001960	S.TRA XP4311(TX)	T	19.8/42.3
Q144	1590001960	S.TRA XP4311(TX)	T	18.3/36
Q145	1590001960	S.TRA XP4311(TX)	T	20/30.4
Q146	1590001960	S.TRA XP4311(TX)	T	19.6/24.7
Q147	1590001960	S.TRA XP4311(TX)	T	19/19.5
Q148	1590001960	S.TRA XP4311(TX)	T	19.1/13.4
Q155	1590001960	S.TRA XP4311(TX)	T	60.6/28.6
Q156	1590001960	S.TRA XP4311(TX)	T	19.8/60
Q157	1590001960	S.TRA XP4311(TX)	T	21.3/64.2
Q161	1530003091	S.TRA 2SC4213-B(TE85R,F)	T	57.2/43.6
Q380	1530003851	S.TRA 2SC5551F-TD-E 0	T	41.6/70.9
Q441	1530003851	S.TRA 2SC5551F-TD-E 0	T	7.5/64.2
Q442	1590001960	S.TRA XP4311(TX)	T	6.7/55.2
Q443	1590001960	S.TRA XP4311(TX)	T	9.3/55
Q461	1510000510	S.TRA 2SA1576A T106R	T	4.6/26
Q462	1590001050	S.TRA DTC114TUA T106	T	10.6/47.5
Q463	1590000680	S.TRA DTC114EUA T106	T	10.3/40.9
Q464	1590000720	S.TRA DTA144EUA T106	T	8.8/45.9
Q480	1530003091	S.TRA 2SC4213-B(TE85R,F)	T	2.3/23.2
Q501	1540000550	S.TRA 2SD1664 T100Q	T	55.3/84.8
Q503	1590001960	S.TRA XP4311(TX)	T	63.4/44.7
D1	1790000970	S.DIO MA729(TX)	T	68.6/8.4
D2	1790000970	S.DIO MA729(TX)	T	70.5/8.4
D3	1790001250	S.DIO MA2S111-(TX)	T	50.4/16.9
D141	1790001250	S.DIO MA2S111-(TX)	T	13.7/21.2
D142	1790001250	S.DIO MA2S111-(TX)	T	12.5/21.2
D143	1790001250	S.DIO MA2S111-(TX)	T	14.3/10.7
D144	1790001250	S.DIO MA2S111-(TX)	T	13.1/10.7
D145	1790001250	S.DIO MA2S111-(TX)	T	15.2/24.4
D146	1790001250	S.DIO MA2S111-(TX)	T	14/24.4
D164	1790001621	S.DIO 1SV308(TPL3,F)	T	52.2/31.7
D165	1790001621	S.DIO 1SV308(TPL3,F)	T	57.4/35.6
D167	1790001621	S.DIO 1SV308(TPL3,F)	T	55/48.8
D168	1790001621	S.DIO 1SV308(TPL3,F)	T	55.3/43.9
D181	1790001250	S.DIO MA2S111-(TX)	T	56.6/56.6
D182	1790001250	S.DIO MA2S111-(TX)	T	56.6/55.4
D201	1790001621	S.DIO 1SV308(TPL3,F)	T	53.3/44.4
D221	1790001621	S.DIO 1SV308(TPL3,F)	T	22.8/13.1
D222	1790001621	S.DIO 1SV308(TPL3,F)	T	37.8/15
D241	1790001621	S.DIO 1SV308(TPL3,F)	T	22.8/22.1
D242	1790001621	S.DIO 1SV308(TPL3,F)	T	39.1/21.8
D261	1790001621	S.DIO 1SV308(TPL3,F)	T	34.2/27.9
D262	1790001621	S.DIO 1SV308(TPL3,F)	T	22.9/27.1
D281	1790001621	S.DIO 1SV308(TPL3,F)	T	41/34
D282	1790001621	S.DIO 1SV308(TPL3,F)	T	23/33.7
D301	1790001621	S.DIO 1SV308(TPL3,F)	T	41/40.1
D302	1790001621	S.DIO 1SV308(TPL3,F)	T	23/39.8
D321	1790001621	S.DIO 1SV308(TPL3,F)	T	40.9/46.2
D322	1790001621	S.DIO 1SV308(TPL3,F)	T	23/45.9
D341	1790001621	S.DIO 1SV308(TPL3,F)	T	40.9/52.3
D342	1790001621	S.DIO 1SV308(TPL3,F)	T	23/52
D361	1790001621	S.DIO 1SV308(TPL3,F)	T	44.3/57.1
D362	1790001621	S.DIO 1SV308(TPL3,F)	T	23/58.1
D381	1790001621	S.DIO 1SV308(TPL3,F)	T	27.6/70.4
D382	1790001621	S.DIO 1SV308(TPL3,F)	T	49.3/65.3
D401	1790001621	S.DIO 1SV308(TPL3,F)	T	49.3/64.1
D402	1790001621	S.DIO 1SV308(TPL3,F)	T	26.3/61
D441	1790001621	S.DIO 1SV308(TPL3,F)	T	14.1/63.7
D442	1790001621	S.DIO 1SV308(TPL3,F)	T	17.3/72.6
D443	1790001621	S.DIO 1SV308(TPL3,F)	T	14.1/64.9
D444	1790001621	S.DIO 1SV308(TPL3,F)	T	14.8/72.6
D461	1790001250	S.DIO MA2S111-(TX)	T	8.6/43.2
D462	1790001250	S.DIO MA2S111-(TX)	T	8.5/30.4
D463	1790001250	S.DIO MA2S111-(TX)	T	10.4/44.2
D464	1790001250	S.DIO MA2S111-(TX)	T	7.5/51
D465	1790001240	S.DIO MA2S728-(TX)	T	9.7/37.2
D471	1790001240	S.DIO MA2S728-(TX)	T	13.4/40.6
D491	1790001240	S.DIO MA2S728-(TX)	T	16.4/42.1
D494	1790001250	S.DIO MA2S111-(TX)	T	7.3/22.8
D495	1790001250	S.DIO MA2S111-(TX)	T	7.3/24
D501	1790001250	S.DIO MA2S111-(TX)	T	66.8/43.4
D502	1790001330	S.ZEN MA8036-(LTX)	T	10.2/25.7
D503	1790001250	S.DIO MA2S111-(TX)	T	8.3/26.4
D504	1790001250	S.DIO MA2S111-(TX)	T	8.3/25.2
D505	1790001621	S.DIO 1SV308(TPL3,F)	T	55.8/41.5
L1	6140004721	COI LR-532A	T	
L2	6200002041	S.COI NLV25T-101J	T	66.4/12.9
L3	6200002041	S.COI NLV25T-101J	T	72.7/12.9
L4	6200002041	S.COI NLV25T-101J	T	50.7/18.8
L161	6200011410	S.COI C2520C-82NG-A	T	48.1/23.2
L163	6200002041	S.COI NLV25T-101J	T	51.6/26.7
L167	6200002041	S.COI NLV25T-101J	T	58.2/46.8
L168	6200002041	S.COI NLV25T-101J	T	57.4/49.6
L169	6200010660	S.COI C2520C-R15G-A (0.15U)	T	44.8/18.3
L170	6200002041	S.COI NLV25T-101J	T	55.7/27.8
L181	6200005011	S.COI NLV25T-100J	T	60.4/59.3
L183	6200005011	S.COI NLV25T-100J	T	44.8/78.6
L201	6200005491	S.COI NLV32T-331J	T	52.6/48.6
L202	6200002961	S.COI NLV32T-4R7J	T	49.1/47.9

[RF UNIT]

REF NO.	PARTS NO.	DESCRIPTION	M.	H/V LOCATION
L203	6200003321	S.COI NLV32T-3R3J	T	45.7/49.8
L204	6200003261	S.COI NLV32T-101J	T	51.1/42.2
L205	6200003261	S.COI NLV32T-101J	T	45.9/42.2
L221	6200001851	S.COI NLV32T-5R6J	T	29.5/13.6
L222	6200003111	S.COI NLV32T-6R8J	T	25.9/14.6
L241	6200002041	S.COI NLV25T-101J	T	39.4/19.9
L242	6200003091	S.COI NLV32T-2R7J	T	35/20.8
L243	6200003101	S.COI NLV32T-3R9J	T	31.6/21.4
L244	6200002961	S.COI NLV32T-4R7J	T	28.2/19.5
L245	6200001851	S.COI NLV32T-5R6J	T	24.5/19.9
L261	6200002041	S.COI NLV25T-101J	T	34.2/26
L262	6200002991	S.COI NLV32T-2R2J	T	31.1/26.3
L263	6200002991	S.COI NLV32T-2R2J	T	26.2/27.1
L281	6200002041	S.COI NLV25T-101J	T	40.3/31.8
L282	6200003051	S.COI NLV32T-R82J	T	37.2/32.9
L283	6200003061	S.COI NLV32T-1R2J	T	32.4/32.3
L284	6200003081	S.COI NLV32T-1R8J	T	29/30.4
L285	6200003071	S.COI NLV32T-1R5J	T	25.6/32.3
L291	6200011410	S.COI C2520C-82NG-A	T	21.1/36.7
L301	6200002041	S.COI NLV25T-101J	T	40.3/37.9
L302	6200003061	S.COI NLV32T-1R2J	T	37.2/39
L303	6200003331	S.COI NLV32T-1R0J	T	32.4/38.4
L304	6200003051	S.COI NLV32T-R82J	T	29/36.5
L305	6200003061	S.COI NLV32T-1R2J	T	25.6/38.4
L321	6200002041	S.COI NLV25T-101J	T	40.3/44
L322	6200003031	S.COI NLV32T-R47J	T	37.2/45.1
L323	6200002981	S.COI NLV32T-R56J	T	32.4/44.5
L324	6200003041	S.COI NLV32T-R68J	T	29/42.6
L325	6200003051	S.COI NLV32T-R82J	T	25.6/44.5
L341	6200002041	S.COI NLV25T-101J	T	40.3/50.1
L342	6200003251	S.COI NLV32T-R39J	T	37.2/51.2
L343	6200003251	S.COI NLV32T-R39J	T	32.4/50.6
L344	6200003031	S.COI NLV32T-R47J	T	29/48.7
L345	6200002981	S.COI NLV32T-R56J	T	25.6/50.6
L361	6200002041	S.COI NLV25T-101J	T	40.6/56.4
L362	6200010740	S.COI C2520C-R27G-A	T	37.3/57.3
L363	6200010740	S.COI C2520C-R27G-A	T	32.4/56.7
L364	6200010870	S.COI C2520C-R33G-A (0.33U)	T	29/54.8
L365	6200011450	S.COI C2520C-R39G-A	T	25.6/56.7
L381	6200003001	S.COI NLV32T-R22J	T	45.6/68.3
L382	6200003251	S.COI NLV32T-R39J	T	49.9/67.5
L383	6200005011	S.COI NLV25T-100J	T	30.7/72.9
L384	6200002041	S.COI NLV25T-101J	T	40.1/66.5
L385	6140004601	S.COI LR-518A	T	35.5/71
L386	6200002041	S.COI NLV25T-101J	T	27.8/68.5
L401	6200003011	S.COI NLV32T-R27J	T	43.8/62
L402	6200003421	S.COI NLV32T-R15J	T	47.2/61
L403	6180002961	S.COI NLV32T-R18J	T	40.4/61.6
L404	6200003421	S.COI NLV32T-R15J	T	37/63.6
L405	6200001471	S.COI NLV32T-R12J	T	32/65.1
L406	6200001471	S.COI NLV32T-R12J	T	27.1/63.8
L421	6200005491	S.COI NLV32T-331J	T	24.3/8.5
L441	6200002041	S.COI NLV25T-101J	T	18.3/63.4
L442	6200002041	S.COI NLV25T-101J	T	11.5/64.4
L443	6200002041	S.COI NLV25T-101J	T	14.1/66.8
L444	6140004591	S.COI LR-517A	T	6.6/71.7
L445	6200002041	S.COI NLV25T-101J	T	11.2/70.4
L446	6200002041	S.COI NLV25T-101J	T	11.2/74
L447	6200002041	S.COI NLV25T-101J	T	14.5/61.1
L448	6200002041	S.COI NLV25T-101J	T	20.1/74.8
L449	6200010650	S.COI C2520C-R12G-A (0.12U)	T	8.3/76.8
L450	6200010660	S.COI C2520C-R15G-A (0.15U)	T	19.1/69.9
L501	6200005011	S.COI NLV25T-100J	T	63.2/40.3
L502	6200005011	S.COI NLV25T-100J	T	65.6/75.4
L505	6200005011	S.COI NLV25T-100J	T	65.5/71
L506	6200005011	S.COI NLV25T-100J	T	61.2/68.3
L507	6200002041	S.COI NLV25T-101J	T	78/91.8
L508	6200005011	S.COI NLV25T-100J	T	73.1/91.7
L509	6200005011	S.COI NLV25T-100J	T	69.5/92.2
L510	6200002041	S.COI NLV25T-101J	T	66.2/89.7
L511	6200002041	S.COI NLV25T-101J	T	65.8/81.9
L512	6200002041	S.COI NLV25T-101J	T	56.3/38.3
R1	7540000250	ABS SA05C 401N	T	
R2	7030003590	S.RES ERJ3GEYJ 183 V (18K)	T	79.6/14.9
R3	7030008190	S.RES ERJ12YJ330U (33)	T	69.5/5
R4	7030003560	S.RES ERJ3GEYJ 103 V (10K)	T	66.1/8.6
R5	7030003560	S.RES ERJ3GEYJ 103 V (10K)	T	72.9/8.6
R6	7030003860	S.RES ERJ3GE JPW V	T	66.1/11
R7	7030003860	S.RES ERJ3GE JPW V	T	72.9/11
R8	7030003640	S.RES ERJ3GEYJ 473 V (47K)	T	68.6/11.8
R9	7030003640	S.RES ERJ3GEYJ 473 V (47K)	T	70.5/11.8
R10	7030003580	S.RES ERJ3GEYJ 153 V (15K)	T	79.6/17.5
R161	7030003560	S.RES ERJ3GEYJ 103 V (10K)	T	57.3/40.2
R163	7030003400	S.RES ERJ3GEYJ 471 V (470)	T	50.6/29.1
R164	7030003290	S.RES ERJ3GEYJ 560 V (56)	T	56/35.7
R165	7030003400	S.RES ERJ3GEYJ 471 V (470)	T	57.4/33
R166	7030003440	S.RES ERJ3GEYJ 102 V (1K)	T	55.7/47
R167	7030003400	S.RES ERJ3GEYJ 471 V (470)	T	56.1/33
R168	7030003400	S.RES ERJ3GEYJ 471 V (470)	T	54.8/33
R169	7030003680	S.RES ERJ3GEYJ 104 V (100K)	T	58.9/26.5
R181	7030003370	S.RES ERJ3GEYJ 271 V (270)	T	54.1/66
R182	7030003230	S.RES ERJ3GEYJ 180 V (18)	T	56.7/66
R183	7030003370	S.RES ERJ3GEYJ 271 V (270)	T	56.7/63.5
R184	7030003220	S.RES ERJ3GEYJ 150 V (15)	T	61/56.1
R185</				



[RF UNIT]

REF NO.	PARTS NO.	DESCRIPTION	M.	H/V LOCATION
R224	7030003320	S.RES ERJ3GEYJ 101 V (100)	T	36.9/13.6
R225	7030003320	S.RES ERJ3GEYJ 101 V (100)	T	36.9/12.4
R241	7030003320	S.RES ERJ3GEYJ 101 V (100)	T	38/18
R242	7030003320	S.RES ERJ3GEYJ 101 V (100)	T	23.1/17.3
R261	7030003320	S.RES ERJ3GEYJ 101 V (100)	T	37.3/24.1
R262	7030003320	S.RES ERJ3GEYJ 101 V (100)	T	37.3/25.3
R281	7030003320	S.RES ERJ3GEYJ 101 V (100)	T	39.5/29.5
R282	7030003320	S.RES ERJ3GEYJ 101 V (100)	T	23.4/30.1
R301	7030003320	S.RES ERJ3GEYJ 101 V (100)	T	39.6/35.6
R302	7030003320	S.RES ERJ3GEYJ 101 V (100)	T	23.4/37.6
R321	7030003320	S.RES ERJ3GEYJ 101 V (100)	T	39.5/41.7
R322	7030003320	S.RES ERJ3GEYJ 101 V (100)	T	23.4/43.7
R341	7030003320	S.RES ERJ3GEYJ 101 V (100)	T	39.6/47.8
R342	7030003320	S.RES ERJ3GEYJ 101 V (100)	T	23.4/49.5
R361	7030003320	S.RES ERJ3GEYJ 101 V (100)	T	41.8/53.9
R362	7030003320	S.RES ERJ3GEYJ 101 V (100)	T	23.3/55.7
R381	7030003320	S.RES ERJ3GEYJ 101 V (100)	T	31.5/75.3
R382	7030003320	S.RES ERJ3GEYJ 101 V (100)	T	49.6/73.8
R383	7030003280	S.RES ERJ3GEYJ 470 V (47)	T	36/67.4
R384	7030003440	S.RES ERJ3GEYJ 102 V (1K)	T	44.8/71.9
R385	7030003490	S.RES ERJ3GEYJ 272 V (2.7K)	T	47.2/71.9
R401	7030003320	S.RES ERJ3GEYJ 101 V (100)	T	40.1/59.4
R402	7030003320	S.RES ERJ3GEYJ 101 V (100)	T	48.1/58.9
R421	7030003640	S.RES ERJ3GEYJ 473 V (47K)	T	39.8/13.6
R422	7030003640	S.RES ERJ3GEYJ 473 V (47K)	T	35.1/17.1
R423	7030003640	S.RES ERJ3GEYJ 473 V (47K)	T	40/24.1
R424	7030003640	S.RES ERJ3GEYJ 473 V (47K)	T	37/30.3
R425	7030003640	S.RES ERJ3GEYJ 473 V (47K)	T	37/36.4
R426	7030003640	S.RES ERJ3GEYJ 473 V (47K)	T	37.2/42.4
R427	7030003640	S.RES ERJ3GEYJ 473 V (47K)	T	37/48.6
R428	7030003640	S.RES ERJ3GEYJ 473 V (47K)	T	37.7/53.8
R429	7030003640	S.RES ERJ3GEYJ 473 V (47K)	T	34.2/75.3
R430	7030003640	S.RES ERJ3GEYJ 473 V (47K)	T	48.1/57.7
R431	7030003400	S.RES ERJ3GEYJ 471 V (470)	T	22.9/11.1
R441	7030003400	S.RES ERJ3GEYJ 471 V (470)	T	16/64.2
R442	7030003370	S.RES ERJ3GEYJ 271 V (270)	T	14.8/56.4
R443	7030003440	S.RES ERJ3GEYJ 102 V (1K)	T	17.4/73.9
R444	7030003560	S.RES ERJ3GEYJ 103 V (10K)	T	12.7/57.2
R445	7030003280	S.RES ERJ3GEYJ 470 V (47)	T	16.3/66.8
R446	7030003320	S.RES ERJ3GEYJ 101 V (100)	T	7.2/67.4
R447	7030003440	S.RES ERJ3GEYJ 102 V (1K)	T	6.9/60.5
R448	7030003320	S.RES ERJ3GEYJ 101 V (100)	T	4.5/66.6
R449	7030003480	S.RES ERJ3GEYJ 222 V (2.2K)	T	9.3/60.5
R450	7030003370	S.RES ERJ3GEYJ 271 V (270)	T	11.4/60.5
R460	7030003740	S.RES ERJ3GEYJ 334 V (330K)	T	7.9/39.1
R462	7030003720	S.RES ERJ3GEYJ 224 V (220K)	T	2.6/42.9
R463	7030003680	S.RES ERJ3GEYJ 104 V (100K)	T	7.8/37.9
R464	7030003840	S.RES ERJ3GEYJ 225 V (2.2M)	T	5.2/42.2
R465	7030003380	S.RES ERJ3GEYJ 331 V (330)	T	7.8/42
R466	7030003680	S.RES ERJ3GEYJ 104 V (100K)	T	3.9/31.7
R467	7030003840	S.RES ERJ3GEYJ 225 V (2.2M)	T	4.4/33.2
R468	7030003720	S.RES ERJ3GEYJ 224 V (220K)	T	1.8/33.2
R469	7030003590	S.RES ERJ3GEYJ 183 V (18K)	T	1.8/35.8
R470	7030003400	S.RES ERJ3GEYJ 471 V (470)	T	7.4/32.5
R472	7030003600	S.RES ERJ3GEYJ 223 V (22K)	T	6.5/31.3
R475	7030003860	S.RES ERJ3GE JPW V	T	16.3/43.4
R476	7030003580	S.RES ERJ3GEYJ 153 V (15K)	T	13.7/43.1
R477	7030003400	S.RES ERJ3GEYJ 471 V (470)	T	11.1/42.9
R478	7030003440	S.RES ERJ3GEYJ 102 V (1K)	T	5.9/28.1
R479	7030003680	S.RES ERJ3GEYJ 104 V (100K)	T	6.5/25.8
R480	7030003860	S.RES ERJ3GE JPW V	T	6.3/29.6
R482	7030003560	S.RES ERJ3GEYJ 103 V (10K)	T	1.8/41
R483	7030003320	S.RES ERJ3GEYJ 101 V (100)	T	7.3/33.7
R484	7030003820	S.RES ERJ3GEYJ 155 V (1.5M)	T	11.5/45.4
R485	7030003840	S.RES ERJ3GEYJ 225 V (2.2M)	T	14.8/52.4
R486	7030003770	S.RES ERJ3GEYJ 564 V (560K)	T	16.7/53.1
R487	7030003760	S.RES ERJ3GEYJ 474 V (470K)	T	17.6/50
R488	7030003500	S.RES ERJ3GEYJ 332 V (3.3K)	T	12/52.4
R489	7030003520	S.RES ERJ3GEYJ 472 V (4.7K)	T	4.7/57.7
R490	7030003640	S.RES ERJ3GEYJ 473 V (47K)	T	16.1/40.1
R492	7030003740	S.RES ERJ3GEYJ 334 V (330K)	T	6.1/52.4
R494	7030003440	S.RES ERJ3GEYJ 102 V (1K)	T	2.4/21.2
R495	7030003560	S.RES ERJ3GEYJ 103 V (10K)	T	5.5/22.9
R496	7030003600	S.RES ERJ3GEYJ 223 V (22K)	T	1.8/38.4
R501	7030003320	S.RES ERJ3GEYJ 101 V (100)	T	3.5/18.7
R502	7030003680	S.RES ERJ3GEYJ 104 V (100K)	T	6.5/19.6
R503	7030003700	S.RES ERJ3GEYJ 154 V (150K)	T	9.4/17.4
R504	7030003700	S.RES ERJ3GEYJ 154 V (150K)	T	8.7/19.3
R505	7030003680	S.RES ERJ3GEYJ 104 V (100K)	T	3.3/11.7
R506	7030003680	S.RES ERJ3GEYJ 104 V (100K)	T	3.3/14.3
R507	7030003400	S.RES ERJ3GEYJ 471 V (470)	T	2.1/11.7
R508	7030003680	S.RES ERJ3GEYJ 104 V (100K)	T	7.1/9.8
R513	7030003560	S.RES ERJ3GEYJ 103 V (10K)	T	62.1/84.1
R514	7030003860	S.RES ERJ3GE JPW V	T	71.9/33
R515	7030003860	S.RES ERJ3GE JPW V	T	73.5/44.8
R516	7030003860	S.RES ERJ3GE JPW V	T	73.5/49.5
R517	7030003360	S.RES ERJ3GEYJ 221 V (220)	T	59.6/84.1
R519	7030003320	S.RES ERJ3GEYJ 101 V (100)	T	10.7/50
R520	7030003320	S.RES ERJ3GEYJ 101 V (100)	T	44.1/85.8
R521	7030003320	S.RES ERJ3GEYJ 101 V (100)	T	41/85.8
R522	7030003320	S.RES ERJ3GEYJ 101 V (100)	T	36.8/85.8
R523	7030003320	S.RES ERJ3GEYJ 101 V (100)	T	36.2/85.8
R525	7030003560	S.RES ERJ3GEYJ 103 V (10K)	T	8.5/28.1
R527	7030003440	S.RES ERJ3GEYJ 102 V (1K)	T	59.7/42.1
R528	7030003560	S.RES ERJ3GEYJ 103 V (10K)	T	59.7/43.3
R529	7030009830	S.RES ERJ12YJ391U (390)	T	61.1/37.1
R530	7030003390	S.RES ERJ3GEYJ 391 V (390)	T	60.5/49.6
R531	7030003360	S.RES ERJ3GEYJ 221 V (220)	T	5.3/19.6
R532	7030003640	S.RES ERJ3GEYJ 473 V (47K)	T	14.8/40.4
R533	7030003710	S.RES ERJ3GEYJ 184 V (180K)	T	8.8/51
C1	4030011050	S.CER GRM31M3C2H3R0CY21L (GRM42-6 Cj)	T	56.7/12.5

[RF UNIT]

REF NO.	PARTS NO.	DESCRIPTION	M.	H/V LOCATION
C2	4030007150	S.CER C1608 CH 1H 151J-T	T	60.8/12.1
C3	4030006870	S.CER C1608 JB 1H 222K-T	T	72.9/7.4
C4	4030011340	S.CER C1608 CH 1H 471J-T	T	66.1/9.8
C5	4030011340	S.CER C1608 CH 1H 471J-T	T	72.9/9.8
C6	4030006870	S.CER C1608 JB 1H 222K-T	T	66.1/7.4
C7	4030006880	S.CER C1608 JB 1H 472K-T	T	50.4/15.6
C8	4030006880	S.CER C1608 JB 1H 472K-T	T	53.1/17.9
C9	4030011790	S.CER GRM55RF52A684ZD01L (GRM44-1)	T	79.6/3.3
C12	4030011600	S.CER C1608 JB 1E 104K-T	T	58.1/17.4
C13	4030011600	S.CER C1608 JB 1E 104K-T	T	58.1/15.5
C14	4030011600	S.CER C1608 JB 1E 104K-T	T	9.9/19.3
C142	4030011600	S.CER C1608 JB 1E 104K-T	T	10.6/31.8
C143	4510009250	S.ELE EEEFK1C471P	T	17.9/5.8
C161	4030007070	S.CER C1608 CH 1H 330J-T	T	51.6/24.8
C162	4030007110	S.CER C1608 CH 1H 680J-T	T	48.6/25.5
C163	4030007120	S.CER C1608 CH 1H 820J-T	T	47.7/21
C164	4030006880	S.CER C1608 JB 1H 472K-T	T	59.7/44.5
C165	4030006880	S.CER C1608 JB 1H 472K-T	T	61.1/50.8
C166	4030006880	S.CER C1608 JB 1H 472K-T	T	60/40.2
C168	4030011600	S.CER C1608 JB 1E 104K-T	T	49.4/27.5
C169	4030011600	S.CER C1608 JB 1E 104K-T	T	61/31.4
C170	4030011600	S.CER C1608 JB 1E 104K-T	T	58.8/33
C171	4030011600	S.CER C1608 JB 1E 104K-T	T	50.6/31.7
C173	4030011600	S.CER C1608 JB 1E 104K-T	T	54.8/35.7
C174	4030009990	S.CER C1608 CH 1H 200J-T	T	47/18.9
C175	4030007090	S.CER C1608 CH 1H 470J-T	T	47.8/17
C176	4030011600	S.CER C1608 JB 1E 104K-T	T	57.6/26.5
C181	4030011600	S.CER C1608 JB 1E 104K-T	T	60.7/61.6
C182	4030011600	S.CER C1608 JB 1E 104K-T	T	57.8/58.3
C183	4030011600	S.CER C1608 JB 1E 104K-T	T	55.3/58.4
C184	4030007130	S.CER C1608 CH 1H 101J-T	T	58.6/54.6
C186	4030007130	S.CER C1608 CH 1H 101J-T	T	55.6/51.5
C187	4030007130	S.CER C1608 CH 1H 101J-T	T	56.7/64.7
C195	4030011600	S.CER C1608 JB 1E 104K-T	T	58.5/51.5
C201	4030011600	S.CER C1608 JB 1E 104K-T	T	54.6/45.7
C202	4030011600	S.CER C1608 JB 1E 104K-T	T	50.4/44.5
C203	4030008920	S.CER C1608 JB 1H 473K-T	T	49.3/45.7
C204	4030009980	S.CER C1608 JB 1H 152K-T	T	47.8/44.5
C205	4030006880	S.CER C1608 JB 1H 472K-T	T	45.3/46.4
C206	4030008470	S.CER C1608 JB 1H 272K-T	T	45.2/44.5
C207	4030011600	S.CER C1608 JB 1E 104K-T	T	48.5/41.9
C208	4030006880	S.CER C1608 JB 1H 472K-T	T	46.5/46.4
C221	4030008680	S.CER C2012 JF 1C 1052-T	T	34.6/12.6
C222	4030008470	S.CER C1608 JB 1H 272K-T	T	27.3/11.9
C223	4030007170	S.CER C1608 CH 1H 221J-T	T	25.4/12.4
C224	4030006870	S.CER C1608 JB 1H 222K-T	T	25.4/11.2
C241	4030011600	S.CER C1608 JB 1E 104K-T	T	38/16.8
C242	4030009970	S.CER C1608 JB 1H 182K-T	T	32.3/18
C243	4030017870	S.CER C1608 CH 1H 681J-T	T	32.3/19.2
C244	4030017870	S.CER C1608 CH 1H 681J-T	T	30.4/18.5
C245	4030008470	S.CER C1608 JB 1H 272K-T	T	28.2/22.1
C246	4030008850	S.CER C1608 JB 1H 123K-T	T	26/17.3
C247	4030018610	S.CER C1608 CH 1H 182J-T	T	25.4/22.1
C248	4030011600	S.CER C1608 JB 1E 104K-T	T	24.8/17.7
C249	4030011330	S.CER C1608 CH 1H 391J-T	T	37.1/20.3
C261	4030011600	S.CER C1608 JB 1E 104K-T	T	34.6/24.1
C262	4030010020	S.CER C1608 JB 1H 122K-T	T	27.4/24.4
C263	4030007100	S.CER C1608 CH 1H 560J-T	T	25.5/24.9
C264	4030017870	S.CER C1608 CH 1H 681J-T	T	25.5/23.7
C265	4030017800	S.CER C1608 CH 1H 561J-T	T	28.9/24.4
C266	4030007150	S.CER C1608 CH 1H 151J-T	T	28.9/27
C281	4030011600	S.CER C1608 JB 1E 104K-T	T	42.2/30.2
C282	4030011340	S.CER C1608 CH 1H 471J-T	T	35.8/30.3
C283	4030007110	S.CER C1608 CH 1H 680J-T	T	34.6/33
C284	4030011280	S.CER C1608 CH 1H 271J-T	T	34.6/30.3
C285	4030010020	S.CER C1608 JB 1H 122K-T	T	30.2/33.1
C286	4030008770	S.CER C1608 JB 1H 562K-T	T	28.3/32.6
C287	4030017870	S.CER C1608 CH 1H 681J-T	T	28.3/33.8
C288	4030011600	S.CER C1608 JB 1E 104K-T	T	25.6/29.5
C301	4030011600	S.CER C1608 JB 1E 104K-T	T	42.2/36.3
C302	4030010760	S.CER C1608 CH 1H 331J-T	T	35.8/36.4
C303	4030007100	S.CER C1608 CH 1H 560J-T	T	34.6/39.1
C304	4030007160	S.CER C1608 CH 1H 181J-T	T	34.6/36.4
C305	4030018580	S.CER C1608 CH 1H 821J-T	T	30.2/39.2
C306	4030008470	S.CER C1608 JB 1H 272K-T	T	28.3/38.7
C307	4030010760	S.CER C1608 CH 1H 331J-T	T	28.3/39.9
C308	4030011600	S.CER C1608 JB 1E 104K-T	T	25.6/35.6
C321	4030006880	S.CER C1608 JB 1H 472K-T	T	42.2/42.4

## [RF UNIT]

REF NO.	PARTS NO.	DESCRIPTION	M.	H/V LOCATION
C381	4030007110	S.CER C1608 CH 1H 680J-T	T	46.6/65.7
C382	4030007160	S.CER C1608 CH 1H 181J-T	T	43.9/65.7
C383	4030011600	S.CER C1608 JB 1E 104K-T	T	31.5/76.5
C384	4030011600	S.CER C1608 JB 1E 104K-T	T	50.5/71.9
C385	4030011600	S.CER C1608 JB 1E 104K-T	T	46/71.9
C386	4030011600	S.CER C1608 JB 1E 104K-T	T	48.9/71.9
C387	4030011600	S.CER C1608 JB 1E 104K-T	T	30.4/70.4
C388	4030011600	S.CER C1608 JB 1E 104K-T	T	31.1/68
C401	4030007110	S.CER C1608 CH 1H 680J-T	T	47.3/63.6
C402	4030007080	S.CER C1608 CH 1H 390J-T	T	39.7/63.8
C403	4030007150	S.CER C1608 CH 1H 151J-T	T	50/60.8
C404	4030018580	S.CER C1608 CH 1H 821J-T	T	42.8/59.4
C405	4030007120	S.CER C1608 CH 1H 820J-T	T	34.8/61
C406	4030007030	S.CER C1608 CH 1H 150J-T	T	34.8/64.4
C407	4030007150	S.CER C1608 CH 1H 151J-T	T	32.9/61
C408	4030007080	S.CER C1608 CH 1H 390J-T	T	32.1/62.9
C409	4030007140	S.CER C1608 CH 1H 121J-T	T	31.3/61
C410	4030008560	S.CER C1608 CH 1H 300J-T	T	29.3/64.4
C411	4030007120	S.CER C1608 CH 1H 820J-T	T	29.3/61.6
C412	4030007090	S.CER C1608 CH 1H 470J-T	T	41.6/64.1
C413	4030007030	S.CER C1608 CH 1H 150J-T	T	51.2/60.8
C414	4030009520	S.CER C1608 CH 1H 020B-T	T	45.9/63.6
C441	4030011600	S.CER C1608 JB 1E 104K-T	T	24.7/67.3
C442	4030011600	S.CER C1608 JB 1E 104K-T	T	14.8/57.6
C443	4030018910	S.CER C1608 JB 0J 475K-T	T	14.8/58.8
C444	4030011600	S.CER C1608 JB 1E 104K-T	T	14.8/73.9
C445	4030011600	S.CER C1608 JB 1E 104K-T	T	12.6/60.5
C446	4030011600	S.CER C1608 JB 1E 104K-T	T	10/67.4
C447	4030006880	S.CER C1608 JB 1H 472K-T	T	16.6/70.5
C448	4030011600	S.CER C1608 JB 1E 104K-T	T	8.1/60.5
C450	4030011600	S.CER C1608 JB 1E 104K-T	T	5/76.7
C451	4030011600	S.CER C1608 JB 1E 104K-T	T	14.1/68.7
C452	4030011600	S.CER C1608 JB 1E 104K-T	T	15.4/70.5
C453	4030011600	S.CER C1608 JB 1E 104K-T	T	8.5/58.5
C454	4510009250	S.ELE EEEFK1C471P	T	14.9/84.8
C455	4030007110	S.CER C1608 CH 1H 680J-T	T	11.4/77
C456	4030007090	S.CER C1608 CH 1H 470J-T	T	20/72.6
C457	4030007090	S.CER C1608 CH 1H 470J-T	T	16.4/61.2
C460	4030006900	S.CER C1608 JB 1H 103K-T	T	10.9/38.1
C461	4030011600	S.CER C1608 JB 1E 104K-T	T	7.7/34.9
C462	4030006880	S.CER C1608 JB 1H 472K-T	T	7.8/40.8
C464	4030017480	S.CER C1608 JB 1A 474K-T	T	3.2/30
C468	4030011600	S.CER C1608 JB 1E 104K-T	T	3.3/16.9
C470	4030018970	S.CER C3225 JB 1C 226MT-N	T	2.9/45.8
C471	4030018970	S.CER C3225 JB 1C 226MT-N	T	5.9/45
C480	4030017490	S.CER C1608 JB 1A 105K-T	T	2.1/26.4
C481	4030011600	S.CER C1608 JB 1E 104K-T	T	4.3/22.9
C482	4030017490	S.CER C1608 JB 1A 105K-T	T	2.1/27.6
C483	4030017490	S.CER C1608 JB 1A 105K-T	T	2.1/25.2
C504	4030006880	S.CER C1608 JB 1H 472K-T	T	30.2/85.1
C506	4030006880	S.CER C1608 JB 1H 472K-T	T	76.1/93.6
C507	4030006880	S.CER C1608 JB 1H 472K-T	T	63.5/84.1
C508	4030006880	S.CER C1608 JB 1H 472K-T	T	66.1/77.3
C509	4030006880	S.CER C1608 JB 1H 472K-T	T	63.5/78.8
C510	4030006880	S.CER C1608 JB 1H 472K-T	T	61.7/72.9
C511	4030006880	S.CER C1608 JB 1H 472K-T	T	62.5/71
C512	4030006880	S.CER C1608 JB 1H 472K-T	T	60.5/66
C513	4030006880	S.CER C1608 JB 1H 472K-T	T	72.7/94.9
C514	4030006880	S.CER C1608 JB 1H 472K-T	T	68.8/94.6
C515	4030006880	S.CER C1608 JB 1H 472K-T	T	66.7/86.7
C516	4030006880	S.CER C1608 JB 1H 472K-T	T	60.8/84.1
C517	4030006880	S.CER C1608 JB 1H 472K-T	T	63.5/81.4
C518	4030006880	S.CER C1608 JB 1H 472K-T	T	68.1/43.4
C520	4030006880	S.CER C1608 JB 1H 472K-T	T	67.1/51.9
C521	4030006880	S.CER C1608 JB 1H 472K-T	T	72.2/53.5
C523	4030011600	S.CER C1608 JB 1E 104K-T	T	11.9/50
C524	4030006860	S.CER C1608 JB 1H 102K-T	T	30.6/94.9
C525	4030006860	S.CER C1608 JB 1H 102K-T	T	27.6/95
C526	4030006860	S.CER C1608 JB 1H 102K-T	T	25.1/95
C527	4030006860	S.CER C1608 JB 1H 102K-T	T	20.1/95
C528	4030006880	S.CER C1608 JB 1H 472K-T	T	66.5/94.9
C529	4030006880	S.CER C1608 JB 1H 472K-T	T	62.7/88.7
C530	4030006880	S.CER C1608 JB 1H 472K-T	T	61.5/88.7
C531	4030006880	S.CER C1608 JB 1H 472K-T	T	34.1/94.9
C532	4030006880	S.CER C1608 JB 1H 472K-T	T	32.9/94.9
C533	4030007090	S.CER C1608 CH 1H 470J-T	T	37.4/85.8
C534	4030007090	S.CER C1608 CH 1H 470J-T	T	39.8/85.8
C535	4030007090	S.CER C1608 CH 1H 470J-T	T	42.2/85.8
C536	4030007090	S.CER C1608 CH 1H 470J-T	T	45.3/85.8
C537	4030006880	S.CER C1608 JB 1H 472K-T	T	33.8/85.8
C538	4030006880	S.CER C1608 JB 1H 472K-T	T	50.7/88.7
C539	4030006880	S.CER C1608 JB 1H 472K-T	T	51.9/88.7
C542	4030006880	S.CER C1608 JB 1H 472K-T	T	53.1/88.7
C543	4030006880	S.CER C1608 JB 1H 472K-T	T	46.5/85.8
C544	4030006880	S.CER C1608 JB 1H 472K-T	T	47.7/85.8
C545	4030006880	S.CER C1608 JB 1H 472K-T	T	48.9/85.8
C546	4030011600	S.CER C1608 JB 1E 104K-T	T	50.1/85.8
C547	4030006880	S.CER C1608 JB 1H 472K-T	T	57.9/88.7
C548	4030006880	S.CER C1608 JB 1H 472K-T	T	56.7/88.7
C549	4030006880	S.CER C1608 JB 1H 472K-T	T	35/85.8
C551	4030006880	S.CER C1608 JB 1H 472K-T	T	59.1/88.7
C552	4030006880	S.CER C1608 JB 1H 472K-T	T	72.7/93.7
C553	4030006880	S.CER C1608 JB 1H 472K-T	T	60.3/88.7
C554	4030011600	S.CER C1608 JB 1E 104K-T	T	65.5/43.4
C555	4030011600	S.CER C1608 JB 1E 104K-T	T	53.8/29.7
C556	4030006880	S.CER C1608 JB 1H 472K-T	T	38.4/89
C557	4030006880	S.CER C1608 JB 1H 472K-T	T	38.4/90.2
C558	4030006880	S.CER C1608 JB 1H 472K-T	T	36.2/94.2
C559	4030006880	S.CER C1608 JB 1H 472K-T	T	36.2/95.4
C560	4030006880	S.CER C1608 JB 1H 472K-T	T	32.6/85.8
C561	4030006880	S.CER C1608 JB 1H 472K-T	T	49.5/88.7
RL1	6330001721	REL ATN207-K1		

## [RF UNIT]

REF NO.	PARTS NO.	DESCRIPTION	M.	H/V LOCATION
RL501	6330001721	REL ATN207-K1		
J5	6510024151	S.CON 50FY-BMT-TB(LF)(SN)	T	22.2/90.9
J6	6510024151	S.CON 50FY-BMT-TB(LF)(SN)	T	51.7/93.1
J7	6510007020	CON TMP-J01X-V6		
J8	6510007020	CON TMP-J01X-V6		
J10	6510007020	CON TMP-J01X-V6		
J501	6450001641	CON TCS5044-0141177		
J502	6450001130	CON JPJ2042-01-110		
J503	6510023900	CON LGR4619-7000 0		
EP170	6910012350	S.BEA MMZ1608Y 102BT	T	60.9/25.7
EP501	6910012350	S.BEA MMZ1608Y 102BT	T	70.3/48
EP502	6910018930	S.BEA MPZ2012S601A	T	65.8/84
EP503	6910018930	S.BEA MPZ2012S601A	T	65.8/79.6
EP504	6910018930	S.BEA MPZ2012S601A	T	65.8/73.2
EP505	6910018930	S.BEA MPZ2012S601A	T	73.8/29.7
EP507	6910018930	S.BEA MPZ2012S601A	T	28.1/87.4
EP509	6910018930	S.BEA MPZ2012S601A	T	23.9/85.8
EP510	6910018930	S.BEA MPZ2012S601A	T	21.6/85.8
EP511	6910012350	S.BEA MMZ1608Y 102BT	T	67.1/53.2
EP512	6910012350	S.BEA MMZ1608Y 102BT	T	72.2/54.8

## [PA UNIT]

REF NO.	PARTS NO.	DESCRIPTION	M.	H/V LOCATION
IC1	1180001251	S.IC TA7808F(TE16L,Q)	T	17.3/40.6
IC2	1110003800	S.IC NJM2904V-TE1-#FMZB	T	6.5/23
Q1	1560001241	S.FET RD01MUS1-T113	T	26.7/30.7
Q2	1560001530	FET RD15HVF1-101		
Q3	1560001530	FET RD15HVF1-101		
Q4	1560001640	FET RD100HHF1C-103		
Q5	1560001640	FET RD100HHF1C-103		
Q7	1590000680	S.TRA DTC114EUA T106	T	20/58.5
Q131	1540000550	S.TRA 2SD1664 T100Q	T	144.6/84.4
D4	1790000700	DIO DSA3A1		
D5	1790000700	DIO DSA3A1		
D6	1790001250	S.DIO MA2S111-(TX)	T	11.6/56.1
D8	1790001250	S.DIO MA2S111-(TX)	T	84.8/12.9
D9	1790001250	S.DIO MA2S111-(TX)	T	84.8/54.1
D10	1790001250	S.DIO MA2S111-(TX)	T	38.3/9.6
D11	1790001250	S.DIO MA2S111-(TX)	T	39.1/39
D17	1790001250	S.DIO MA2S111-(TX)	T	89.2/56.7
D18	1790001250	S.DIO MA2S111-(TX)	T	89.2/10.3
L1	6140002350	COI LR-274 (RIB4X7X5 3A6)		
L2	6140004690	COI LR-530 <KN>		
L3	6140004700	COI LR-529		
L4	6140003590	COI LR-400 (TR10X5X5 6H3)		
L5	6140004570	COI LR-507		
L7	6140002220	COI LR-270 (TR6X3X2 3A9)		
L24	6200003241	S.COI NLV32T-221J	T	21.4/16.8
L25	6200003241	S.COI NLV32T-221J	T	18.4/13.8
L29	6140003440	COI LR-386 (FK-100E-5003H) [EUR]		
	6140003440	COI LR-386 (FK-100E-5003H) [FRA]		
	6140003440	COI LR-386 (FK-100E-5003H) [ITR]		
	6140003440	COI LR-386 (FK-100E-5003H) [ESP]		
	6140003440	COI LR-386 (FK-100E-5003H)[EUR-01]		
L38	6140003440	COI LR-386 (FK-100E-5003H) [EUR]		
	6140003440	COI LR-386 (FK-100E-5003H) [FRA]		
	6140003440	COI LR-386 (FK-100E-5003H) [ITR]		
	6140003440	COI LR-386 (FK-100E-5003H) [ESP]		
	6140003440	COI LR-386 (FK-100E-5003H)[EUR-01]		
L131	6200002041	S.COI NLV25T-101J	T	36/80.2
R1	7030003310	S.RES ERJ3GEYJ 820 V (82)	T	23.5/31.1
R2	7030003510	S.RES ERJ3GEYJ 392 V (3.9K)	T	22.3/31.1
R3	7030003410	S.RES ERJ3GEYJ 561 V (560)	T	26.8/26
R4	7030006210	S.RES ERJ12YJ4R7U (4.7)	T	31/34.1
R5	7030008180	S.RES ERJ12YJ331U (330)	T	29.5/24.1
R6	7030003450	S.RES ERJ3GEYJ 122 V (1.2K)	T	23.5/33.8
R7	7030000220	S.RES MCR10EZJH 47 (470)	T	40.3/41
R8	7030000220	S.RES MCR10EZJH 47 (470)	T	40.2/8.2
R9	7030010480	S.RES ERJ1TYJ 181U (180)	T	49.4/34.7
R10	7030010480	S.RES ERJ1TYJ 181U (180)	T	49.4/6.6
R11	7030003230	S.RES ERJ3GEYJ 180 V (18)	T	15.5/25.8
R12	7030003370	S.RES ERJ3GEYJ 271 V (270)	T	16.2/27.8
R13	7030003370	S.RES ERJ3GEYJ 271 V (270)	T	16.8/25.8
R15	7030010410	S.RES ERJ1TYJ 220U (22)	T	107.4/38.5
R16	7030010410	S.RES ERJ1TYJ 220U (22)	T	107.4/28.5
R17	7030003510	S.RES ERJ3GEYJ 392 V (3.9K)	T	90/54.8
R18	7030003510	S.RES ERJ3GEYJ 392 V (3.9K)	T	90/12.2
R20	7030000010	S.RES MCR10EZJH JPW (000)	T	21.5/26
R22	7030010950	S.RES ERJ1TYJ 100U (10)	T	74.2/18
R25	7030005971	S.RES ERA3YKD 683V (68K)	T	143.1/80.4
R26	7030005981	S.RES ERA3YED 333V (33K)	T	138.6/80.4
R27	7030005981	S.RES ERA3YED 333V (33K)	T	136.9/80.4
R29	7030007661	S.RES ERA3YED 331V (330)	T	140.5/81.1
R31	7030003450	S.RES ERJ3GEYJ 122 V (1.2K)	T	92.4/7.7
R32	7030010570	S.RES ERJ1TYJ 4R7U (4.7)	T	165.7/61.7
R33	7030010570	S.RES ERJ1TYJ 4R		

[PA UNIT]

REF NO.	PARTS NO.	DESCRIPTION	M.	H/V LOCATION
R37	7030010410	S.RES ERJ1TYJ 220U (22)	T	87.7/50.7
R38	7030010410	S.RES ERJ1TYJ 220U (22)	T	87.7/16.3
R39	7030011240	S.RES LRF3W-LF-01-R020F	T	137.8/75.5
R40	7030011240	S.RES LRF3W-LF-01-R020F	T	137.8/68.5
R41	7030003320	S.RES ERJ3GEYJ 101 V (100)	T	18.4/64.4
R42	7030003320	S.RES ERJ3GEYJ 101 V (100)	T	18.4/68.1
R43	7030003320	S.RES ERJ3GEYJ 101 V (100)	T	17.4/71.7
R44	7030003400	S.RES ERJ3GEYJ 471 V (470)	T	9.6/25.2
R45	7030003400	S.RES ERJ3GEYJ 471 V (470)	T	8.2/17.8
R46	7030003480	S.RES ERJ3GEYJ 222 V (2.2K)	T	41.3/43
R47	7030003480	S.RES ERJ3GEYJ 222 V (2.2K)	T	41.2/6.1
R49	7030011130	S.RES ERJ1TYJ 1R0U (1)	T	99.8/13.4
R50	7510001551	S.THE NTCG16 4LH 333JT	T	105.1/6.2
R51	7030003440	S.RES ERJ3GEYJ 102 V (1K)	T	33.6/32.7
R52	7030004040	S.RES ERJ3GEYJ 4R7 V (4.7)	T	24.1/59.3
R55	7030005971	S.RES ERA3YKD 683V (68K)	T	136.9/85.7
R60	7030011130	S.RES ERJ1TYJ 1R0U (1)	T	99.8/53.5
R71	7030003650	S.RES ERJ3GEYJ 563 V (56K)	T	6/28.2
R72	7030003680	S.RES ERJ3GEYJ 104 V (100K)	T	4.8/28.2
R73	7030003650	S.RES ERJ3GEYJ 563 V (56K)	T	8.4/26.7
R74	7030003680	S.RES ERJ3GEYJ 104 V (100K)	T	7.2/28.2
R75	7030003680	S.RES ERJ3GEYJ 104 V (100K)	T	3.4/19.3
R76	7030003650	S.RES ERJ3GEYJ 563 V (56K)	T	7/17.8
R77	7030003680	S.RES ERJ3GEYJ 104 V (100K)	T	5.8/17.7
R78	7030003650	S.RES ERJ3GEYJ 563 V (56K)	T	4.6/19.3
R79	7030003320	S.RES ERJ3GEYJ 101 V (100)	T	10.4/20.8
R81	7030008240	S.RES ERJ12Y0R00U	T	40.2/32.4
R82	7030008240	S.RES ERJ12Y0R00U	T	40.2/16.8
R106	7030010250	S.RES ERJ1TYJ 0R00U	T	92.5/39.8
R107	7030010250	S.RES ERJ1TYJ 0R00U	T	92.5/27.2
R120	7030010250	S.RES ERJ1TYJ 0R00U	T	149.9/59.8
R131	7030003400	S.RES ERJ3GEYJ 471 V (470)	T	141.3/85.2
R132	7030003860	S.RES ERJ3GE JPW V	T	148.3/84.3
C1	4030017320	S.CER GRM21BB11H104KA01L (GRM40-034)	T	23.3/28
C2	4030008960	S.CER C2012 JB 1C 104K-T	T	25.2/26.4
C3	4030004720	S.CER C2012 JB 1H 102K-T	T	25.9/37.6
C4	4030005110	S.CER C2012 JB 1E 473K-T	T	28.5/19.5
C5	4030012490	S.CER GRM31M1X2A472JZ01L (GRM42-6 SL)	T	43.9/37.1
C6	4030012490	S.CER GRM31M1X2A472JZ01L (GRM42-6 SL)	T	43.9/9
C8	4030005110	S.CER C2012 JB 1E 473K-T	T	30.1/28.7
C12	4030007130	S.CER C1608 CH 1H 101J-T	T	14.3/25.8
C17	4030008920	S.CER C1608 JB 1H 473K-T	T	22.3/33.8
C19	4030008920	S.CER C1608 JB 1H 473K-T	T	23.5/36.4
C21	4030005110	S.CER C2012 JB 1E 473K-T	T	72.6/12.3
C22	4030006860	S.CER C1608 JB 1H 102K-T	T	74.2/12.7
C27	4510009250	S.ELE EEEFK1C471P	T	180.9/73.1
C28	4030006880	S.CER C1608 JB 1H 472K-T	T	150.9/72
C29	4030011600	S.CER C1608 JB 1E 104K-T	T	161.5/72
C30	4030007170	S.CER C1608 CH 1H 221J-T	T	165.3/72
C31	4030005110	S.CER C2012 JB 1E 473K-T	T	125.3/80.5
C32	4510009250	S.ELE EEEFK1C471P	T	130.6/81.6
C33	4030006880	S.CER C1608 JB 1H 472K-T	T	119.6/70.3
C34	4030007170	S.CER C1608 CH 1H 221J-T	T	117.3/70.3
C35	4030018980	S.CER C1608 JB 1H 104K-T	T	115/70.3
C42	4510009250	S.ELE EEEFK1C471P	T	145.8/73.1
C43	4030006880	S.CER C1608 JB 1H 472K-T	T	94.8/6.2
C44	4030006880	S.CER C1608 JB 1H 472K-T	T	90/7.7
C46	4030006880	S.CER C1608 JB 1H 472K-T	T	23.1/76.3
C47	4030006880	S.CER C1608 JB 1H 472K-T	T	135.7/83
C52	4030008920	S.CER C1608 JB 1H 473K-T	T	96/6.2
C53	4030008920	S.CER C1608 JB 1H 473K-T	T	18.6/56
C54	4030008920	S.CER C1608 JB 1H 473K-T	T	91.2/7.7
C55	4030006880	S.CER C1608 JB 1H 472K-T	T	18.4/17.6
C56	4030006860	S.CER C1608 JB 1H 102K-T	T	15.5/14.2
C57	4030006880	S.CER C1608 JB 1H 472K-T	T	19.2/8.6
C59	4510009250	S.ELE EEEFK1C471P [EUR]	T	79.6/72.6
	4510009250	S.ELE EEEFK1C471P [FRA]	T	
	4510009250	S.ELE EEEFK1C471P [ITR]	T	
	4510009250	S.ELE EEEFK1C471P [ESP]	T	
	4510009250	S.ELE EEEFK1C471P [EUR-01]	T	
C60	4030004740	S.CER C2012 JB 1H 472K-T [EUR]	T	74.3/75.1
	4030004740	S.CER C2012 JB 1H 472K-T [FRA]	T	
	4030004740	S.CER C2012 JB 1H 472K-T [ITR]	T	
	4030004740	S.CER C2012 JB 1H 472K-T [ESP]	T	
	4030004740	S.CER C2012 JB 1H 472K-T [EUR-01]	T	
C61	4030004740	S.CER C2012 JB 1H 472K-T [EUR]	T	74.3/68.8
	4030004740	S.CER C2012 JB 1H 472K-T [FRA]	T	
	4030004740	S.CER C2012 JB 1H 472K-T [ITR]	T	
	4030004740	S.CER C2012 JB 1H 472K-T [ESP]	T	
	4030004740	S.CER C2012 JB 1H 472K-T [EUR-01]	T	
C62	4030018980	S.CER C1608 JB 1H 104K-T [EUR]	T	34.9/69.4
	4030018980	S.CER C1608 JB 1H 104K-T [FRA]	T	
	4030018980	S.CER C1608 JB 1H 104K-T [ITR]	T	
	4030018980	S.CER C1608 JB 1H 104K-T [ESP]	T	
	4030018980	S.CER C1608 JB 1H 104K-T [EUR-01]	T	
C63	4560000170	CER D67X5T 1E 684M51 (MARUWA) [EUR]	T	
	4560000170	CER D67X5T 1E 684M51 (MARUWA) [FRA]	T	
	4560000170	CER D67X5T 1E 684M51 (MARUWA) [ITR]	T	
	4560000170	CER D67X5T 1E 684M51 (MARUWA) [ESP]	T	
	4560000170	CER D67X5T 1E 684M51 (MARUWA) [EUR-01]	T	
C66	4030018750	S.CER C3225 CH 2J 682K-T	T	95.6/43.8
C67	4030018750	S.CER C3225 CH 2J 682K-T	T	95.6/23.2
C71	4030011550	S.CER GRM31M2C2H680JV01L (GRM42-6 CH)	T	59.5/33.5

[PA UNIT]

REF NO.	PARTS NO.	DESCRIPTION	M.	H/V LOCATION
C72	4030014460	S.CER GRM31M2C2H820JV01L (GRM42-6 CH)	T	57.4/33.5
C73	4030018750	S.CER C3225 CH 2J 682K-T	T	103/17.9
C74	4030018750	S.CER C3225 CH 2J 682K-T	T	103/49
C77	4030006880	S.CER C1608 JB 1H 472K-T	T	21.9/76.3
C78	4030006860	S.CER C1608 JB 1H 102K-T	T	16.2/75.8
C79	4030006880	S.CER C1608 JB 1H 472K-T	T	9.8/85.7
C80	4030006880	S.CER C1608 JB 1H 472K-T	T	8.6/83.1
C81	4030018530	S.CER C3216 CH 1H 103J-T	T	41/37.8
C82	4030018530	S.CER C3216 CH 1H 103J-T	T	41/11.4
C83	4030008920	S.CER C1608 JB 1H 473K-T	T	37.5/7.8
C84	4030008920	S.CER C1608 JB 1H 473K-T	T	38.3/37.1
C85	4030008920	S.CER C1608 JB 1H 473K-T	T	83.3/11.9
C86	4030008920	S.CER C1608 JB 1H 473K-T	T	83.2/55.1
C87	4030011600	S.CER C1608 JB 1E 104K-T	T	22/58.6
C88	4030011600	S.CER C1608 JB 1E 104K-T	T	17.2/64.4
C89	4030011600	S.CER C1608 JB 1E 104K-T	T	17.2/68.1
C90	4030011600	S.CER C1608 JB 1E 104K-T	T	16.2/71.8
C91	4030011600	S.CER C1608 JB 1E 104K-T	T	19.8/75.8
C92	4030011600	S.CER C1608 JB 1E 104K-T	T	17.4/75.8
C93	4030011600	S.CER C1608 JB 1E 104K-T	T	29.1/79.2
C94	4030011600	S.CER C1608 JB 1E 104K-T	T	16.9/20.8
C97	4030006880	S.CER C1608 JB 1H 472K-T	T	18.6/75.8
C100	4030011600	S.CER C1608 JB 1E 104K-T	T	82.1/11.9
C101	4030011600	S.CER C1608 JB 1E 104K-T	T	81.9/55.1
C102	4030018960	S.CER C3216 JB 1C 106MT-N	T	8.2/42.9
C103	4030018960	S.CER C3216 JB 1C 106MT-N	T	8.2/38
C104	4030011600	S.CER C1608 JB 1E 104K-T	T	10/42.6
C105	4030011600	S.CER C1608 JB 1E 104K-T	T	10/38.3
C106	4030011730	S.CER GRM31M2C2H101JV01L (GRM42-6 CH)	T	85/42.6
C107	4030011730	S.CER GRM31M2C2H101JV01L (GRM42-6 CH)	T	85/24.4
C111	4030011550	S.CER GRM31M2C2H680JV01L (GRM42-6 CH)	T	
C112	4030011550	S.CER GRM31M2C2H680JV01L (GRM42-6 CH)	T	
C113	4030011740	S.CER GRM32N2C2H201JV01L (GRM42-2 CH)	T	144.1/33.5
C114	4030011740	S.CER GRM32N2C2H201JV01L (GRM42-2 CH)	T	140.9/33.5
C115	4030011740	S.CER GRM32N2C2H201JV01L (GRM42-2 CH)	T	137.7/33.5
C116	4030011740	S.CER GRM32N2C2H201JV01L (GRM42-2 CH)	T	134.5/33.5
C121	4030011600	S.CER C1608 JB 1E 104K-T	T	9.2/20.8
C122	4510009250	S.ELE EEEFK1C471P	T	155.9/73.1
C123	4510009250	S.ELE EEEFK1C471P	T	171.7/73.1
C124	4510009250	S.ELE EEEFK1C471P	T	120/81.6
C125	4030011600	S.CER C1608 JB 1E 104K-T	T	24.3/76.3
C130	4030011600	S.CER C1608 JB 1E 104K-T	T	22/56
C131	4030006880	S.CER C1608 JB 1H 472K-T	T	36.3/78.3
C132	4030011600	S.CER C1608 JB 1E 104K-T	T	146.2/80.8
C133	4030018960	S.CER C3216 JB 1C 106MT-N	T	147.9/80.1
C134	4030006880	S.CER C1608 JB 1H 472K-T	T	140.1/85.2
RL1	6330001600	REL ALD 112		
J4	6510024151	S.CON 50FY-BMT-TB(LF)(SN)	T	25.2/83.9
J8	6510007020	CON TMP-J01X-V6		
J9	6510007020	CON TMP-J01X-V6		
J131	6510014961	S.CON B2B-ZR-SM4-TF(LF)(SN)	T	151.1/82.7
J132	6510014961	S.CON B2B-ZR-SM4-TF(LF)(SN)	T	157.2/82.7
F1	5220000400	HOL FHA010-01F		
F2	5210000940	FUS 1205		
W40	8900018210	CAB OPC-1942 [USA]		
	8900018220	CAB OPC-1943 [EUR]		
	8900018220	CAB OPC-1943 [FRA]		
	8900018220	CAB OPC-1943 [ITR]		
	8900018220	CAB OPC-1943 [ESP]		
	8900018220	CAB OPC-1943 [EUR-01]		
	8900017860	CAB OPC-1857 [KOR]		
	8900017860	CAB OPC-1857 [CHN]		
	8900017860	CAB OPC-1857 [EXP]		
EP1	6910019200	S.BEA N2012ZPS121T50	T	71.4/19.4
EP2	6910019200	S.BEA N2012ZPS121T50	T	71.4/16.1
EP6	6910012350	S.BEA MMZ1608Y 102BT	T	19/21.6
EP8	6910019200	S.BEA N2012ZPS121T50	T	70.8/12.3
EP11	6910012350	S.BEA MMZ1608Y 102BT	T	24.3/80
EP12	6910019200	S.BEA N2012ZPS121T50	T	26.3/79.4
EP21	6910012350	S.BEA MMZ1608Y 102BT	T	9.8/83.1
EP26	6910018930	S.BEA MPZ2012S601A	T	22/8.8
EP27	6910018930	S.BEA MPZ2012S601A	T	28.5/7.5

M.=Mounted side (T: Mounted on the Top side, B: Mounted on the Bottom side)  
S.=Surface mount

[FILTER BOARD]

REF NO.	PARTS NO.	DESCRIPTION	M.	H/V LOCATION
Q149	1590001960	S.TRA XP4311(TX)	T	87.6/70.7
Q150	1590001960	S.TRA XP4311(TX)	T	78.2/83.6
Q151	1590001960	S.TRA XP4311(TX)	T	83.3/83.7
Q152	1590001960	S.TRA XP4311(TX)	T	85.8/34.9
Q153	1590001960	S.TRA XP4311(TX)	T	85.8/23.7
Q154	1590001960	S.TRA XP4311(TX)	T	85.8/59.4
Q158	1590001960	S.TRA XP4311(TX)	T	86/48.8
D21	1790001250	S.DIO MA2S111-(TX)	T	86.1/52
D41	1790001250	S.DIO MA2S111-(TX)	T	86.1/16
D61	1790001250	S.DIO MA2S111-(TX)	T	86.1/26.5
D81	1790001250	S.DIO MA2S111-(TX)	T	86.1/77.4
D101	1790001250	S.DIO MA2S111-(TX)	T	72.3/83.6
D121	1790001250	S.DIO MA2S111-(TX)	T	86.5/61.7
D147	1790001250	S.DIO MA2S111-(TX)	T	86.1/40.1
L21	6140001990	COI LR-226 (T68-2)	T	
L22	6140002000	COI LR-227 (T68-2)	T	
L23	6200005051	S.COI NLV25T-330J	T	86.7/55
L24	6200005051	S.COI NLV25T-330J	T	10.3/63.9
L41	6140001240	COI LR-149 (T68-2)	T	
L42	6140001130	COI LR-138 (T68-2)	T	
L43	6200005051	S.COI NLV25T-330J	T	86.7/19
L44	6200005051	S.COI NLV25T-330J	T	2.4/17.6
L61	6140001800	COI LR-216 (T50-2)	T	
L62	6140001800	COI LR-216 (T50-2)	T	
L63	6200005051	S.COI NLV25T-330J	T	86.7/29.5
L64	6140001800	COI LR-216 (T50-2)	T	
L65	6200005051	S.COI NLV25T-330J	T	4.6/31.8
L81	6140003500	COI LR-392 (T50-10)	T	
L82	6140003500	COI LR-392 (T50-10)	T	
L83	6200005051	S.COI NLV25T-330J	T	86.7/80.4
L84	6140001810	COI LR-217 (T50-10)	T	
L85	6200005051	S.COI NLV25T-330J	T	3/79.4
L101	6110002910	COI LA-480	T	
L102	6110002920	COI LA-481	T	
L103	6200005011	S.COI NLV25T-100J	T	73.6/86.2
L104	6200005011	S.COI NLV25T-100J	T	9.1/81.2
L121	6110002900	COI LA-479	T	
L122	6110002890	COI LA-478	T	
L123	6200005011	S.COI NLV25T-100J	T	86.7/65.2
L124	6200005011	S.COI NLV25T-100J	T	11.9/68.2
L141	6110003540	COI LA-548 (LA-215A)	T	
L142	6110003570	COI LA-550	T	
L143	6110003550	COI LA-547 (LA-214A)	T	
L144	6200002861	S.COI NLV25T-4R7J	T	86.7/43.1
L145	6200002861	S.COI NLV25T-4R7J	T	4.8/49.8
R21	7030003340	S.RES ERJ3GEYJ 151 V (150)	T	85.9/57.5
R41	7030003340	S.RES ERJ3GEYJ 151 V (150)	T	85.9/21.8
R61	7030003340	S.RES ERJ3GEYJ 151 V (150)	T	85.9/33
R81	7030003340	S.RES ERJ3GEYJ 151 V (150)	T	85.8/82.8
R101	7030003340	S.RES ERJ3GEYJ 151 V (150)	T	76/83.7
R121	7030003340	S.RES ERJ3GEYJ 151 V (150)	T	86.7/68.2
R141	7030003340	S.RES ERJ3GEYJ 151 V (150)	T	84.6/46.3
C21	4030008920	S.CER C1608 JB 1H 473K-T	T	7/63.4
C22	4030008920	S.CER C1608 JB 1H 473K-T	T	87.3/52
C23	4010007510	CER HM17SJ SL 821J 500V 1	T	
C24	4320001050	S.MIC UC342H 3900J-T	T	30.1/49
C26	4010007510	CER HM17SJ SL 821J 500V 1	T	
C27	4030012480	S.CER GRM31M2C2H121JV01L (GRM42-6 CH)	T	60.6/59.1
C28	4010007510	CER HM17SJ SL 821J 500V 1	T	
C29	4010007590	CER HM15SJ SL 681J 500V 1	T	
C30	4010007510	CER HM17SJ SL 821J 500V 1	T	
C31	4010007510	CER HM17SJ SL 821J 500V 1	T	
C32	4010007590	CER HM15SJ SL 681J 500V 1	T	
C33	4030006880	S.CER C1608 JB 1H 472K-T	T	88.6/55.3
C34	4010005930	CER HM11SJ SL 391J 500V 1	T	
C35	4030012480	S.CER GRM31M2C2H121JV01L (GRM42-6 CH)	T	41.4/47.8
C36	4010007510	CER HM17SJ SL 821J 500V 1	T	
C37	4030011730	S.CER GRM31M2C2H101JV01L (GRM42-6 CH)	T	27.2/50
C38	4030011550	S.CER GRM31M2C2H680JV01L (GRM42-6 CH)	T	25.1/50
C41	4030008920	S.CER C1608 JB 1H 473K-T	T	4.6/17.3
C42	4030008920	S.CER C1608 JB 1H 473K-T	T	87.3/16
C44	4010005360	CER HM11SJ SL 301J 500V 1	T	
C45	4010005360	CER HM11SJ SL 301J 500V 1	T	
C46	4010005930	CER HM11SJ SL 391J 500V 1	T	
C47	4010005370	CER HM11SJ SL 331J 500V 1	T	
C48	4030011730	S.CER GRM31M2C2H101JV01L (GRM42-6 CH)	T	57.8/8.1
C49	4010005850	CER HM95SJ SL 181J 500V 1	T	
C50	4010005930	CER HM11SJ SL 391J 500V 1	T	
C51	4030011240	S.CER GRM31M2C2H470JV01L (GRM42-6 CH)	T	71.3/6.8
C52	4010005370	CER HM11SJ SL 331J 500V 1	T	
C53	4010005370	CER HM11SJ SL 331J 500V 1	T	
C54	4030006880	S.CER C1608 JB 1H 472K-T	T	88.6/19.3
C56	4030011180	S.CER GRM31M2C2H220JV01L (GRM42-6 CH)	T	41.2/5.3
C61	4030008920	S.CER C1608 JB 1H 473K-T	T	2.5/29.8
C62	4030008920	S.CER C1608 JB 1H 473K-T	T	87.3/26.5
C63	4010005930	CER HM11SJ SL 391J 500V 1	T	
C65	4030011730	S.CER GRM31M2C2H101JV01L (GRM42-6 CH)	T	15.8/21.1
C66	4030011550	S.CER GRM31M2C2H680JV01L (GRM42-6 CH)	T	17.9/21.1
C67	4010007490	CER HM15SJ SL 561J 500V 1	T	

[FILTER BOARD]

REF NO.	PARTS NO.	DESCRIPTION	M.	H/V LOCATION
C68	4030012480	S.CER GRM31M2C2H121JV01L (GRM42-6 CH)	T	33/23.2
C69	4030012480	S.CER GRM31M2C2H121JV01L (GRM42-6 CH)	T	35.1/20.5
C70	4010007590	CER HM15SJ SL 681J 500V 1	T	
C71	4030011730	S.CER GRM31M2C2H101JV01L (GRM42-6 CH)	T	56.1/23.9
C72	4030006880	S.CER C1608 JB 1H 472K-T	T	88.6/29.8
C74	4030011230	S.CER GRM31M2C2H390JV01L (GRM42-6 CH)	T	56.8/18.7
C76	4030011180	S.CER GRM31M2C2H220JV01L (GRM42-6 CH)	T	71/23.3
C77	4010005880	CER HM95SJ SL 271J 500V 1	T	
C81	4030008920	S.CER C1608 JB 1H 473K-T	T	3.6/76.4
C82	4030008920	S.CER C1608 JB 1H 473K-T	T	87.3/77.4
C83	4010005860	CER HM95SJ SL 201J 500V 1	T	
C84	4030011730	S.CER GRM31M2C2H101JV01L (GRM42-6 CH)	T	30.2/78.3
C85	4030014460	S.CER GRM31M2C2H820JV01L (GRM42-6 CH)	T	50.8/74.7
C86	4010005830	CER HM74SJ SL 151J 500V 1	T	
C87	4030011210	S.CER GRM31M2C2H330JV01L (GRM42-6 CH)	T	52.9/79.6
C88	4030014460	S.CER GRM31M2C2H820JV01L (GRM42-6 CH)	T	72.1/73.6
C89	4030006880	S.CER C1608 JB 1H 472K-T	T	88.6/80.7
C90	4030011080	S.CER GRM31M2C2H680JV01L (GRM42-6 CH)	T	31.9/76.1
C92	4030011230	S.CER GRM31M2C2H390JV01L (GRM42-6 CH)	T	50.8/79.6
C101	4030006880	S.CER C1608 JB 1H 472K-T	T	10.1/83.7
C102	4030006880	S.CER C1608 JB 1H 472K-T	T	73.5/83.6
C103	4030011730	S.CER GRM31M2C2H101JV01L (GRM42-6 CH)	T	26.1/91.3
C104	4030011510	S.CER GRM31M2C2H560JV01L (GRM42-6 CH)	T	31.8/91.3
C105	4030012480	S.CER GRM31M2C2H121JV01L (GRM42-6 CH)	T	50.7/88.2
C106	4030011170	S.CER GRM31M2C2H180JV01L (GRM42-6 CH)	T	50.7/93.1
C107	4030011730	S.CER GRM31M2C2H101JV01L (GRM42-6 CH)	T	64.3/87.9
C108	4030006880	S.CER C1608 JB 1H 472K-T	T	76.6/85.7
C109	4030012480	S.CER GRM31M2C2H121JV01L (GRM42-6 CH)	T	48.4/88.2
C110	4030011170	S.CER GRM31M2C2H180JV01L (GRM42-6 CH)	T	24/91.3
C111	4030011140	S.CER GRM31M2C2H120JV01L (GRM42-6 CH)	T	29.7/88.2
C121	4030006880	S.CER C1608 JB 1H 472K-T	T	11.7/65.8
C122	4030006880	S.CER C1608 JB 1H 472K-T	T	86.4/62.9
C123	4030011100	S.CER GRM31M2C2H880RV01L (GRM42-6 CH)	T	67.5/62.2
C124	4030011140	S.CER GRM31M2C2H120JV01L (GRM42-6 CH)	T	45.1/72.2
C126	4030011210	S.CER GRM31M2C2H330JV01L (GRM42-6 CH)	T	67.5/68.1
C127	4030011550	S.CER GRM31M2C2H680JV01L (GRM42-6 CH)	T	69.8/64.4
C128	4030011180	S.CER GRM31M2C2H220JV01L (GRM42-6 CH)	T	33.9/66.2
C129	4030006880	S.CER C1608 JB 1H 472K-T	T	88.6/65.5
C130	4030011510	S.CER GRM31M2C2H560JV01L (GRM42-6 CH)	T	31.8/66.2
C132	4030011730	S.CER GRM31M2C2H101JV01L (GRM42-6 CH)	T	50.2/68.7
C133	4030011730	S.CER GRM31M2C2H101JV01L (GRM42-6 CH)	T	52.3/68.7
C136	4030011110	S.CER GRM31M2C2H980RV01L (GRM42-6 CH)	T	
C142	4030011050	S.CER GRM31M3C2H380CY21L (GRM42-6 CJ)	T	
C143	4030011240	S.CER GRM31M2C2H470JV01L (GRM42-6 CH)	T	28.7/30.1
C145	4030011080	S.CER GRM31M2C2H680RV01L (GRM42-6 CH)	T	25.2/31.6
C146	4030011230	S.CER GRM31M2C2H390JV01L (GRM42-6 CH)	T	30.8/30.1
C147	4030011180	S.CER GRM31M2C2H220JV01L (GRM42-6 CH)	T	37.4/38.2
C148	4030011510	S.CER GRM31M2C2H560JV01L (GRM42-6 CH)	T	56.1/28.8
C149	4030011140	S.CER GRM31M2C2H120JV01L (GRM42-6 CH)	T	66.4/35.5
C150	4030011210	S.CER GRM31M2C2H330JV01L (GRM42-6 CH)	T	54/28.8
C151	4030011180	S.CER GRM31M2C2H220JV01L (GRM42-6 CH)	T	71.9/35.5
C152	4030011080	S.CER GRM31M2C2H680RV01L (GRM42-6 CH)	T	74/35.5
C153	4030011160	S.CER GRM31M2C2H150JV01L (GRM42-6 CH)	T	18/34.9
C154	4030011060	S.CER GRM31M2C2H480CY21L (GRM42-6 CH)	T	68.5/35.5
C156	4030006880	S.CER C1608 JB 1H 472K-T	T	87.3/40.1
C157	4030006880	S.CER C1608 JB 1H 472K-T	T	4/47.4
C158	4030006880	S.CER C1608 JB 1H 472K-T	T	86.5/45.6
C159	4030006860	S.CER C1608 JB 1H 102K-T	T	79/94.4
C160	4030006860	S.CER C1608 JB 1H 102K-T	T	82.6/94.4
C161	4030006860	S.CER C1608 JB 1H 102K-T	T	81.4/94.4
C162	4030006860	S.CER C1608 JB 1H 102K-T	T	76.6/94.4
C163	4030006860	S.CER C1608 JB 1H 102K-T	T	75.3/94.4
C164	4030006860	S.CER C1608 JB 1H 102K-T	T	77.8/94.4
C165	4030006860	S.CER C1608 JB 1H 102K-T	T	80.2/94.4

M.=Mounted side (T: Mounted on the Top side, B: Mounted on the Bottom side)  
S.=Surface mount

**[FILTER BOARD]**

REF NO.	PARTS NO.	DESCRIPTION	M.	H/V LOCATION
C166	4030006860	S.CER C1608 JB 1H 102K-T	T	86.5/86.7
C167	4030006880	S.CER C1608 JB 1H 472K-T	T	4/52.2
RL21	6330001721	REL ATN207-K1		
RL22	6330001721	REL ATN207-K1		
RL41	6330001721	REL ATN207-K1		
RL42	6330001721	REL ATN207-K1		
RL61	6330001721	REL ATN207-K1		
RL62	6330001721	REL ATN207-K1		
RL81	6330001721	REL ATN207-K1		
RL82	6330001721	REL ATN207-K1		
RL101	6330001721	REL ATN207-K1		
RL102	6330001721	REL ATN207-K1		
RL121	6330001721	REL ATN207-K1		
RL122	6330001721	REL ATN207-K1		
RL141	6330001721	REL ATN207-K1		
RL142	6330001721	REL ATN207-K1		
J9	6510007020	CON TMP-J01X-V6		
J10	6510007020	CON TMP-J01X-V6		
J11	6510019971	S.CON 52808-1071	T	80.5/89.2

**[FRONT UNIT]**

REF NO.	PARTS NO.	DESCRIPTION	M.	H/V LOCATION
SP1	2510001480	SPE 4050P0802 <FG>		
W1	8900014720	CAB OPC-909A (P1,N10,L110) <TJM>		
W2	8900014740	CAB OPC-885A (P1,N10,L39) <TJM>		
W3	8900014740	CAB OPC-885A (P1,N10,L39) <TJM>		
W4	8900018190	CAB OPC-1892A [USA]		
	8900018200	CAB OPC-1941 [EUR]		
	8900018200	CAB OPC-1941 [FRA]		
	8900018200	CAB OPC-1941 [ITR]		
	8900018200	CAB OPC-1941 [ESP]		
	8900018200	CAB OPC-1941 [EUR-01]		
	8900018190	CAB OPC-1892A [KOR]		
	8900018190	CAB OPC-1892A [CHN]		
	8900018190	CAB OPC-1892A [EXP]		
EP1	0880001360	UNI EX-2500 #02 SENSOR		
EP3	6450001230	E.O HLJ0999-01-480 2		

**[LOGIC UNIT]**

REF NO.	PARTS NO.	DESCRIPTION	M.	H/V LOCATION
IC1	1140014972	S.IC M30620FCPGP(SX-3015A-2)	B	61.6/48.2
IC2	1130012430	S.IC S-24CS64A0I-T8T1G	B	97.2/33.1
IC3	1110006260	S.IC BD5242G-TR	B	10.3/64.3
IC5	1180000421	S.IC TA78L05F(TE12R,F)	B	50/13.3
IC6	1180001071	S.IC TA7805F(TE16L,Q)	B	171.5/48.1
IC7	1130013580	S.IC LC75813T-E	B	97.5/50.5
IC100	1180002080	S.REG BA09FP-E2	B	161.2/62.7
IC101	1180001071	S.IC TA7805F(TE16L,Q)	B	130.6/59.3
IC103	1130005721	S.IC TC7W04F(TE12L,F)	T	69.9/25.2
IC1071	1110001811	S.IC TA7368FG(5,ER)	T	130/5.9
Q1	1590000680	S.TRA DTC114EUA T106	B	174.6/16
Q51	1560001290	S.FET 2SK3065 T100	B	71.2/5.5
Q70	1540000441	S.TRA 2SD1619T-TD-E	B	151.7/41.7
Q71	1590000680	S.TRA DTC114EUA T106	B	158.8/43.9
Q72	1590000680	S.TRA DTC114EUA T106	B	158.8/41.4
Q102	1590001650	S.TRA XP4601(TX)	T	71.1/19.5
Q103	1590000680	S.TRA DTC114EUA T106	T	41.7/32
Q104	1590000680	S.TRA DTC114EUA T106	T	36.6/25.9
Q106	1590001330	S.TRA DTA114EUA T106	T	33.6/35.1
Q211	1530002060	S.TRA 2SC4081 T106 R	B	19.1/36
Q212	1590001330	S.TRA DTA114EUA T106	T	39.3/26.7
D1	1160000070	S.DIO DAN202K T146	B	22/26.3
D2	1790001250	S.DIO MA2S111-(TX)	B	50.2/34.4
D30	1790001250	S.DIO MA2S111-(TX)	T	142/55
D31	1160000070	S.DIO DAN202K T146	T	160.2/55.2
D32	1790001250	S.DIO MA2S111-(TX)	T	142/51
D33	1160000070	S.DIO DAN202K T146	T	160.2/46.2
D34	1790001250	S.DIO MA2S111-(TX)	T	142/37
D35	1160000070	S.DIO DAN202K T146	T	160.2/37.2
D36	1790001250	S.DIO MA2S111-(TX)	T	142/28
D37	1160000070	S.DIO DAN202K T146	T	160.2/28.2
D38	1790001250	S.DIO MA2S111-(TX)	T	141/64.2
D39	1160000070	S.DIO DAN202K T146	T	154.5/64.4
D40	1790001250	S.DIO MA2S111-(TX)	T	142.1/17.3
D41	1790001250	S.DIO MA2S111-(TX)	T	143.4/17.3
D42	1160000070	S.DIO DAN202K T146	T	79.2/23.2
D43	1790001250	S.DIO MA2S111-(TX)	T	82.7/13.4
D44	1790001250	S.DIO MA2S111-(TX)	T	76.2/22.8
D45	1790001250	S.DIO MA2S111-(TX)	B	45.7/29.3
D46	1730002531	S.ZEN NNCD6.2G-T1-A	B	139.3/21
D47	1790001250	S.DIO MA2S111-(TX)	B	31.8/33.9
D48	1790001250	S.DIO MA2S111-(TX) [EUR]	B	123.6/33.2
	1790001250	S.DIO MA2S111-(TX) [ITR]		
	1790001250	S.DIO MA2S111-(TX) [ESP]		
D49	1790001250	S.DIO MA2S111-(TX) [EUR-01]	B	123.6/31.9
	1790001250	S.DIO MA2S111-(TX) [USA]		
	1790001250	S.DIO MA2S111-(TX) [EUR]		
	1790001250	S.DIO MA2S111-(TX) [ITR]		
	1790001250	S.DIO MA2S111-(TX) [ESP]		
	1790001250	S.DIO MA2S111-(TX) [EUR-01]		
	1790001250	S.DIO MA2S111-(TX) [KOR]		
	1790001250	S.DIO MA2S111-(TX) [CHN]		
	1790001250	S.DIO MA2S111-(TX) [EXP]		
D50	1790001250	S.DIO MA2S111-(TX) [USA]	B	123.6/30.6
	1790001250	S.DIO MA2S111-(TX) [EUR]		
	1790001250	S.DIO MA2S111-(TX) [EUR-01]		
	1790001250	S.DIO MA2S111-(TX) [CHN]		
D51	1790001250	S.DIO MA2S111-(TX) [EXP]	B	123.6/29.3
	1790001250	S.DIO MA2S111-(TX) [FRA]		
	1790001250	S.DIO MA2S111-(TX) [ESP]		
	1790001250	S.DIO MA2S111-(TX) [EUR-01]		
D52	1790001250	S.DIO MA2S111-(TX) [KOR]	B	123.6/28
	1790001250	S.DIO MA2S111-(TX) [EUR]		
	1790001250	S.DIO MA2S111-(TX) [ITR]		
	1790001250	S.DIO MA2S111-(TX) [ESP]		
D53	1790001250	S.DIO MA2S111-(TX) [EUR-01]	B	123.6/26.7
	1790001250	S.DIO MA2S111-(TX) [USA]		
	1790001250	S.DIO MA2S111-(TX) [EUR]		
	1790001250	S.DIO MA2S111-(TX) [ITR]		
	1790001250	S.DIO MA2S111-(TX) [ESP]		
	1790001250	S.DIO MA2S111-(TX) [EUR-01]		
	1790001250	S.DIO MA2S111-(TX) [KOR]		
	1790001250	S.DIO MA2S111-(TX) [CHN]		
	1790001250	S.DIO MA2S111-(TX) [EXP]		
D54	1790001250	S.DIO MA2S111-(TX) [USA]	B	123.6/25.4
	1790001250	S.DIO MA2S111-(TX) [EUR]		
	1790001250	S.DIO MA2S111-(TX) [EUR-01]		
	1790001250	S.DIO MA2S111-(TX) [CHN]		
	1790001250	S.DIO MA2S111-(TX) [EXP]		
D55	1790001250	S.DIO MA2S111-(TX) [FRA]	B	123.6/24.1
	1790001250	S.DIO MA2S111-(TX) [ESP]		
	1790001250	S.DIO MA2S111-(TX) [EUR-01]		
	1790001250	S.DIO MA2S111-(TX) [KOR]		
D56	1160000070	S.DIO DAN202K T146	B	22/32.4
D57	1790001250	S.DIO MA2S111-(TX) [USA]	B	119.3/31.8
	1790001250	S.DIO MA2S111-(TX) [EUR]		
	1790001250	S.DIO MA2S111-(TX) [FRA]		
	1790001250	S.DIO MA2S111-(TX) [EUR-01]		
	1790001250	S.DIO MA2S111-(TX) [KOR]		
	1790001250	S.DIO MA2S111-(TX) [CHN]		
	1790001250	S.DIO MA2S111-(TX) [EXP]		
D58	1790001250	S.DIO MA2S111-(TX)	B	119.2/30.6
D59	1790001250	S.DIO MA2S111-(TX)	B	119.2/29.3
D61	1790001250	S.DIO MA2S111-(TX)	B	119.2/26.7
D62	1790001250	S.DIO MA2S111-(TX)	B	119.2/25.4
D63	1790001250	S.DIO MA2S111-(TX) [USA]	B	119.2/24.1
	1790001250	S.DIO MA2S111-(TX) [EUR]		
	1790001250	S.DIO MA2S111-(TX) [ITR]		
	1790001250	S.DIO MA2S111-(TX) [ESP]		
	1790001250	S.DIO MA2S111-(TX) [EUR-01]		

M.=Mounted side (T: Mounted on the Top side, B: Mounted on the Bottom side)  
S.=Surface mount

[LOGIC UNIT]

REF NO.	PARTS NO.	DESCRIPTION	M.	H/V LOCATION
D63	1790001250	S.DIO MA2S111-(TX) [KOR]		
	1790001250	S.DIO MA2S111-(TX) [CHN]		
	1790001250	S.DIO MA2S111-(TX) [EXP]		
D64	1790001250	S.DIO MA2S111-(TX)	B	116.6/24.1
D80	1730002320	S.ZEN MA8051-M(TX)	B	159.3/38.6
D81	1790001250	S.DIO MA2S111-(TX)	B	157.7/39
D102	1790001250	S.DIO MA2S111-(TX)	T	73/18.1
D104	1750000370	S.DIO DA221 TL	T	33.4/27.3
D120	1750000370	S.DIO DA221 TL	T	35.8/43.9
D121	1750000370	S.DIO DA221 TL	T	35.8/45.9
D122	1750000370	S.DIO DA221 TL	T	35.3/38.6
D123	1750000370	S.DIO DA221 TL	T	35.8/41.9
D124	1750000370	S.DIO DA221 TL	T	35.6/29.5
D125	1750000370	S.DIO DA221 TL	T	38.5/34.7
D126	1750000370	S.DIO DA221 TL	B	30.2/31.5
D180	1750000370	S.DIO DA221 TL	T	37.8/29.9
D194	1750000370	S.DIO DA221 TL	B	27.2/32.6
D211	1790001250	S.DIO MA2S111-(TX)	B	21.7/38.5
X1	6050010501	S.XTA CR-636A SMD-49 14.7456 MHz	B	64.6/62.4
L1	6200003261	S.COI NLV32T-101J	B	45.9/33
L2	6200003261	S.COI NLV32T-101J	B	80.8/45.9
L3	6200002041	S.COI NLV25T-101J	B	69.6/36.3
L40	6200003261	S.COI NLV32T-101J	B	136.8/17.4
L41	6200002041	S.COI NLV25T-101J	B	56.2/5.7
L42	6200002041	S.COI NLV25T-101J	B	56.2/3.2
L70	6200003261	S.COI NLV32T-101J	T	30.1/35.7
L100	6200003261	S.COI NLV32T-101J	T	67.8/29.5
L105	6200003261	S.COI NLV32T-101J	B	160.8/27.6
L1073	6200003261	S.COI NLV32T-101J	B	123.7/36.5
R1	7030003860	S.RES ERJ3GE JPW V	B	86.9/48.9
R2	7030003630	S.RES ERJ3GEYJ 393 V (39K)	B	86.9/51.5
R3	7030003630	S.RES ERJ3GEYJ 393 V (39K)	B	86.9/54.2
R4	7030003630	S.RES ERJ3GEYJ 393 V (39K)	B	85.1/54.7
R5	7030005671	S.RES ERA3YKD 393V (39K)	B	85.2/58.8
R6	7030003680	S.RES ERJ3GEYJ 104 V (100K)	B	85.2/60.1
R7	7030003440	S.RES ERJ3GEYJ 102 V (1K)	B	170.4/16.2
R18	7030006220	S.RES ERJ12YJ470U (47)	B	45.7/13.5
R19	7030010250	S.RES ERJ1TYJ 0R00U	B	159.8/49.9
R20	7030003640	S.RES ERJ3GEYJ 473 V (47K)	B	17.9/63.9
R21	7030003630	S.RES ERJ3GEYJ 393 V (39K)	B	13.9/63.5
R22	7030003560	S.RES ERJ3GEYJ 103 V (10K)	B	13.9/65.4
R24	7030003560	S.RES ERJ3GEYJ 103 V (10K)	B	96.4/29.3
R25	7030003600	S.RES ERJ3GEYJ 223 V (22K)	B	96.4/30.6
R31	7030003640	S.RES ERJ3GEYJ 473 V (47K)	B	50.2/33.1
R36	7030003640	S.RES ERJ3GEYJ 473 V (47K)	T	143.3/55
R37	7030003640	S.RES ERJ3GEYJ 473 V (47K)	T	143.3/51.1
R38	7030003640	S.RES ERJ3GEYJ 473 V (47K)	T	143.3/37
R39	7030003640	S.RES ERJ3GEYJ 473 V (47K)	T	143.3/28
R40	7030003640	S.RES ERJ3GEYJ 473 V (47K)	T	142.3/64.3
R41	7030003640	S.RES ERJ3GEYJ 473 V (47K)	T	144.7/17.3
R42	7030003640	S.RES ERJ3GEYJ 473 V (47K)	T	81.2/21.5
R43	7030003640	S.RES ERJ3GEYJ 473 V (47K)	T	76.3/21.5
R49	7030003720	S.RES ERJ3GEYJ 224 V (220K)	B	139.8/18.6
R51	7030003440	S.RES ERJ3GEYJ 102 V (1K)	B	21.7/34.7
R52	7030003480	S.RES ERJ3GEYJ 222 V (2.2K)	B	21.7/30
R53	7030003480	S.RES ERJ3GEYJ 222 V (2.2K)	B	19.1/30
R54	7030003720	S.RES ERJ3GEYJ 224 V (220K)	B	142.4/20.7
R55	7030003520	S.RES ERJ3GEYJ 472 V (4.7K)	B	19.1/31.3
R56	7030003440	S.RES ERJ3GEYJ 102 V (1K)	B	72.2/8.7
R57	7030003560	S.RES ERJ3GEYJ 103 V (10K)	B	74.5/6.3
R59	7030003560	S.RES ERJ3GEYJ 103 V (10K)	T	41.7/28.1
R60	7030003440	S.RES ERJ3GEYJ 102 V (1K)	B	152.8/26.8
R61	7030003440	S.RES ERJ3GEYJ 102 V (1K)	B	154.8/26.8
R62	7030003480	S.RES ERJ3GEYJ 222 V (2.2K)	B	29.2/33.1
R63	7030003480	S.RES ERJ3GEYJ 222 V (2.2K)	B	29.2/34.3
R64	7030003440	S.RES ERJ3GEYJ 102 V (1K)	B	156.8/26.8
R66	7030003440	S.RES ERJ3GEYJ 102 V (1K)	B	139.8/17.3
R67	7030003440	S.RES ERJ3GEYJ 102 V (1K)	B	142.4/22
R70	7030003380	S.RES ERJ3GEYJ 331 V (330)	B	155.8/40.9
R71	7030003410	S.RES ERJ3GEYJ 561 V (560)	B	155.8/44.8
R72	7030003430	S.RES ERJ3GEYJ 821 V (820)	B	155.8/43.5
R73	7030003510	S.RES ERJ3GEYJ 392 V (3.9K)	B	155.8/42.2
R74	7030003440	S.RES ERJ3GEYJ 102 V (1K)	B	155.8/46.1
R75	7030009800	S.RES ERJ12YJ121U (120)	B	142.8/43.9
R76	7030003440	S.RES ERJ3GEYJ 102 V (1K)	T	19.2/24.4
R77	7030003440	S.RES ERJ3GEYJ 102 V (1K)	T	18.4/26.7
R78	7030003440	S.RES ERJ3GEYJ 102 V (1K)	T	18.4/32.6
R79	7030003440	S.RES ERJ3GEYJ 102 V (1K)	T	18.4/29.7
R80	7030003420	S.RES ERJ3GEYJ 681 V (680)	B	156.4/39
R81	7030009800	S.RES ERJ12YJ121U (120)	B	146.5/43.9
R82	7030009800	S.RES ERJ12YJ121U (120)	B	139/43.9
R100	7030003680	S.RES ERJ3GEYJ 104 V (100K)	T	70.4/29.6
R101	7030003680	S.RES ERJ3GEYJ 104 V (100K)	T	71.7/29.6
R102	7030003680	S.RES ERJ3GEYJ 104 V (100K)	T	67.9/20.8
R103	7030003590	S.RES ERJ3GEYJ 183 V (18K)	T	69.2/20.8
R104	7030003540	S.RES ERJ3GEYJ 682 V (6.8K)	T	67.9/18.2
R105	7030003620	S.RES ERJ3GEYJ 333 V (33K)	T	70.9/17.3
R106	7030003640	S.RES ERJ3GEYJ 473 V (47K)	T	71/21.5
R107	7030003600	S.RES ERJ3GEYJ 223 V (22K)	B	7.6/32.7
R108	7030003380	S.RES ERJ3GEYJ 331 V (330)	T	33.4/37.5
R109	7030010500	S.RES ERJ1TYJ 2R2U	B	155/55.6
R110	7030010250	S.RES ERJ1TYJ 0R00U	B	142.5/54.8
R113	7030003860	S.RES ERJ3GE JPW V	T	73.2/21.9
R114	7030003440	S.RES ERJ3GEYJ 102 V (1K)	T	33.9/25.6
R115	7030003800	S.RES ERJ3GEYJ 105 V (1M)	T	31.3/26.4
R126	7030003360	S.RES ERJ3GEYJ 221 V (220)	T	38.7/42.3
R127	7030003360	S.RES ERJ3GEYJ 221 V (220)	T	38.7/40.9
R151	7030003360	S.RES ERJ3GEYJ 221 V (220)	T	41.3/42.4

[LOGIC UNIT]

REF NO.	PARTS NO.	DESCRIPTION	M.	H/V LOCATION
R152	7030003360	S.RES ERJ3GEYJ 221 V (220)	T	41.3/41.1
R153	7030003640	S.RES ERJ3GEYJ 473 V (47K)	T	30/58.9
R154	7030003360	S.RES ERJ3GEYJ 221 V (220)	B	29.6/29.2
R155	7030003360	S.RES ERJ3GEYJ 221 V (220)	T	41.3/43.7
R156	7030003360	S.RES ERJ3GEYJ 221 V (220)	T	41.3/45
R157	7030003360	S.RES ERJ3GEYJ 221 V (220)	T	33.1/29.5
R158	7030003360	S.RES ERJ3GEYJ 221 V (220)	B	31/29.2
R159	7030003360	S.RES ERJ3GEYJ 221 V (220)	B	33.6/29.2
R162	7030003640	S.RES ERJ3GEYJ 473 V (47K)	T	35.1/56.3
R163	7030003440	S.RES ERJ3GEYJ 102 V (1K)	B	40/30.2
R169	7030003360	S.RES ERJ3GEYJ 221 V (220)	B	32.3/29.2
R171	7030003360	S.RES ERJ3GEYJ 221 V (220)	B	34.3/54.8
R172	7030003360	S.RES ERJ3GEYJ 221 V (220)	B	36.8/50.7
R173	7030006571	S.RES ERA3YED 392V (3.9K)	T	39.2/38.9
R174	7030006101	S.RES ERA3YED 183V (18K)	T	37.4/32.9
R175	7030003360	S.RES ERJ3GEYJ 221 V (220)	T	28.7/58.9
R176	7030003360	S.RES ERJ3GEYJ 221 V (220)	B	35.5/50.3
R177	7030003360	S.RES ERJ3GEYJ 221 V (220)	B	34.2/50.3
R180	7030003640	S.RES ERJ3GEYJ 473 V (47K)	T	39.4/29.7
R181	7030003640	S.RES ERJ3GEYJ 473 V (47K)	T	35.5/40.2
R182	7030003640	S.RES ERJ3GEYJ 473 V (47K)	T	35.2/37
R183	7030003440	S.RES ERJ3GEYJ 102 V (1K)	T	35.3/31.1
R197	7030003480	S.RES ERJ3GEYJ 222 V (2.2K)	B	21.7/28.7
R198	7030003480	S.RES ERJ3GEYJ 222 V (2.2K)	B	19.7/27.9
R199	7030003520	S.RES ERJ3GEYJ 472 V (4.7K)	B	18.5/26.5
R201	7030003440	S.RES ERJ3GEYJ 102 V (1K)	B	21.7/24
R202	7030003440	S.RES ERJ3GEYJ 102 V (1K)	B	52.8/93.1
R203	7030003440	S.RES ERJ3GEYJ 102 V (1K)	B	56.1/37.2
R204	7030003440	S.RES ERJ3GEYJ 102 V (1K)	B	57.1/34.6
R205	7030003440	S.RES ERJ3GEYJ 102 V (1K)	B	55.1/37.2
R206	7030003440	S.RES ERJ3GEYJ 102 V (1K)	B	58.7/34.6
R207	7030003440	S.RES ERJ3GEYJ 102 V (1K)	B	60/37.2
R211	7030003640	S.RES ERJ3GEYJ 473 V (47K)	B	21.7/37.3
R212	7030003360	S.RES ERJ3GEYJ 221 V (220)	B	32.9/50.2
R213	7030003520	S.RES ERJ3GEYJ 472 V (4.7K)	B	23.6/36.7
R214	7030003620	S.RES ERJ3GEYJ 333 V (33K)	B	21.7/36
R215	7030003580	S.RES ERJ3GEYJ 153 V (15K)	B	19.1/33.9
R216	7030003440	S.RES ERJ3GEYJ 102 V (1K)	T	76.2/24.1
R217	7030003440	S.RES ERJ3GEYJ 102 V (1K)	T	83/23.4
R218	7030003440	S.RES ERJ3GEYJ 102 V (1K)	T	83/24.7
R219	7030003440	S.RES ERJ3GEYJ 102 V (1K)	T	83/26
R220	7030003440	S.RES ERJ3GEYJ 102 V (1K)	T	83/27.3
R221	7030003440	S.RES ERJ3GEYJ 102 V (1K)	T	83/28.6
R227	7030003200	S.RES ERJ3GEYJ 100 V (10)	B	136.9/21.3
R228	7030003360	S.RES ERJ3GEYJ 221 V (220)	T	39.7/55.6
R229	7030003360	S.RES ERJ3GEYJ 221 V (220)	T	32.5/58.9
R230	7030003360	S.RES ERJ3GEYJ 221 V (220)	T	33.8/58.9
R231	7030003360	S.RES ERJ3GEYJ 221 V (220)	T	35.1/58.9
R232	7030003360	S.RES ERJ3GEYJ 221 V (220)	T	36.4/58.9
R233	7030003360	S.RES ERJ3GEYJ 221 V (220)	T	37.7/58.9
R234	7030003360	S.RES ERJ3GEYJ 221 V (220)	B	42.6/55.4
R235	7030003360	S.RES ERJ3GEYJ 221 V (220)	T	38.5/55.6
R236	7030003360	S.RES ERJ3GEYJ 221 V (220)	B	40/55.4
R237	7030003360	S.RES ERJ3GEYJ 221 V (220)	B	43.9/55.4
R238	7030003360	S.RES ERJ3GEYJ 221 V (220)	B	38.7/55.3
R239	7030003860	S.RES ERJ3GE JPW V	T	38.7/43.5
R301	7030003640	S.RES ERJ3GEYJ 473 V (47K)	B	75.9/53.4
R302	7030003640	S.RES ERJ3GEYJ 473 V (47K)	B	81.6/55.7
R303	7030003640	S.RES ERJ3GEYJ 473 V (47K)	B	81.6/54.4
R304	7030003640	S.RES ERJ3GEYJ 473 V (47K)	B	74.6/53.4
R305	7030003560	S.RES ERJ3GEYJ 103 V (10K)	B	72.6/64.1
R306	7030003680	S.RES ERJ3GEYJ 104 V (100K)	B	75.2/64.1
R307	7030003640	S.RES ERJ3GEYJ 473 V (47K)	B	73.9/64.1
R1071	7030003530	S.RES ERJ3GEYJ 562 V (5.6K)	T	129.7/13.7
R1072	7030003410	S.RES ERJ3GEYJ 561 V (560)	T	129.6/12.5
R1073	7030003860	S.RES ERJ3GE JPW V	T	132.3/12
R1074	7030003860	S.RES ERJ3GE JPW V	T	127.9/11.2
R1075	7030003360	S.RES ERJ3GEYJ 221 V (220)	T	41/55.6
R1076	7030003360	S.RES ERJ3GEYJ 221 V (22		

**[LOGIC UNIT]**

REF NO.	PARTS NO.	DESCRIPTION	M.	H/V LOCATION
C45	4030006880	S.CER C1608 JB 1H 472K-T	B	155.5/28.7
C47	4030006880	S.CER C1608 JB 1H 472K-T	B	66.1/3.3
C49	4030006880	S.CER C1608 JB 1H 472K-T	B	158.1/28.7
C50	4030006880	S.CER C1608 JB 1H 472K-T	B	25.6/32.5
C70	4030006880	S.CER C1608 JB 1H 472K-T	T	15.5/29.6
C71	4030006880	S.CER C1608 JB 1H 472K-T	T	16.9/33.8
C72	4030006880	S.CER C1608 JB 1H 472K-T	T	15.5/28.3
C73	4030006880	S.CER C1608 JB 1H 472K-T	T	15.9/25.7
C74	4030017490	S.CER C1608 JB 1A 105K-T	B	155.1/39
C101	4030011600	S.CER C1608 JB 1E 104K-T	T	66.5/26.4
C102	4030006880	S.CER C1608 JB 1H 472K-T	T	36.5/27.8
C103	4030012610	S.CER C2012 JB 1C 474K-T	T	66.2/23.4
C104	4030011600	S.CER C1608 JB 1E 104K-T	B	138/60.8
C105	4030011600	S.CER C1608 JB 1E 104K-T	B	155.8/61.2
C106	4030019490	S.CER C2012 JB 1A 106K-T	B	139.7/61.3
C107	4030011600	S.CER C1608 JB 1E 104K-T	B	155.8/64.2
C108	4030019490	S.CER C2012 JB 1A 106K-T	B	136.4/54.5
C109	4030019490	S.CER C2012 JB 1A 106K-T	B	154.1/63.4
C110	4030011600	S.CER C1608 JB 1E 104K-T	B	138/57.9
C158	4030017490	S.CER C1608 JB 1A 105K-T	B	39.7/37.4
C170	4030006880	S.CER C1608 JB 1H 472K-T	B	23.5/23.6
C171	4030006880	S.CER C1608 JB 1H 472K-T	T	39.2/37.7
C172	4030018910	S.CER C1608 JB 0J 475K-T	T	38.4/36.4
C211	4030006880	S.CER C1608 JB 1H 472K-T	B	19.1/32.6
C212	4030011600	S.CER C1608 JB 1E 104K-T	B	19.1/38.4
C1071	4030011600	S.CER C1608 JB 1E 104K-T	T	127.8/14.5
C1072	4510009700	S.ELE EEEFK1C101P	B	128.2/19.3
C1073	4510009820	S.ELE EEEFK1C470P	B	129.1/5.1
C1074	4510009820	S.ELE EEEFK1C470P	B	129.1/12.2
J1	6510018971	S.CON B4B-PH-SM4-TB(LF)(SN)	B	140.7/29.4
J3	6510019971	S.CON 52808-1071	B	157.3/22.7
J4	6510019971	S.CON 52808-1071	B	61/7.7
J5	6510019971	S.CON 52808-1071	B	9.3/29.1
J101	6510024151	S.CON 50FY-BMT-TB(LF)(SN)	B	39.2/25.8
J102	6510024151	S.CON 50FY-BMT-TB(LF)(SN)	B	39.2/61
J301	6510019971	S.CON 52808-1071	B	77.2/59.4
DS1	5030003090	LCD S11325 <SUC>		
DS2	5040002940	S.LED TLYU1002A(T02)	T	172.5/14.3
DS70	5040002940	S.LED TLYU1002A(T02)	T	61.5/49.1
DS71	5040002940	S.LED TLYU1002A(T02)	T	53/49.1
DS73	5040002940	S.LED TLYU1002A(T02)	T	53/59.2
DS74	5040002940	S.LED TLYU1002A(T02)	T	61.5/59.2
DS76	5040002940	S.LED TLYU1002A(T02)	T	70/59.2
DS77	5040002940	S.LED TLYU1002A(T02)	T	70/49.1
DS79	5040002940	S.LED TLYU1002A(T02)	T	78.5/59.2
DS80	5040002940	S.LED TLYU1002A(T02)	T	78.5/49.1
DS82	5040002940	S.LED TLYU1002A(T02)	T	87/59.2
DS83	5040002940	S.LED TLYU1002A(T02)	T	87/49.1
DS85	5040002940	S.LED TLYU1002A(T02)	T	95.5/59.2
DS86	5040002940	S.LED TLYU1002A(T02)	T	95.5/49.1
DS88	5040002940	S.LED TLYU1002A(T02)	T	104/59.2
DS89	5040002940	S.LED TLYU1002A(T02)	T	104/49.1
EP2	8930076650	LCD SRCN-3015-SP-N-W (SHJ)		
EP4	6910012350	S.BEA MMZ1608Y 102BT	B	63.8/14.9
EP5	6910012350	S.BEA MMZ1608Y 102BT	T	12.5/24.8
EP6	6910012350	S.BEA MMZ1608Y 102BT	B	21.6/21.3
EP45	6910012350	S.BEA MMZ1608Y 102BT	B	57.3/10.2
EP46	6910012350	S.BEA MMZ1608Y 102BT	B	57.3/8.2
EP47	6910018930	S.BEA MPZ2012S601A	T	41.9/23.2
EP48	6910018930	S.BEA MPZ2012S601A	T	41.9/21.5
EP49	6910018930	S.BEA MPZ2012S601A	B	41/21.1
EP50	6910018930	S.BEA MPZ2012S601A	B	45.5/21
EP51	6910018930	S.BEA MPZ2012S601A	B	65.4/7.4
EP52	6910018930	S.BEA MPZ2012S601A	B	65.4/11.1
EP53	6910018930	S.BEA MPZ2012S601A	B	8.8/25.3
EP54	6910018930	S.BEA MPZ2012S601A	B	66.3/4.9
EP55	6910018930	S.BEA MPZ2012S601A	B	43/21

**[VR-A UNIT]**

REF NO.	PARTS NO.	DESCRIPTION	M.	H/V LOCATION
R1	7210002910	VAR RV-310(RK0972210 10KB/10KB)		
R2	7210002960	VAR RV-313(RK0972210 10KB/10KB)		
J1	6510026670	S.CON IMSA-6281S-06Y900	T	21.6/5.1

**[VR-B UNIT]**

REF NO.	PARTS NO.	DESCRIPTION	M.	H/V LOCATION
J1	6510020711	S.CON 52793-1070(1090)	T	9.2/2.4
S1	2250000640	ENC TP96D96E20-22F-10KB-3015		

**[MIC UNIT]**

REF NO.	PARTS NO.	DESCRIPTION	M.	H/V LOCATION
J1	6510000191	CON FM214-8SS(P)-1		
J2	6510019971	S.CON 52808-1071	B	18.1/6.5

**[PHONE UNIT]**

REF NO.	PARTS NO.	DESCRIPTION	M.	H/V LOCATION
R1	7030006070	S.RES ERJ12YJ101U (100)	T	24.6/5
R2	7030006070	S.RES ERJ12YJ101U (100)	T	24.6/10.1
R3	7030003440	S.RES ERJ3GEYJ 102 V (1K)	T	23.1/12.6
C1	4030006880	S.CER C1608 JB 1H 472K-T	B	27.7/9.6
C2	4030006880	S.CER C1608 JB 1H 472K-T	T	23.1/2.5
C3	4030006880	S.CER C1608 JB 1H 472K-T	T	23.1/13.9
J1	6510023891	CON S-G4617#01F 0		
J2	6510019971	S.CON 52808-1071	B	26.6/4
EP1	6910014690	S.BEA MPZ1608S221A-T	B	29.2/8.1

M.=Mounted side (T: Mounted on the Top side, B: Mounted on the Bottom side)  
S.=Surface mount

# SECTION 6

# MECHANICAL PARTS

## [CHASSIS] (C)

REF NO.	ORDER NO.	DESCRIPTION	QTY.
J1*	6510000370	MR-DS	1
P1**	5610000380	TMP-K01X-A1	1
P2**	5610000380	TMP-K01X-A1	1
P3**	5610000380	TMP-K01X-A1	1
P4**	5610000380	TMP-K01X-A1	1
P5**	5610000380	TMP-K01X-A1	1
P6**	5610000380	TMP-K01X-A1	1
P7**	5610000380	TMP-K01X-A1	1
P8**	5610000380	TMP-K01X-A1	1
MF1	2710000810	FD124010HB-1N7	1
MF2	2710000810	FD124010HB-1N7	1
W1**	8900014720	OPC-909A	1
W5**	8900017870	OPC-1887	1
W6**	8900017870	OPC-1887	1
W7**	8900017870	OPC-1887	1
W8**	8900017870	OPC-1887	1
W9**	8900017870	OPC-1887	1
W10**	9025900290	62/99/150/C31/C31	1
W11**	9086700300	Wire 8	1
W12**	9025900290	62/99/150/C31/C31	1
W13**	9086700300	Wire 8	1
W14**	9025900290	62/99/150/C31/C31	1
W15**	9086700300	Wire 8	1
W16**	9025900290	62/99/150/C31/C31	1
W17**	9086700300	Wire 8	1
MP1	8010021070	3015 CHASSIS	1
MP2	8110009510	3015 L-COVER	1
MP3	8110009500	3015 U-COVER	1
MP4	8930075130	3015 L-PACKING	1
MP5	8930075140	3015 U-PACKING	1
MP6	8930075590	3015 ANT PLATE	1
MP7	8510018690	3015 MAIN COVER	1
MP8	8510018700	3015 PA COVER	1
MP9	8930042690	RUBBER REG (L)	2
MP10	8930075100	3015 STAND HOLDER	2
MP11	8930074520	3015 STAND	1
MP12	8810008661	SCREW BT B0 3X8 NI-ZC3 (BT)	5
MP13	8810008661	SCREW BT B0 3X8 NI-ZC3 (BT)	5
MP14	8810008661	SCREW BT B0 3X8 NI-ZC3 (BT)	5
MP15	8810008661	SCREW BT B0 3X8 NI-ZC3 (BT)	8
MP16	8810008661	SCREW BT B0 3X8 NI-ZC3 (BT)	2
MP17	8810010491	SCREW PH M3X15 ZK3	7
MP18	8810010491	SCREW PH M3X15 ZK3	7
MP19	8810004431	SCREW PH M3X6 ZK3	4
MP20	8810004431	SCREW PH M3X6 ZK3	4
MP21	8810003171	SETSCREW (A) 3X8 ZC3	6
MP24	8810009991	SCREW BT B0 3X8 NI-ZK3 (BT)	2
MP25	8930076070	3015 BUSH	1
MP26	8930076080	3015 A-NET	1
MP27	8930076090	3015 FAN HOLDER	1
MP28	8810008661	SCREW BT B0 3X8 NI-ZC3 (BT)	4
MP29	8810004301	SCREW PH M3X10 ZK3	4
MP30	8810009371	SCREW BT B0 3X12NI-ZK3 (BT)	1
MP31	8820000530	FLANGE BOLT M4X8 NI	1
MP32	8850000140	FLAT WASHER M4 BS NI	2
MP33	8850000430	S-WASHER M4 NI	1
MP34	8930075810	SPONGE (KB)	1
MP35	8930075810	SPONGE (KB)	1
MP36	8930047070	SPONGE (FQ)	1
MP37	8930049770	SPONGE (GF)	1
MP38	8930049770	SPONGE (GF)	1
MP39	8930071840	HIMELON SHEET (CT)	1
MP40	8930077150	INSULATION SHEET (MJ)	2
MP42	8930077680	3015 PA EARTH SPRING	1
MP42	8930077680	3015 PA EARTH SPRING	[EUR] 1
MP42	8930077680	3015 PA EARTH SPRING	[FRA] 1
MP42	8930077680	3015 PA EARTH SPRING	[ITR] 1
MP42	8930077680	3015 PA EARTH SPRING	[ESP] 1
MP42	8930077680	3015 PA EARTH SPRING	[EUR-01] 1
MP43	8930048971	SHIELD TAPE (C)-1	[EUR] 2
MP43	8930048971	SHIELD TAPE (C)-1	[FRA] 2
MP43	8930048971	SHIELD TAPE (C)-1	[ITR] 2
MP43	8930048971	SHIELD TAPE (C)-1	[ESP] 2
MP43	8930048971	SHIELD TAPE (C)-1	[EUR-01] 2
MP121	8930068260	THERMALLY SHEET (AV)	1
MP1091	8930049600	2240 IC CLIP	1
MP3242	8930078200	3015 IC CLIP	1

## [FRONT UNIT] (F)

REF NO.	ORDER NO.	DESCRIPTION	QTY.
SP1	2510001480	4050P0802	1
W1**	8900014720	OPC-909A	1
W2**	8900014740	OPC-885A	1
W3**	8900014740	OPC-885A	1
W4**	8900018190	OPC-1892A	1
	8900018200	OPC-1941	[USA] 1
	8900018200	OPC-1941	[EUR] 1
	8900018200	OPC-1941	[FRA] 1
	8900018200	OPC-1941	[ITR] 1
	8900018200	OPC-1941	[ESP] 1
	8900018200	OPC-1941	[EUR-01] 1
	8900018190	OPC-1892A	[KOR] 1
	8900018190	OPC-1892A	[CHN] 1
	8900018190	OPC-1892A	[EXP] 1
EP1	0880001360	EX-2500 [USA]	1
EP3	6450001230	HLJ0999-01-480 (SNAP PLATE)	1
MP1	8210024670	3015 FRONT PANEL	1
MP2	8310071540	3015 WINDOW PLATE	1
MP3	8830003210	3015 HEX NUT	2
MP4	8610013750	KNOB N-366 COVER (Incl. MP30, 31)	1
MP5	8610013671	KNOB N-375-1	1
MP6	8610013610	KNOB N-367 (Incl. MP29)	1
MP7	8610013621	KNOB N-368-1	1
MP8	8610013630	KNOB N-369 (Incl. MP29)	1
MP9	8610013640	KNOB N-370 (Incl. MP23)	1
MP10	8610013651	KNOB N-371-1	1
MP11	8930075120	3015 FRONT PACKING	1
MP12	8930074990	3015 17-KEY	1
MP13	8930075000	3015 6-KEY	1
MP14	8930074530	3015 JACK HOLDER	1
MP15	8930076520	3015 A-VR RUBBER	1
MP16	8820001490	3015 CAP SCREW	8
MP17	8930076510	3015 VR RUBBER	1
MP18	8930074540	O-RING (BU)	1
MP19	8930074350	O-RING (BW)	8
MP20	8930075160	3015 LENS	1
MP21	8010021020	3015 SUB CHASSIS	1
MP23	8610007510	KNOB SPRING NO.7800	1
MP24	8930069760	2914 SP NET	1
MP26	8930075150	3015 CONNECTOR SEAL	1
MP27	8810008661	SCREW BT B0 3X8 NI-ZC3 (BT)	6
MP28	8810008661	SCREW BT B0 3X8 NI-ZC3 (BT)	6
MP29	8610007420	KNOB SPRING NO.6601	2
MP30	8610010040	KNOB-N-239 FINGER REST	1
MP31	8930060190	2591 N-SPRING	1
MP32	8610010024	KNOB-N-239 BASE-4	1
MP33	8930021220	SPONGE (CP)	1
MP34	8930071830	HIMELON SHEET (CS)	1
MP35	8930070300	SPONGE (JD)	1
MP36	8930021220	SPONGE (CP)	1
MP37	8930067980	SHIELD SPONGE (AS)	[EUR] 1
	8930067980	SHIELD SPONGE (AS)	[FRA] 1
	8930067980	SHIELD SPONGE (AS)	[ITR] 1
	8930067980	SHIELD SPONGE (AS)	[ESP] 1
	8930067980	SHIELD SPONGE (AS)	[EUR-01] 1
MP38	8930078390	THERMALLY SHEET (BQ)	1
MP39	8930072650	RUBBER SHEET (BX)	1

\*: Refer to "BOARD LAYOUTS" for the location.

\*\* : Refer to "GENERAL WIRING" for the location.



**[MIC BOARD] (MC)**

REF NO.	ORDER NO.	DESCRIPTION	QTY.
J1	6510000191	FM214-8SS (P)-1	1
J2*	6510019971	52808-1071	1

**[PHONE] (PH)**

REF NO.	ORDER NO.	DESCRIPTION	QTY.
J1	6510023891	S-G4617#01F	1
J2*	6510019971	52808-1071	1

**[VR-A BOARD] (VA)**

REF NO.	ORDER NO.	DESCRIPTION	QTY.
R1	7210002910	RV-310 (RK0972210 10KB/10KB)	1
R2	7210002960	RV-313 (RK0972210 10KB/10KB) *	1
J1*	6510026670	IMS-A-6281S-06A-G	1

**[VR-B BOARD] (VB)**

REF NO.	ORDER NO.	DESCRIPTION	QTY.
J1*	6510020711	52793-1070	1
S1	2250000640	TP96D96E20-22F-B103-3015	1

**[LOGIC UNIT] (L)**

REF NO.	ORDER NO.	DESCRIPTION	QTY.
J1*	6510018971	B4B-PH-SM4-TB (LF) (SN)	1
J3*	6510019971	52808-1071	1
J4*	6510019971	52808-1071	1
J5*	6510019971	52808-1071	1
J101*	6510024151	50FY-BMT-TB (LF) (SN)	1
J102*	6510024151	50FY-BMT-TB (LF) (SN)	1
J301*	6510019971	52808-1071	1
DS1	5030003090	S11325	1
EP2	8930076650	SRCN-3015-SP-N-W	2
MP1	8210024710	3015 REFLECTOR	1
MP2	8930074390	3015 LCD HOLDER	1
MP3	8930075470	3015 LCD FILTER	1

**[MAIN UNIT] (M)**

REF NO.	ORDER NO.	DESCRIPTION	QTY.
J1*	6510024151	50FY-BMT-TB (LF) (SN)	1
J2*	6510024151	50FY-BMT-TB (LF) (SN)	1
J4*	6510024151	50FY-BMT-TB (LF) (SN)	1
J5*	6510024151	50FY-BMT-TB (LF) (SN)	1
J6*	6510024151	50FY-BMT-TB (LF) (SN)	1
J7*	6510007020	TMP-J01X-V6	1
J8*	6450000140	HSJ0807-01-010	1
J9*	6450000140	HSJ0807-01-010	1
J11*	6510019971	52808-1071	1
J1531*	6510025840	AXN316C038P	1
J3201*	6510026540	UBB-4R-D14T-4D (LF) (SN)	1
J3203*	6510014961	B2B-ZR-SM4-TF (LF) (SN)	1
EP504*	6910002161	CASE-BM7H-LF	1
EP541*	6910002161	CASE-BM7H-LF	1
EP551*	6910002161	CASE-BM7H-LF	1
EP2561*	6910002161	CASE-BM7H-LF	1
EP2566*	6910002161	CASE-BM7H-LF	1
MP1	8930077690	3015 MAIN EARTH SPRING	[USA] 1
MP1	8930077690	3015 MAIN EARTH SPRING	[EUR] 1
MP1	8930077690	3015 MAIN EARTH SPRING	[FRA] 1
MP1	8930077690	3015 MAIN EARTH SPRING	[ITR] 1
MP1	8930077690	3015 MAIN EARTH SPRING	[ESP] 1
MP1	8930077690	3015 MAIN EARTH SPRING	[EUR-01] 1
MP551	8930076610	3015 LS SPRING	1
MP581	8930057870	2429 EARTH SPRING	1
MP1521	8930070510	THERMALLY SHEET (BF)	1
MP2501*	8510015770	2590 DSP CASE	1
MP2541	8930070510	THERMALLY SHEET (BF)	1
MP2801*	8510015880	2590 S2LO CASE	1
MP3201	8930068000	SHIELD SPONGE (AT)	[USA] 1
MP3201	8930068000	SHIELD SPONGE (AT)	[EUR] 1
MP3201	8930068000	SHIELD SPONGE (AT)	[FRA] 1
MP3201	8930068000	SHIELD SPONGE (AT)	[ITR] 1
MP3201	8930068000	SHIELD SPONGE (AT)	[ESP] 1
MP3201	8930068000	SHIELD SPONGE (AT)	[EUR-01] 1
MP3202	8930078630	FERRITE SHEET (AB)	1

**[RF UNIT] (RF)**

REF NO.	ORDER NO.	DESCRIPTION	QTY.
RL1	6330001721	ATN207-K1	1
RL501	6330001721	ATN207-K1	1
J5*	6510024151	50FY-BMT-TB (LF) (SN)	1
J6*	6510024151	50FY-BMT-TB (LF) (SN)	1
J7	6510007020	TMP-J01X-V6	1
J8	6510007020	TMP-J01X-V6	1
J10	6510007020	TMP-J01X-V6	1
J501	6450001641	TCS5044-0141177	1
J502	6450001130	JPJ2042-01-110	1
J503	6510023900	LGR4619-7000	1
MP1	8930075430	3015 ANT SPRING	1

**[PA UNIT] (PA)**

REF NO.	ORDER NO.	DESCRIPTION	QTY.
RL1	6330001600	ALD112	1
J4*	6510024151	50FY-BMT-TB (LF) (SN)	1
J8	6510007020	TMP-J01X-V6	1
J9	6510007020	TMP-J01X-V6	1
J12	6510001920	1490R	1
J13	6510009890	PD054-04M	1
J131*	6510014961	B2B-ZR-SM4-TF (LF) (SN)	1
J132*	6510014961	B2B-ZR-SM4-TF (LF) (SN)	1
F1	5220000400	FHA010-01F	1
F2	5210000940	1205	1
WS1	8600036641	SX2242 J12 13PA-1	1
W40	8900018210	OPC-1942	[USA] 1
	8900018220	OPC-1943	[EUR] 1
	8900018220	OPC-1943	[FRA] 1
	8900018220	OPC-1943	[ITR] 1
	8900018220	OPC-1943	[ESP] 1
	8900018220	OPC-1943	[EUR-01] 1
	8900017860	OPC-1857	[KOR] 1
	8900017860	OPC-1857	[CHN] 1
	8900017860	OPC-1857	[EXP] 1
MP4	8930075440	3015 RUG SPRING	1
MP5	8930075440	3015 RUG SPRING	1
MP39	8930073470	THERMALLY SHEET (BK)	1

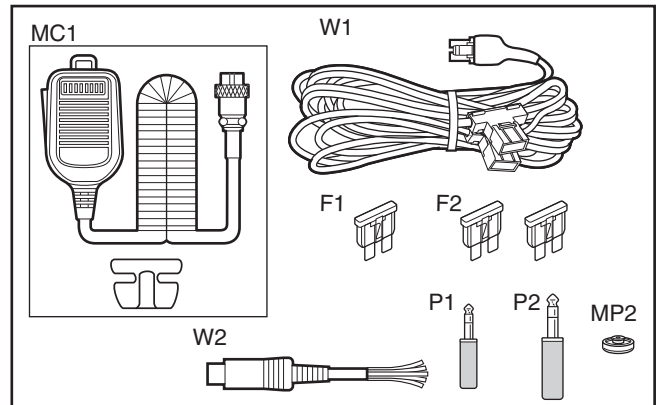
**[ACCESSORIES]**

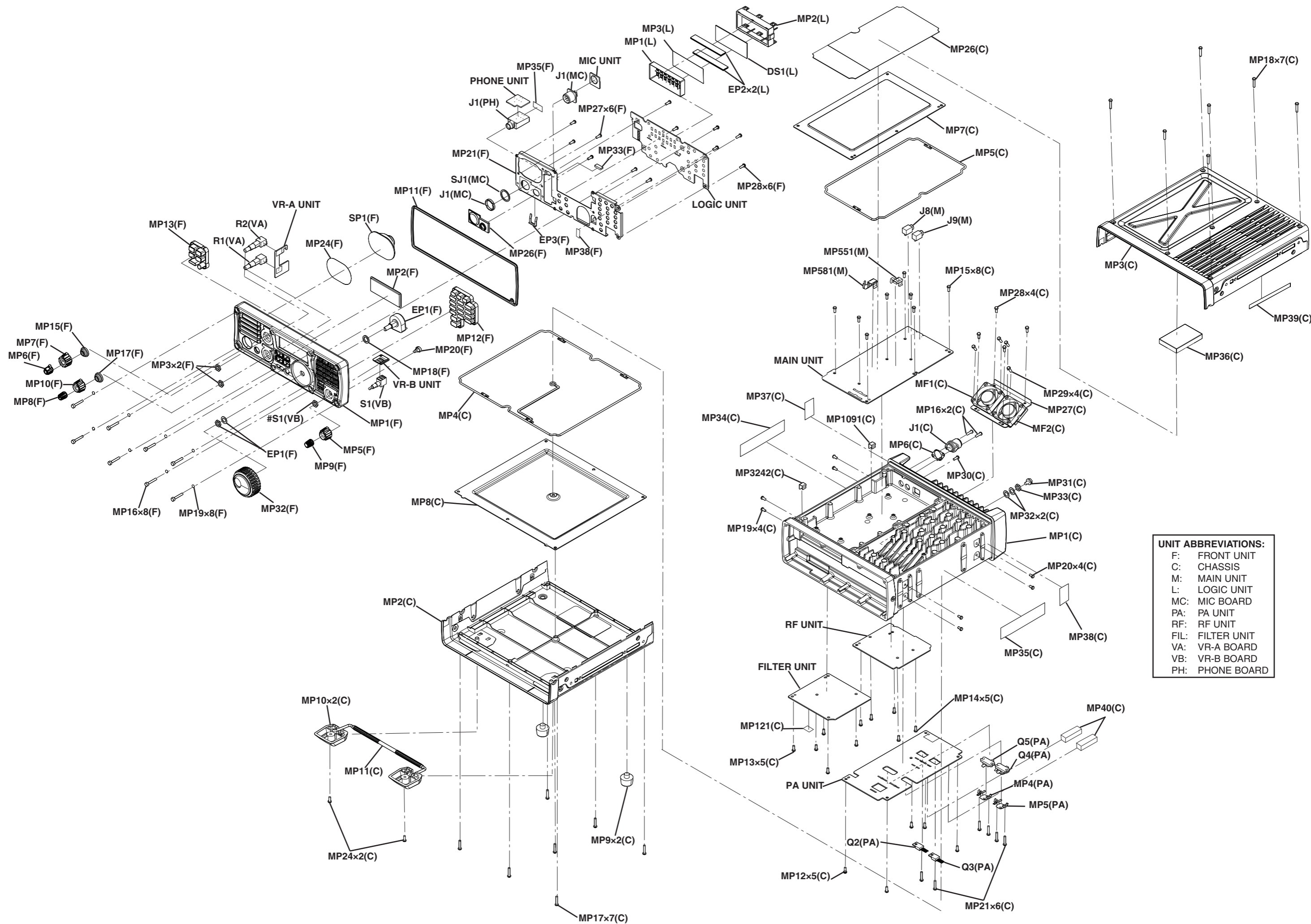
REF NO.	ORDER NO.	DESCRIPTION	QTY.
P1	5610000410	AP-319	1
P2	5610000420	AP-338	1
MC1†	-	HM-36-1	1
F1	5210000840	ATC 30	2
F2	5210000940	1205	1
W1	8900013980	OPC-1457	1
W2	8900006110	OPC-596	1
MP2	8930076480	3015 JACK CAP	1

\*: Refer to "BOARD LAYOUTS" for the location.

\*\* : Refer to "GENERAL WIRING" for the location.

†: Optional product.



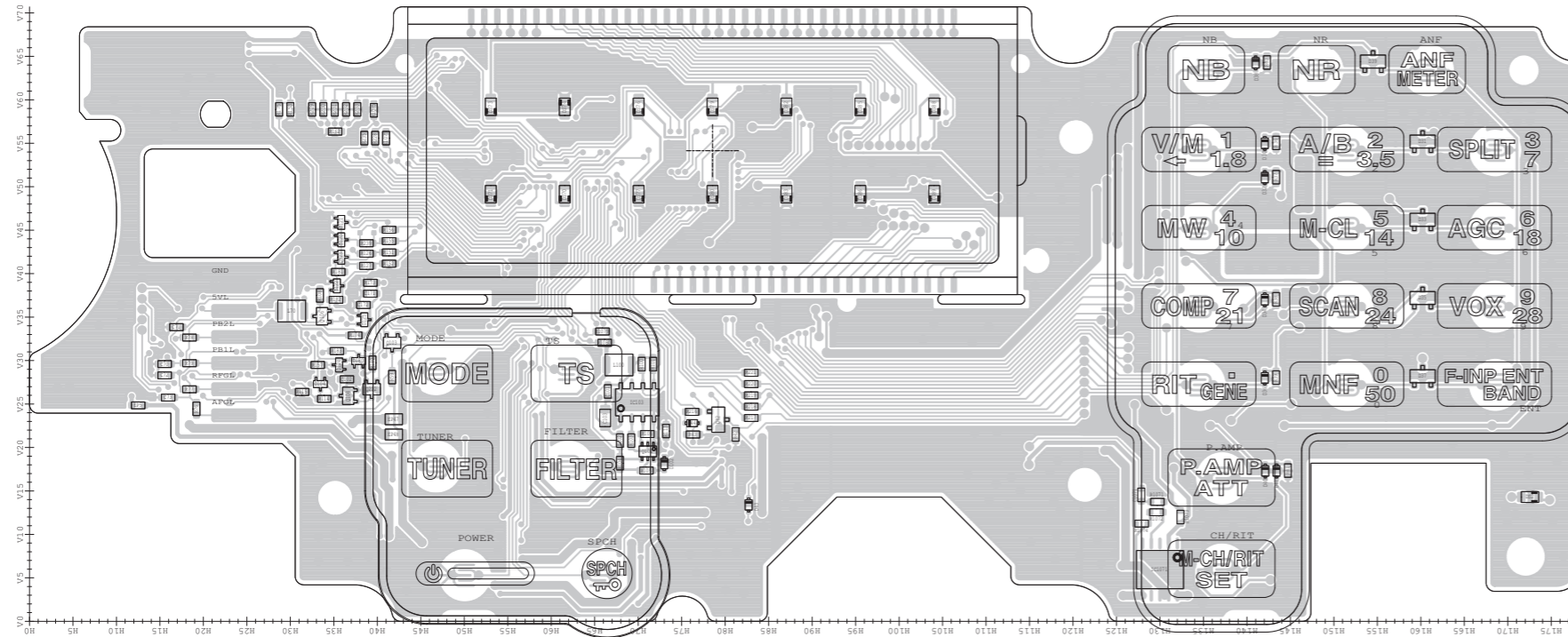


**UNIT ABBREVIATIONS:**

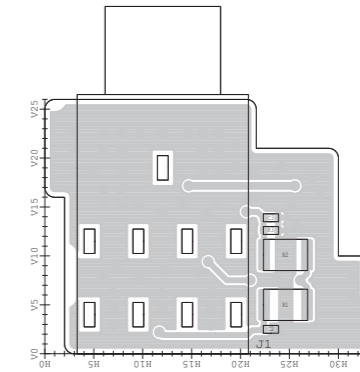
F:	FRONT UNIT
C:	CHASSIS
M:	MAIN UNIT
L:	LOGIC UNIT
MC:	MIC BOARD
PA:	PA UNIT
RF:	RF UNIT
FIL:	FILTER UNIT
VA:	VR-A BOARD
VB:	VR-B BOARD
PH:	PHONE BOARD

The combination of this side and the bottom side shows the board layout in the same configuration as the actual P.C.Board.

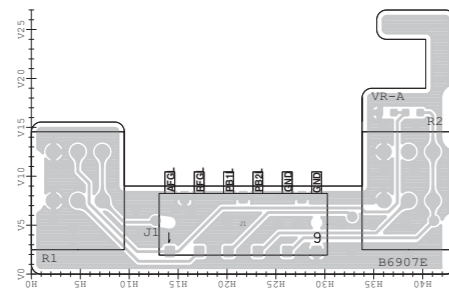
• LOGIC UNIT  
(TOP VIEW)



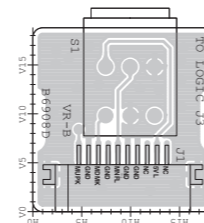
• PHONE UNIT  
(TOP VIEW)



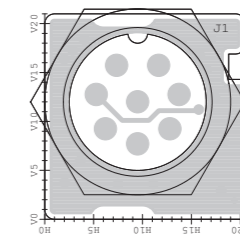
• VR-A UNIT  
(TOP VIEW)



• VR-B UNIT  
(TOP VIEW)

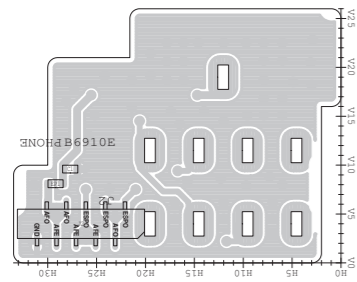


• MIC UNIT  
(TOP VIEW)

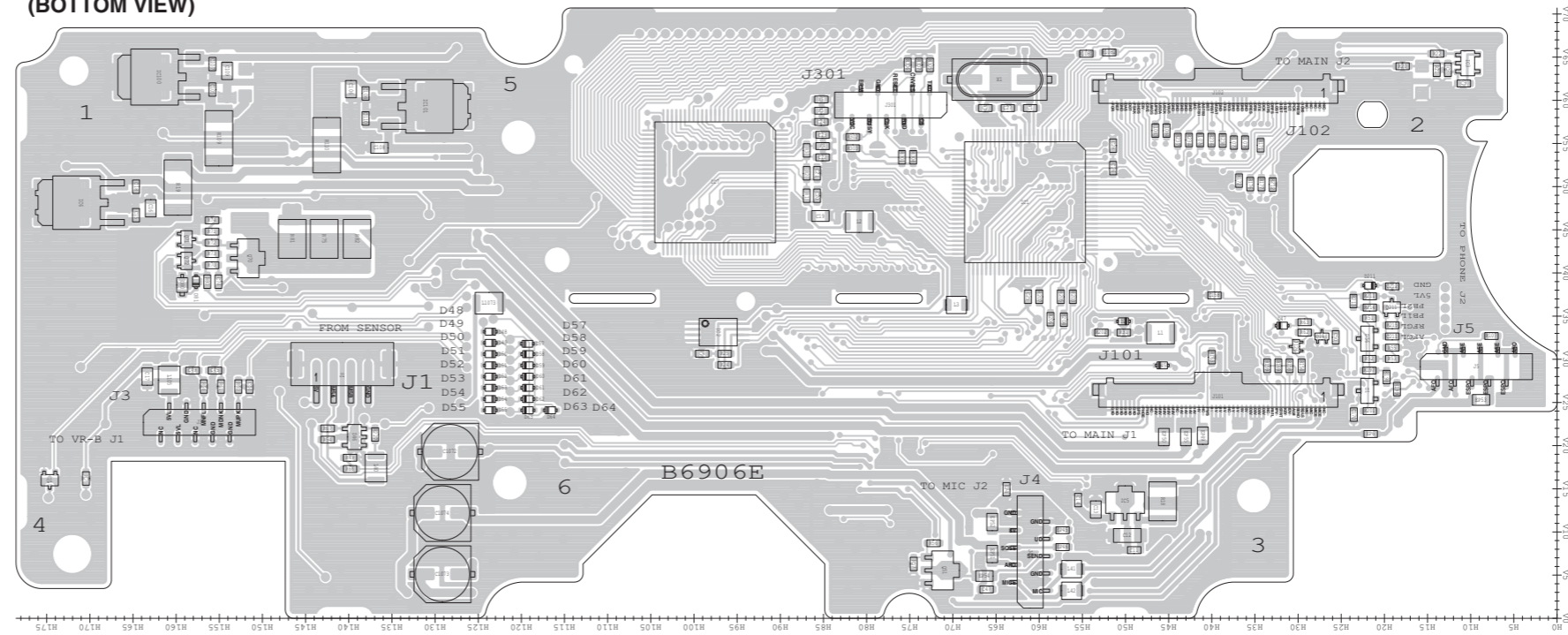


The combination of this side and the bottom side shows the board layout in the same configuration as the actual P.C.Board.

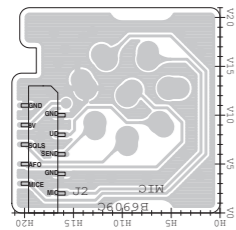
• PHONE UNIT  
(BOTTOM VIEW)



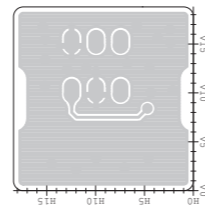
• LOGIC UNIT  
(BOTTOM VIEW)



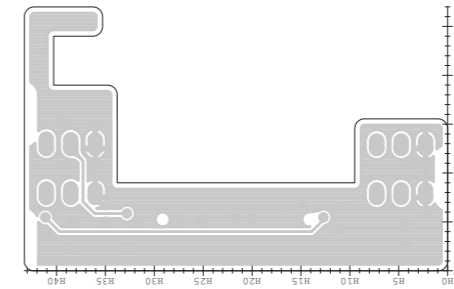
• MIC UNIT  
(BOTTOM VIEW)



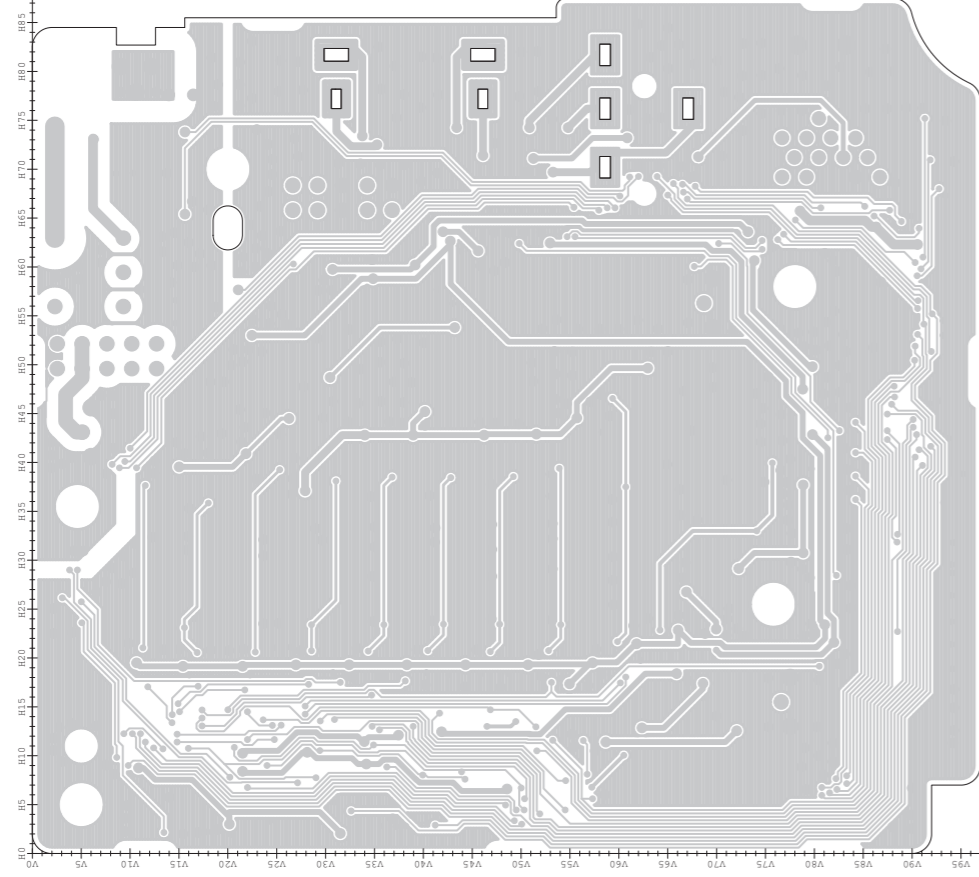
• VR-B UNIT  
(BOTTOM VIEW)



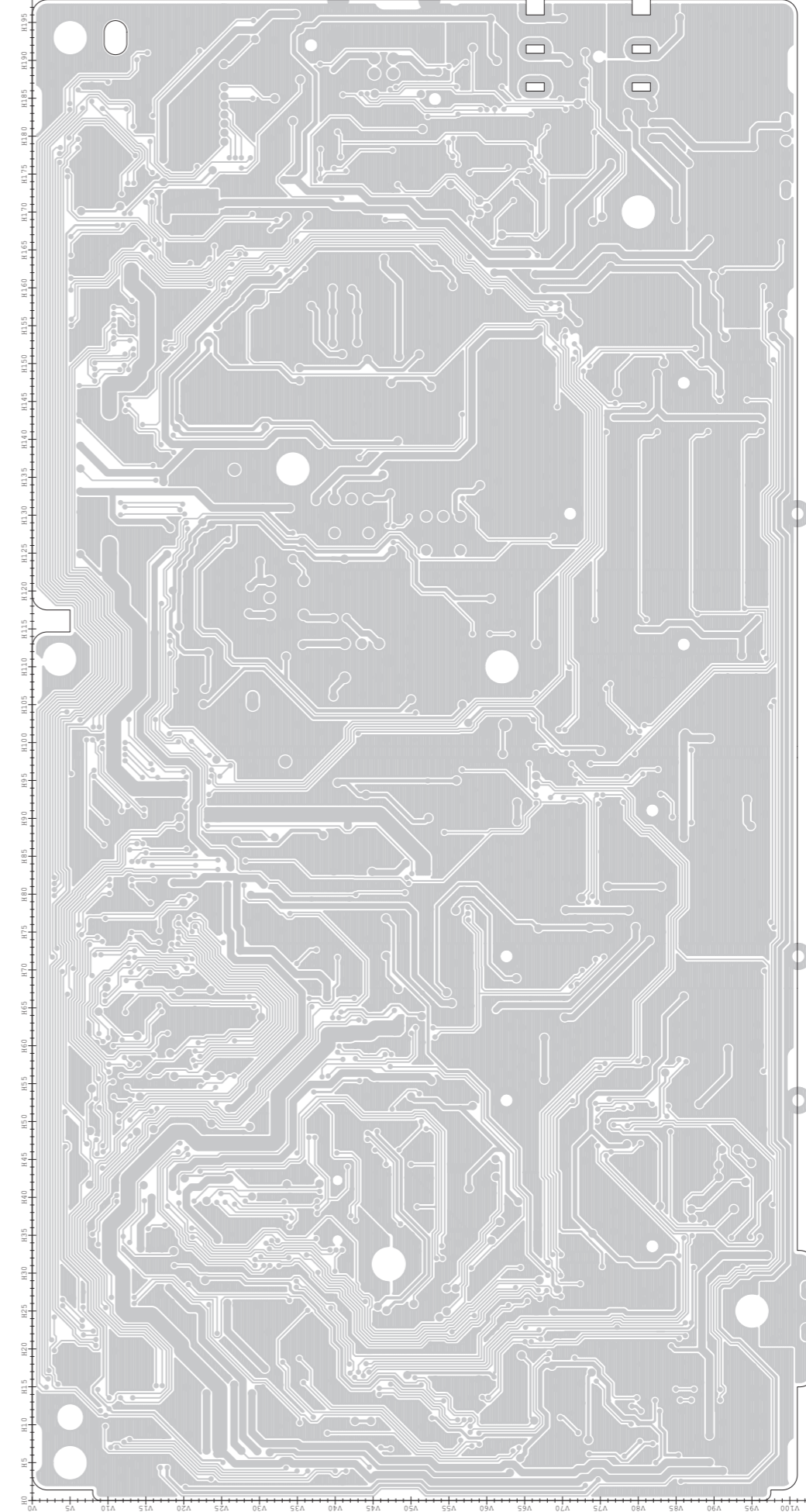
• VR-A UNIT  
(BOTTOM VIEW)



• RF UNIT  
(TOP VIEW)

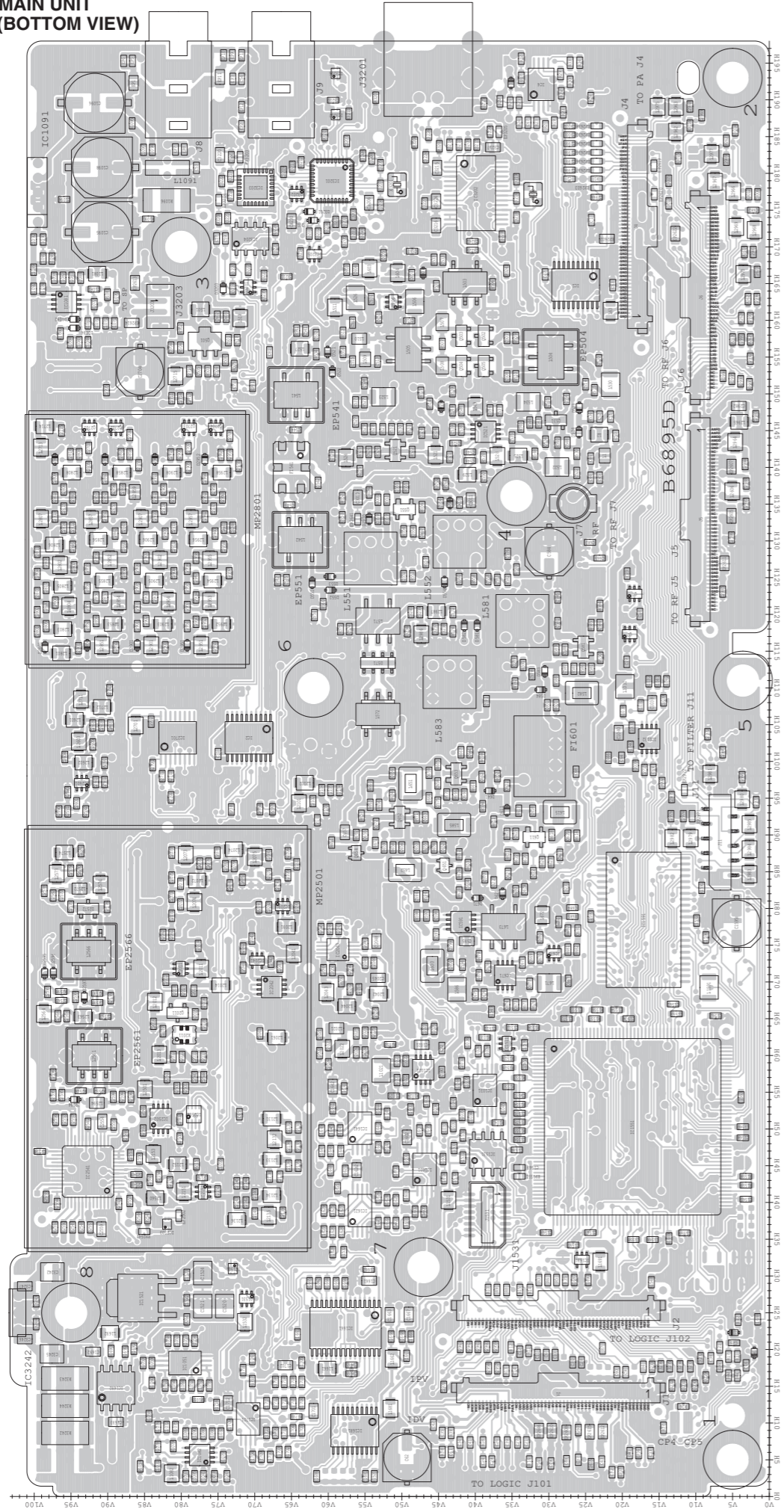


• MAIN UNIT  
(TOP VIEW)



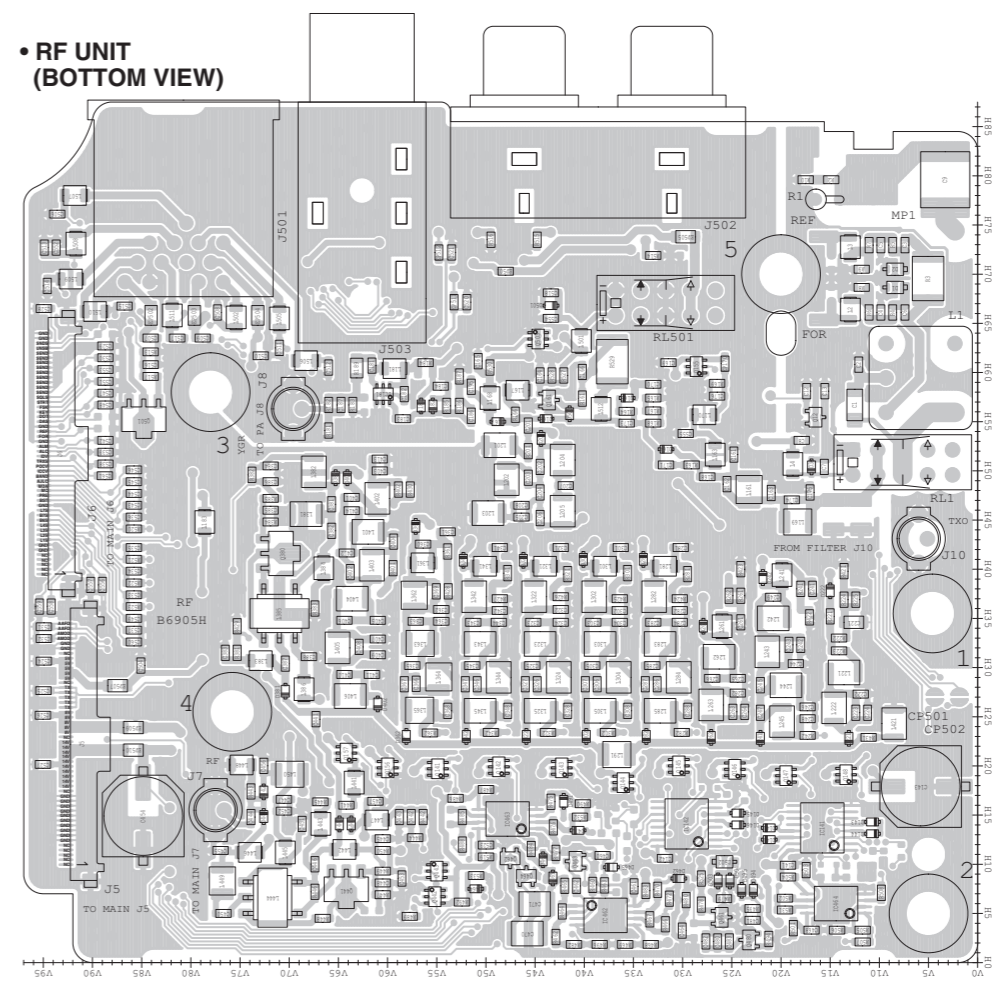
The combination of this side and the bottom side shows the board layout in the same configuration as the actual P.C.Board.

• MAIN UNIT  
(BOTTOM VIEW)



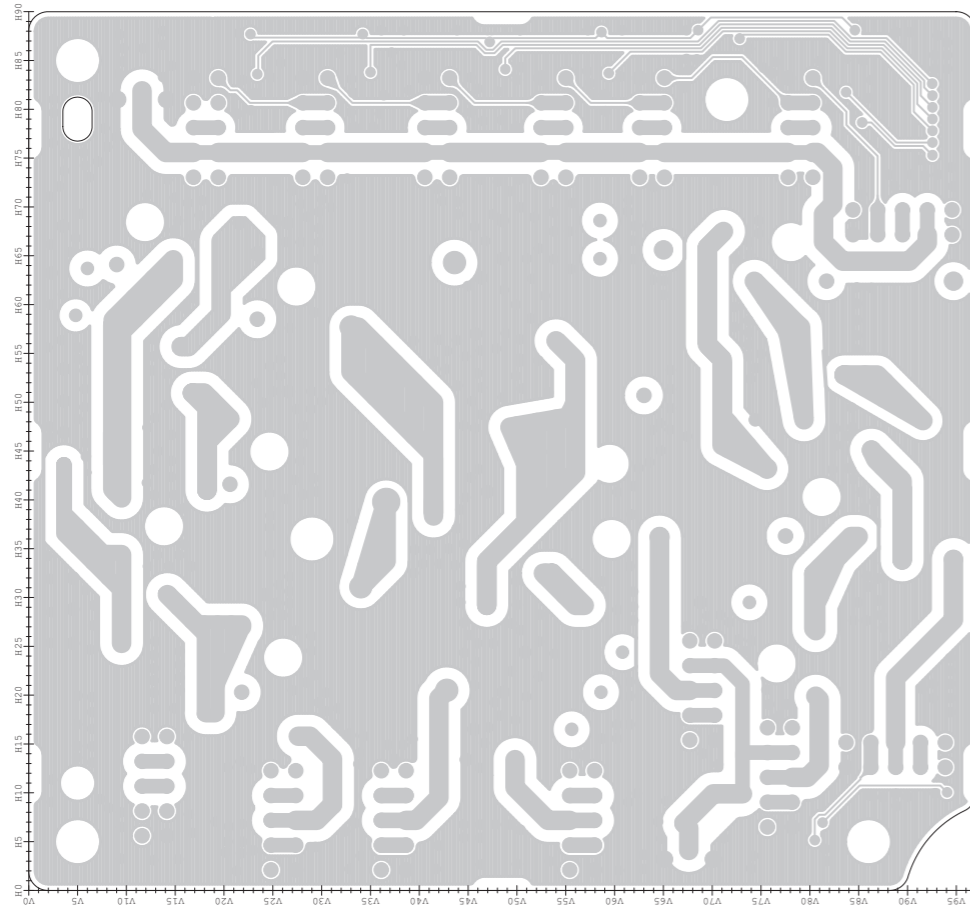
The combination of this side and the bottom side shows the board layout in the same configuration as the actual P.C.Board.

• RF UNIT  
(BOTTOM VIEW)

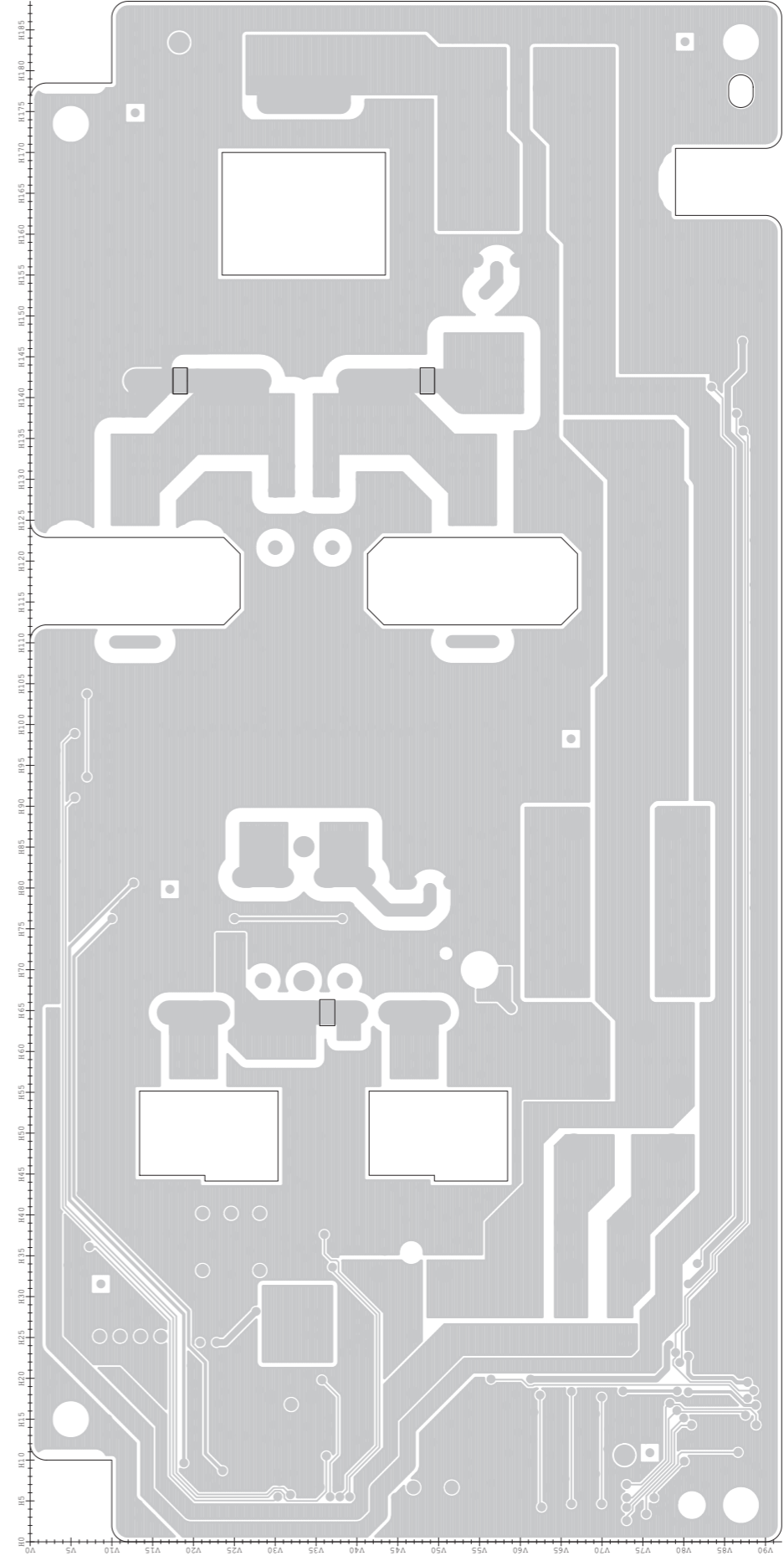


The combination of this side and the bottom side shows the board layout in the same configuration as the actual P.C.Board.

• FILTER UNIT  
(TOP VIEW)

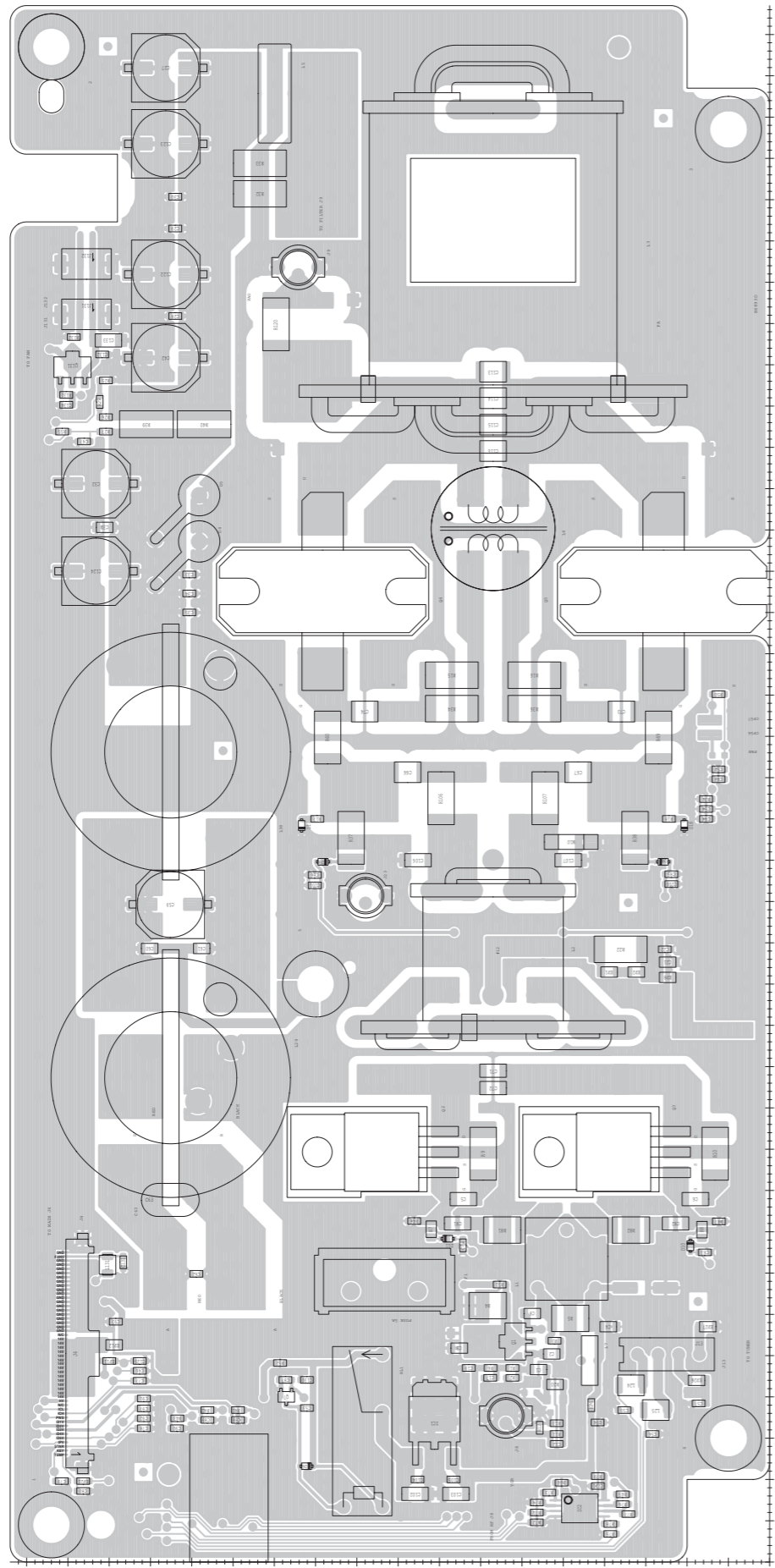


• PA UNIT  
(TOP VIEW)

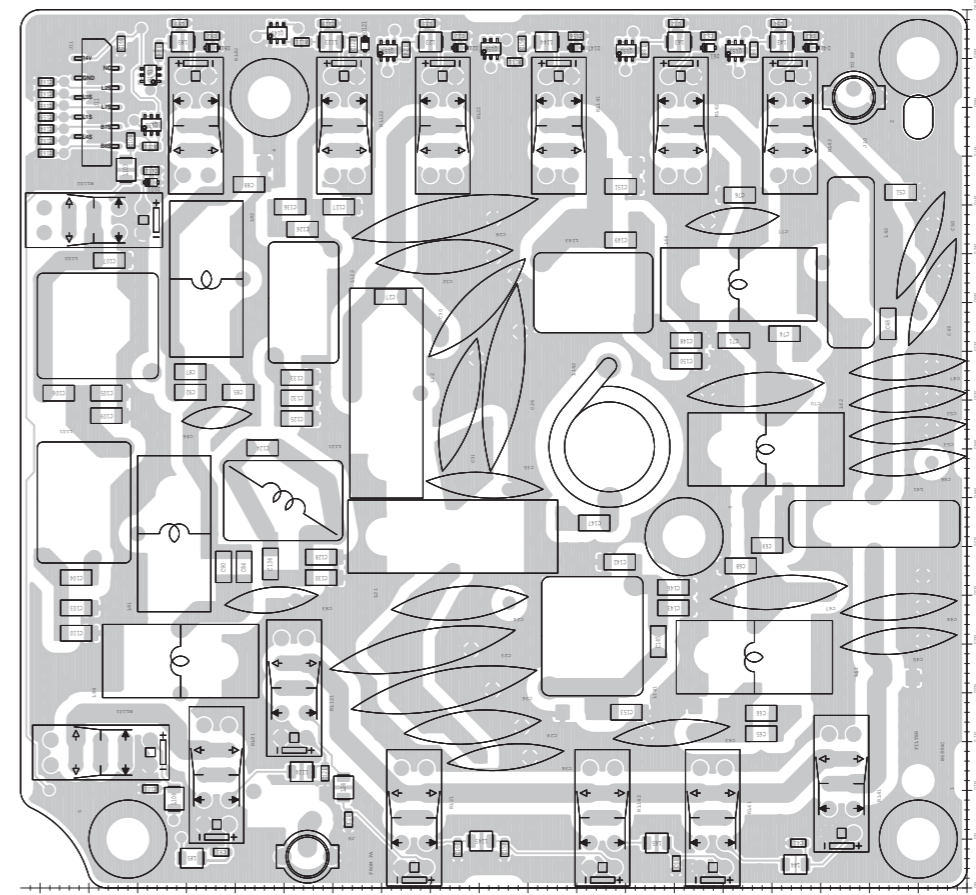


The combination of this side and the bottom side shows the board layout in the same configuration as the actual P.C.Board.

• PA UNIT  
(BOTTOM VIEW)

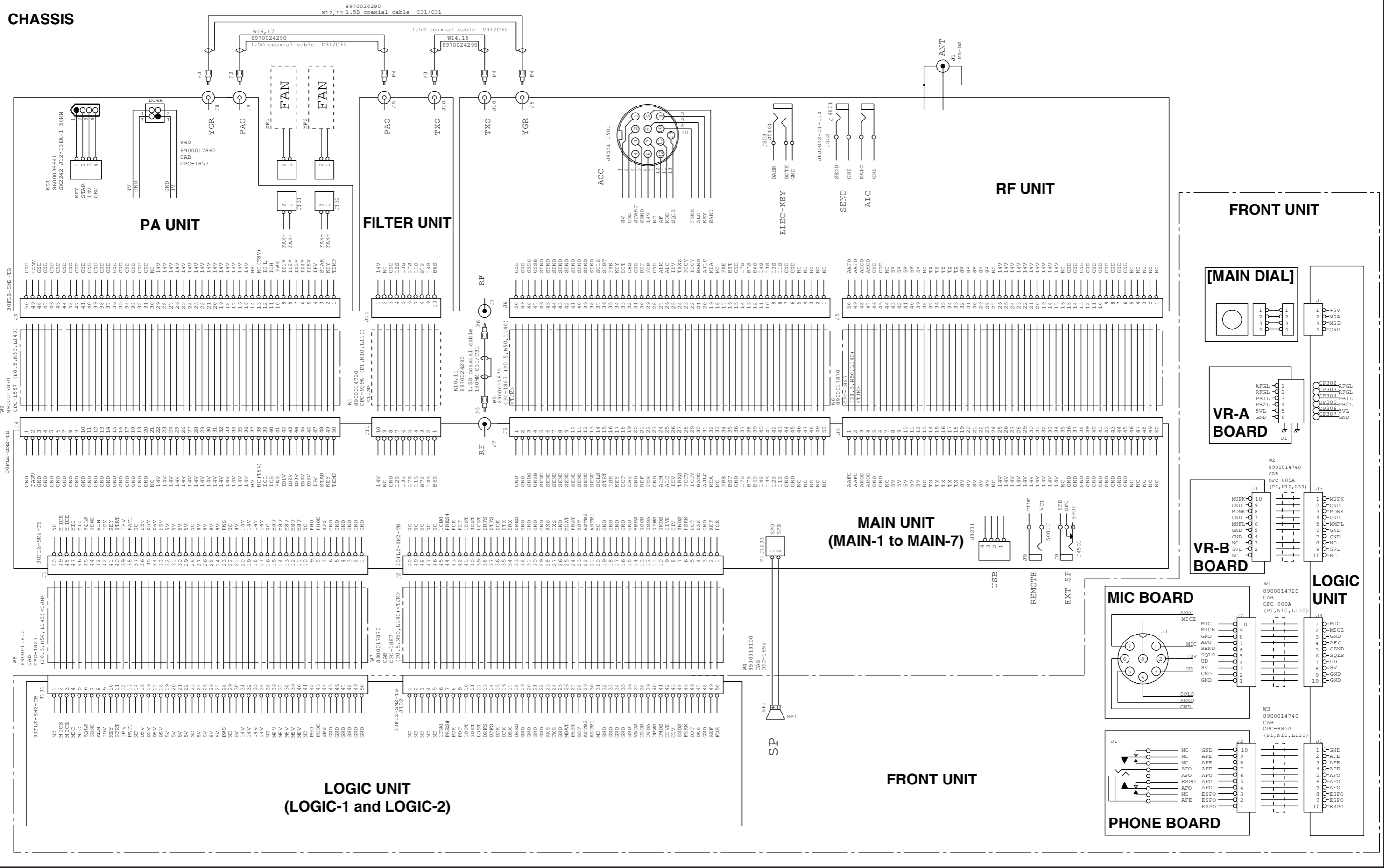


• FILTER UNIT  
(BOTTOM VIEW)



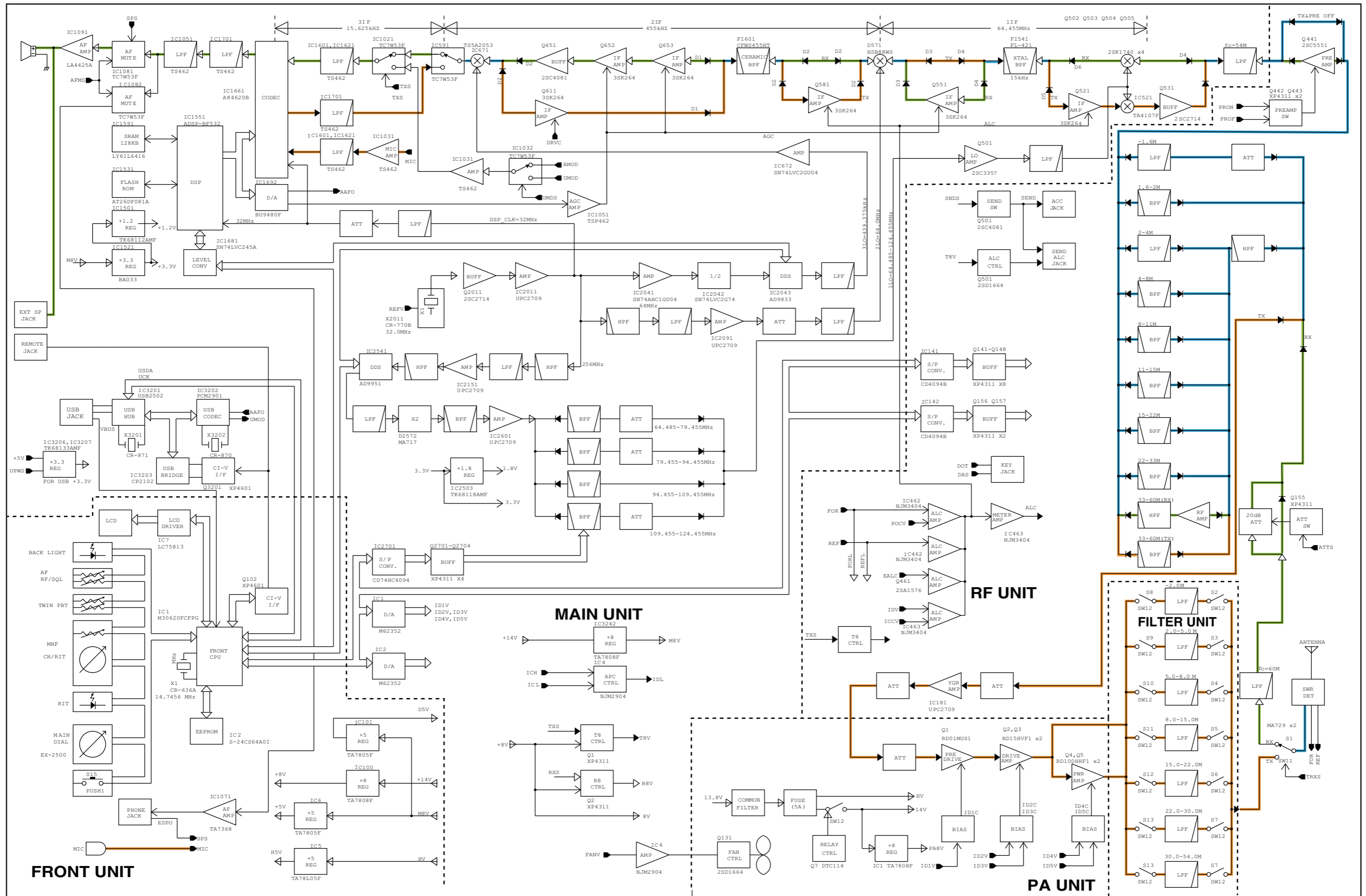


CHASSIS



# SECTION 9

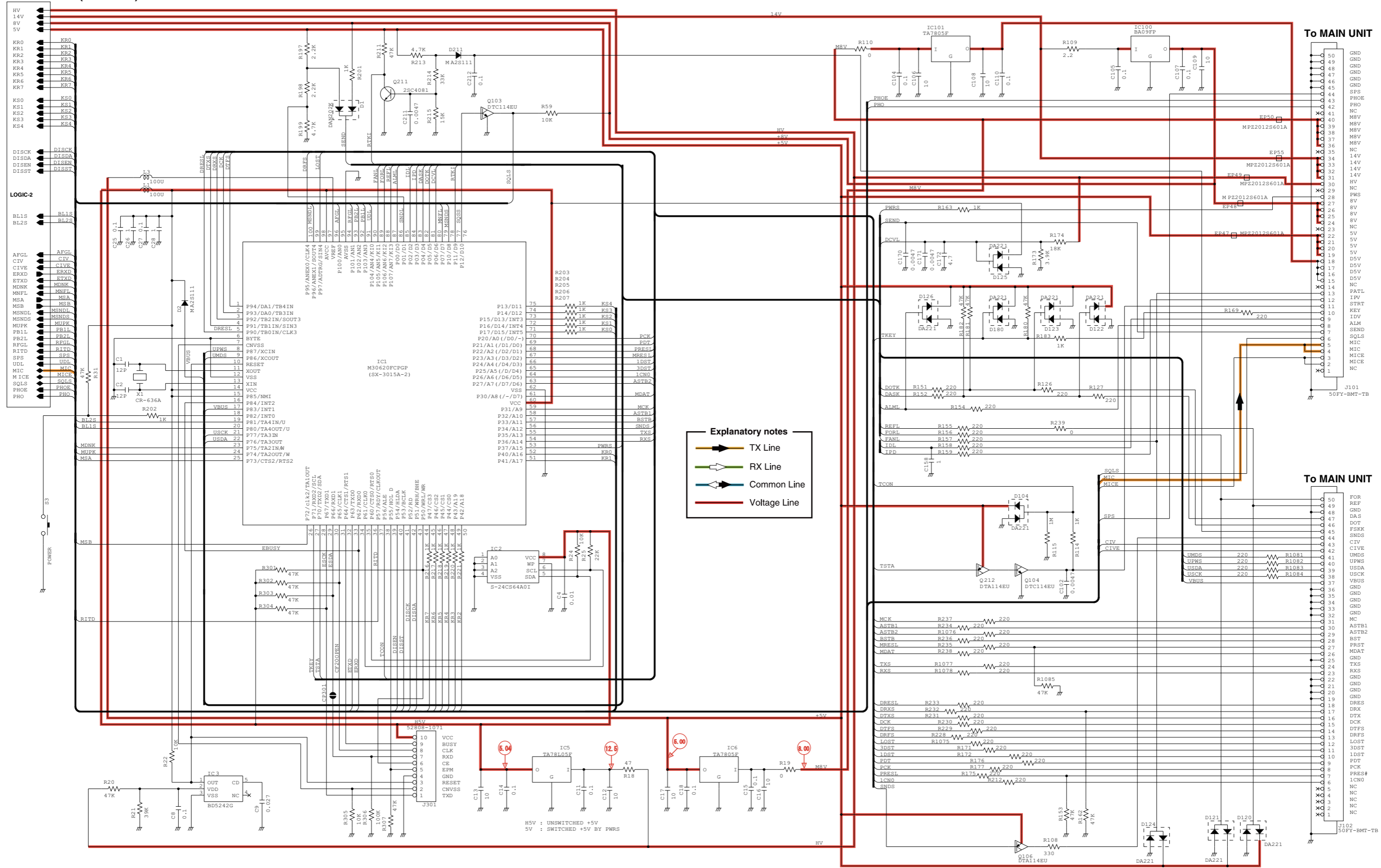
# BLOCK DIAGRAM



# SECTION 10

# VOLTAGE DIAGRAM

## • LOGIC UNIT (LOGIC-1)

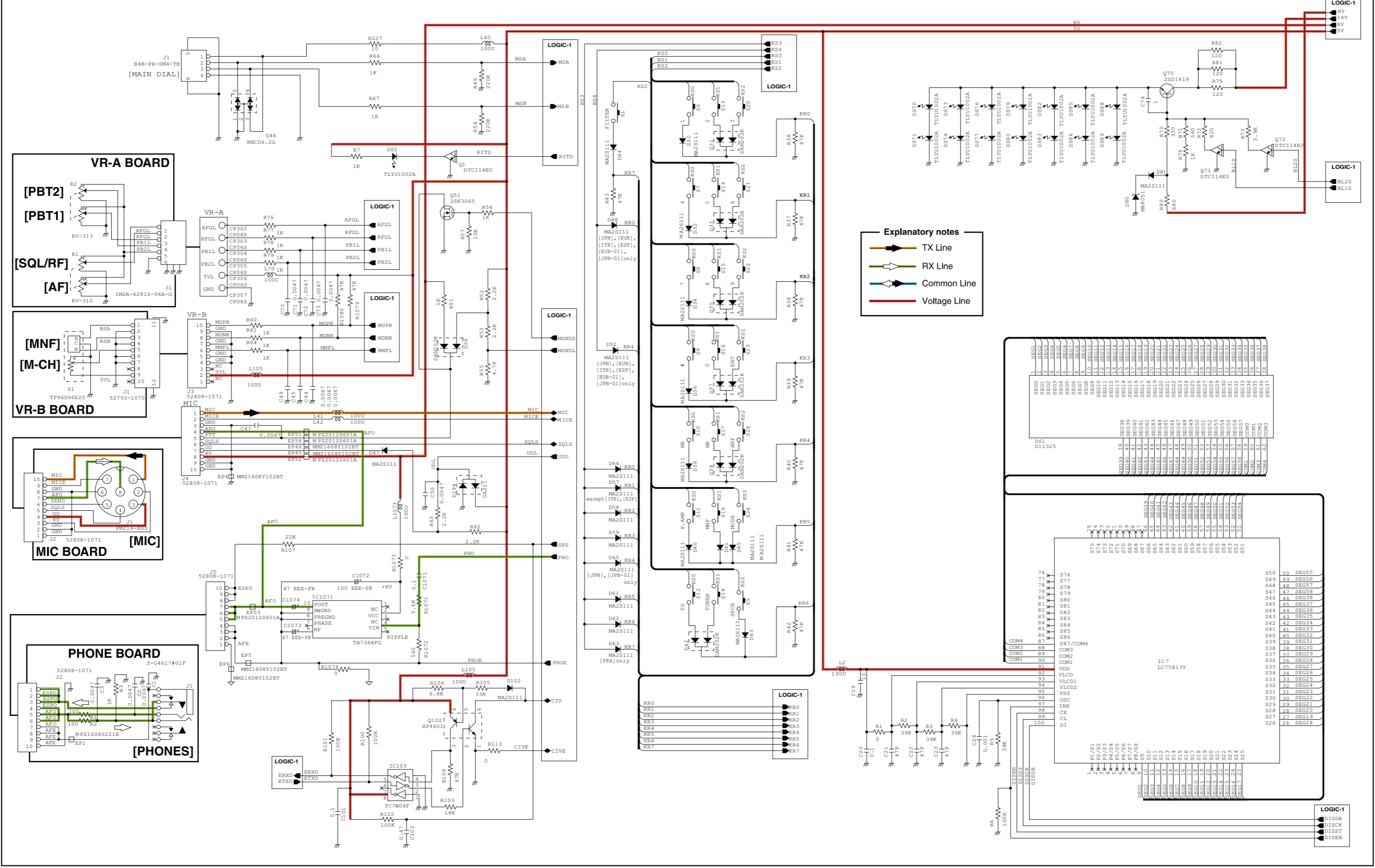


**Explanatory notes**

- TX Line
- RX Line
- Common Line
- Voltage Line

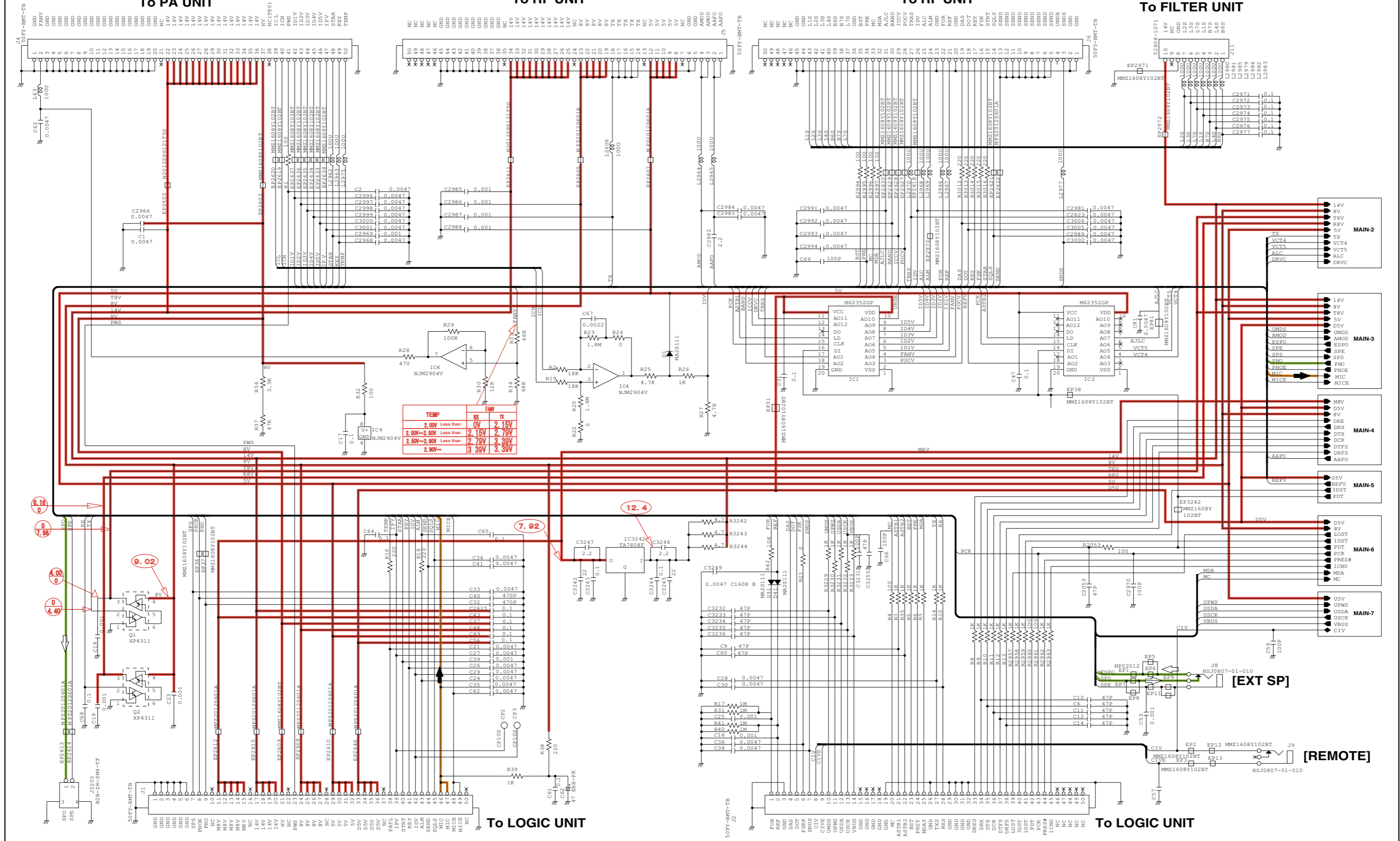
\*; Refer to "PARTS LIST."

• LOGIC UNIT (LOGIC-2)



\*; Refer to "PARTS LIST"

• MAIN UNIT (MAIN-1)



To PA UNIT

To RF UNIT

To RF UNIT

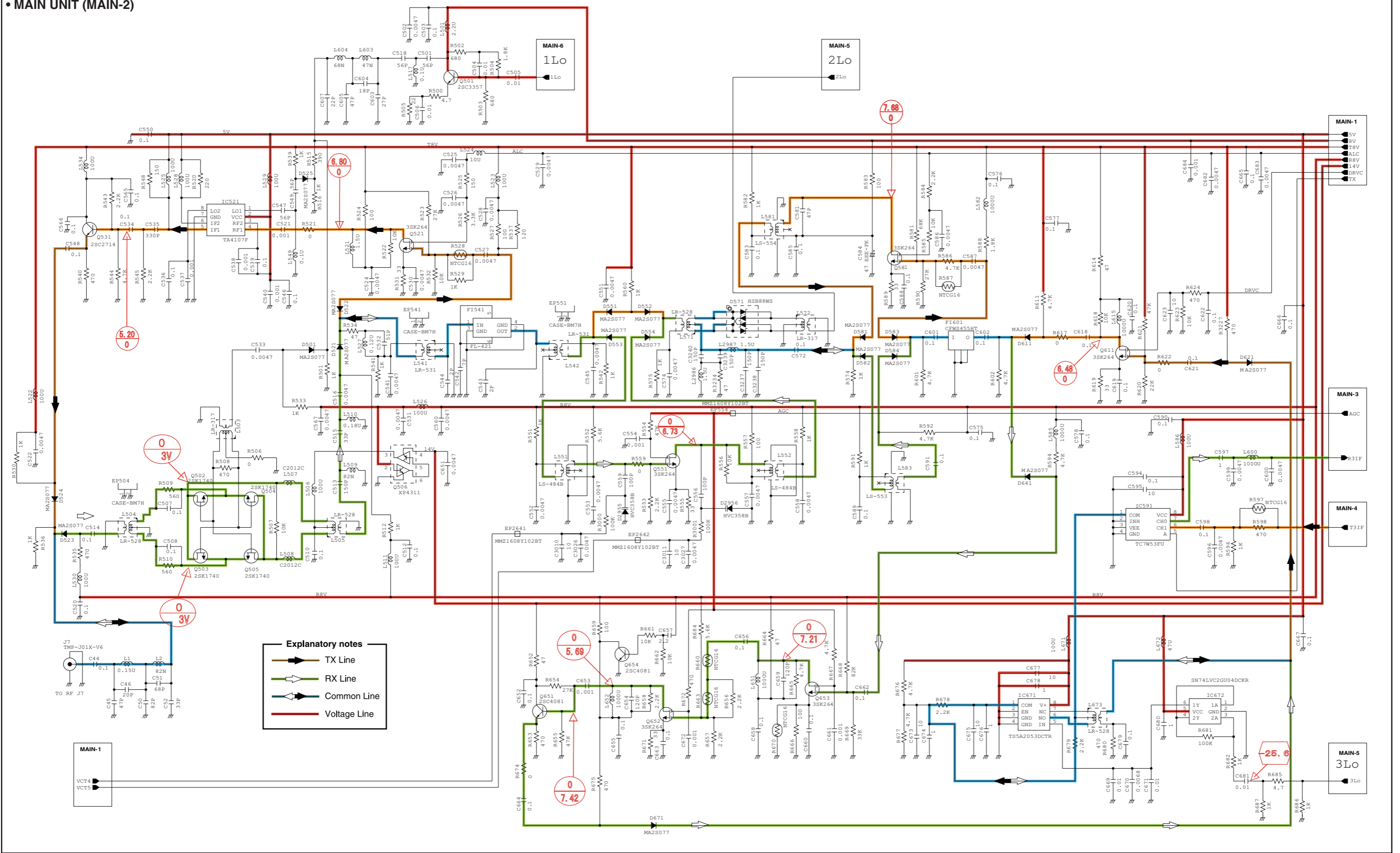
To FILTER UNIT

To LOGIC UNIT

To LOGIC UNIT

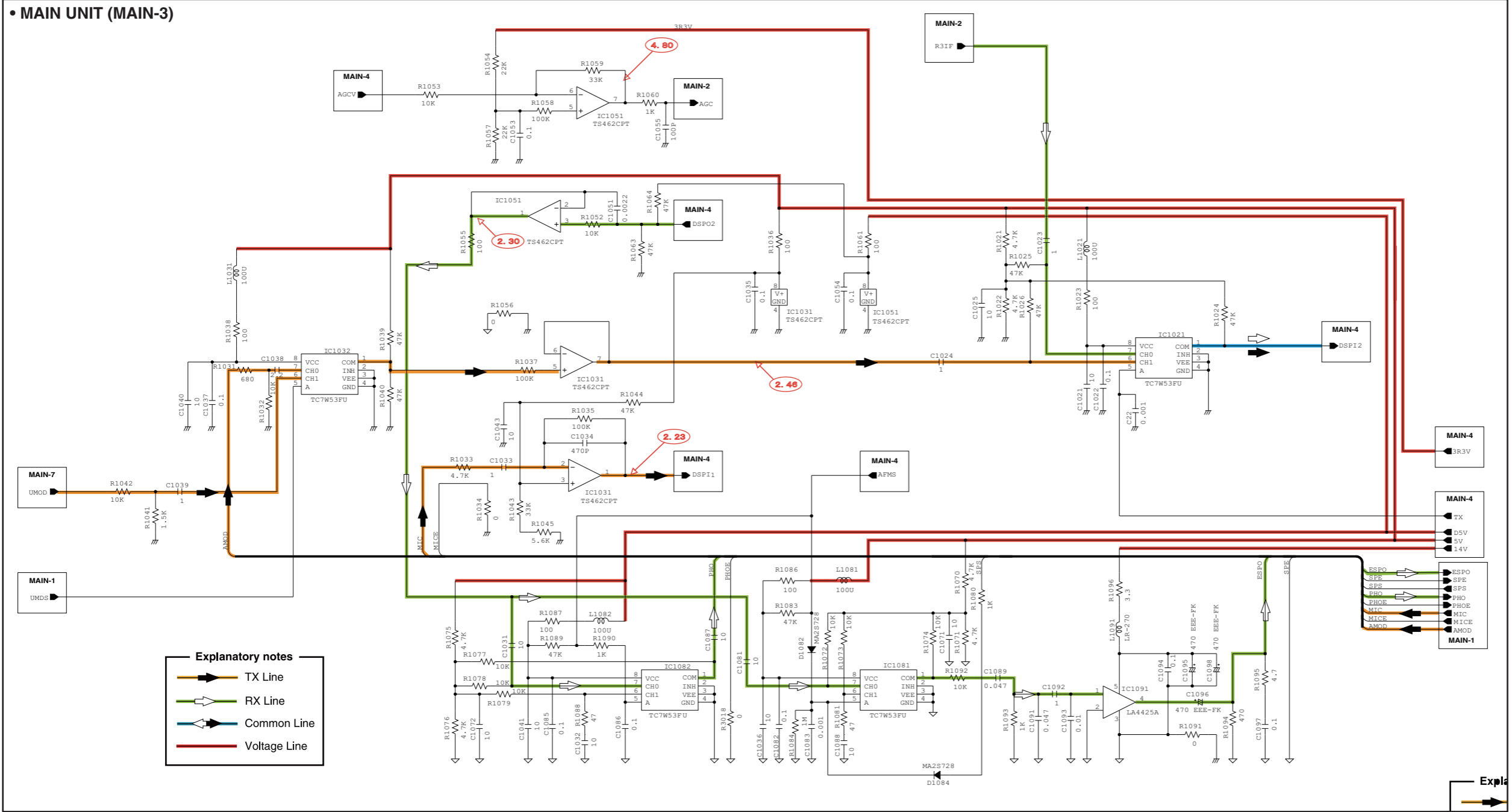
\*; Refer to "PARTS LIST."

• MAIN UNIT (MAIN-2)



\*; Refer to "PARTS LIST."

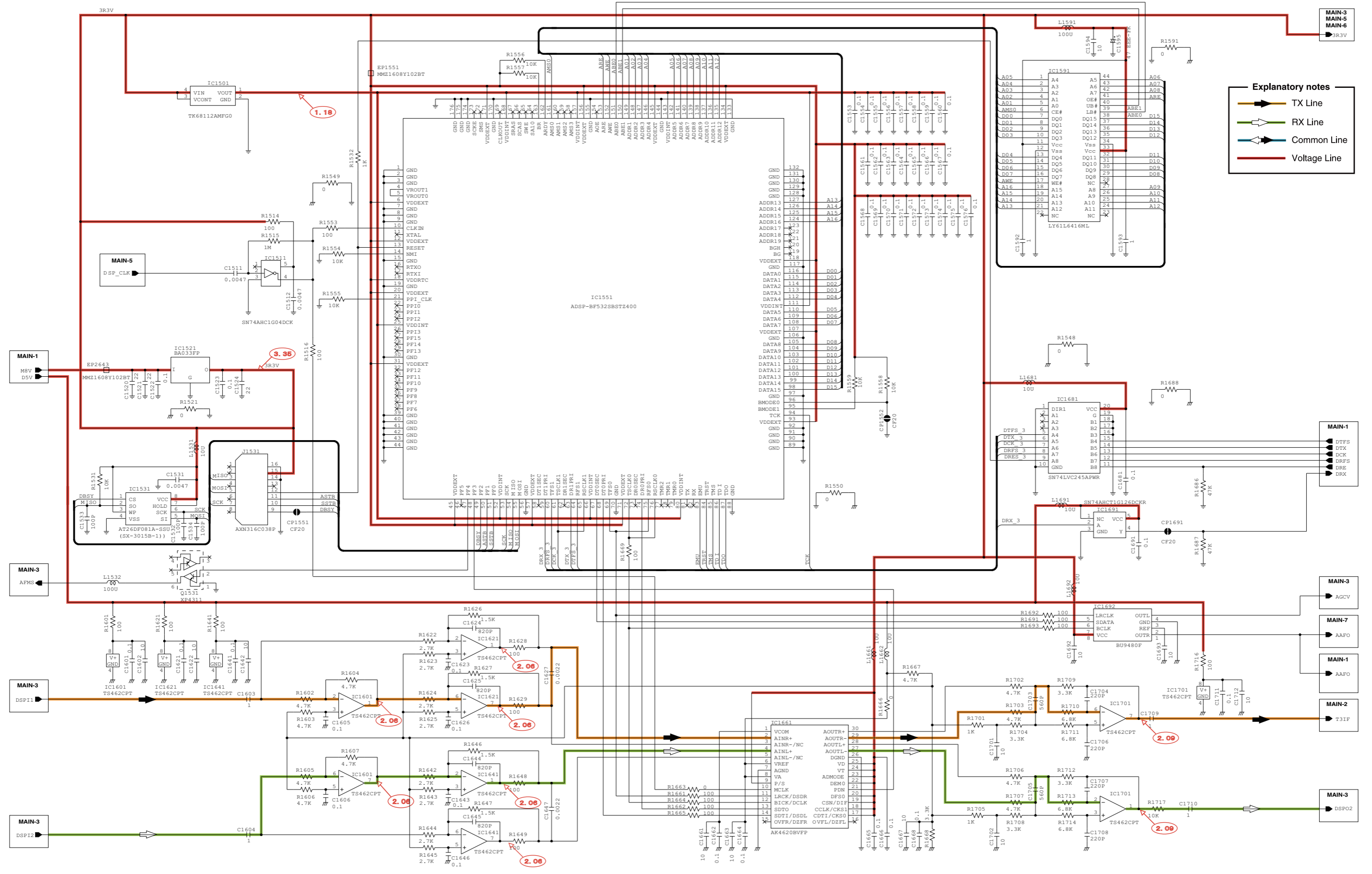
• MAIN UNIT (MAIN-3)



- Explanatory notes**
- TX Line
  - RX Line
  - Common Line
  - Voltage Line

\*; Refer to "PARTS LIST."

• MAIN UNIT (MAIN-4)



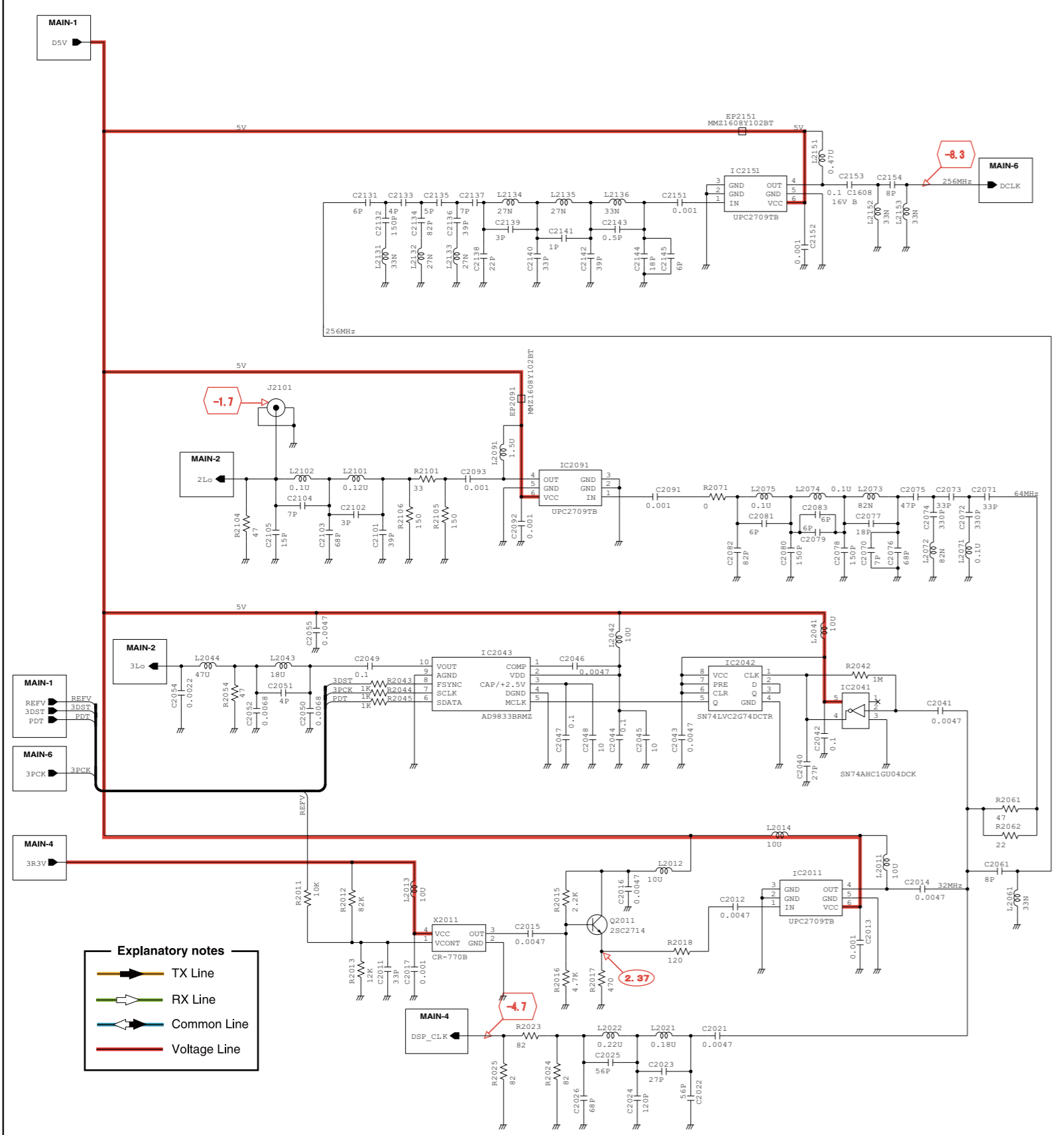
**Explanatory notes**

- TX Line
- RX Line
- Common Line
- Voltage Line

\*; Refer to "PARTS LIST."

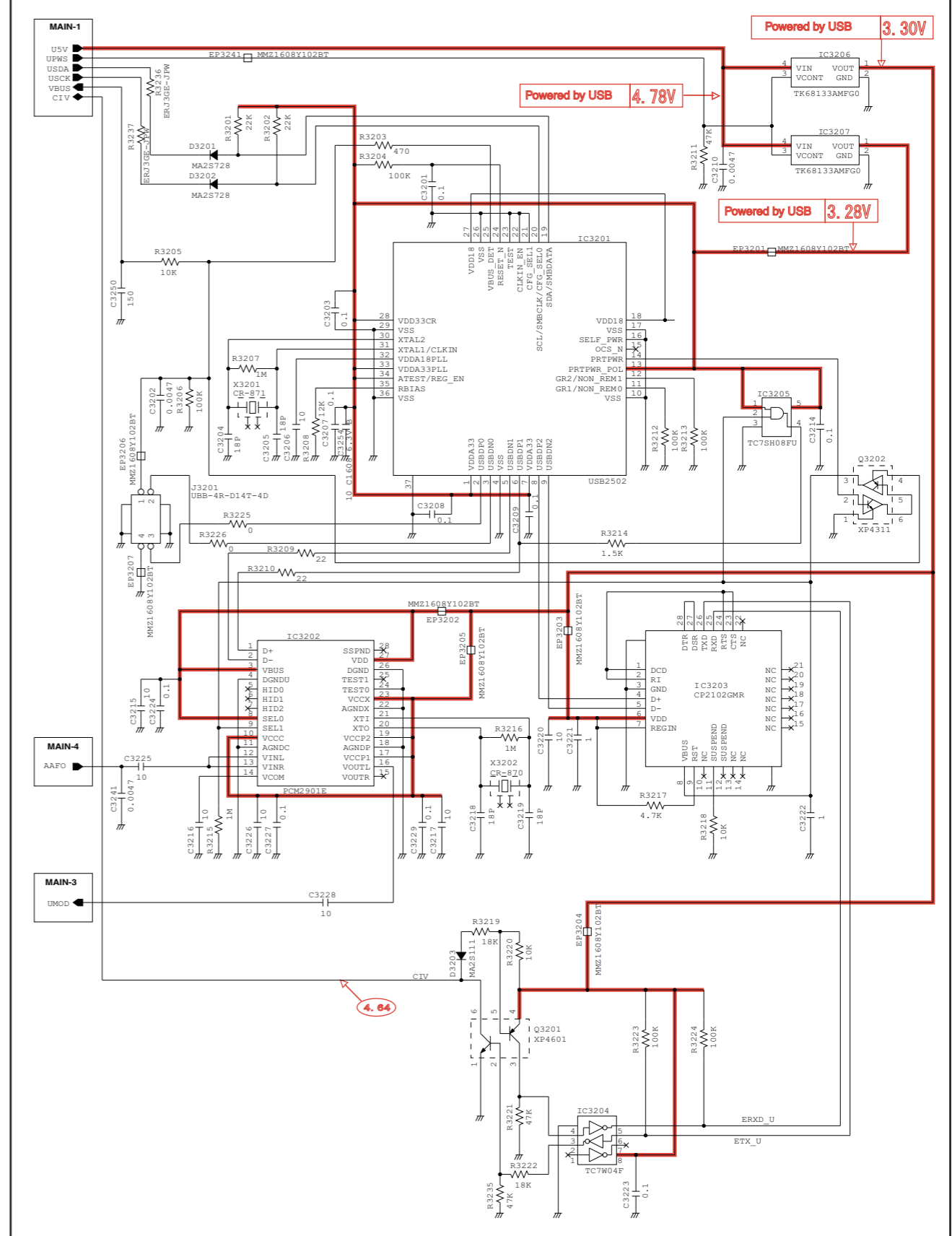


• MAIN UNIT (MAIN-5)



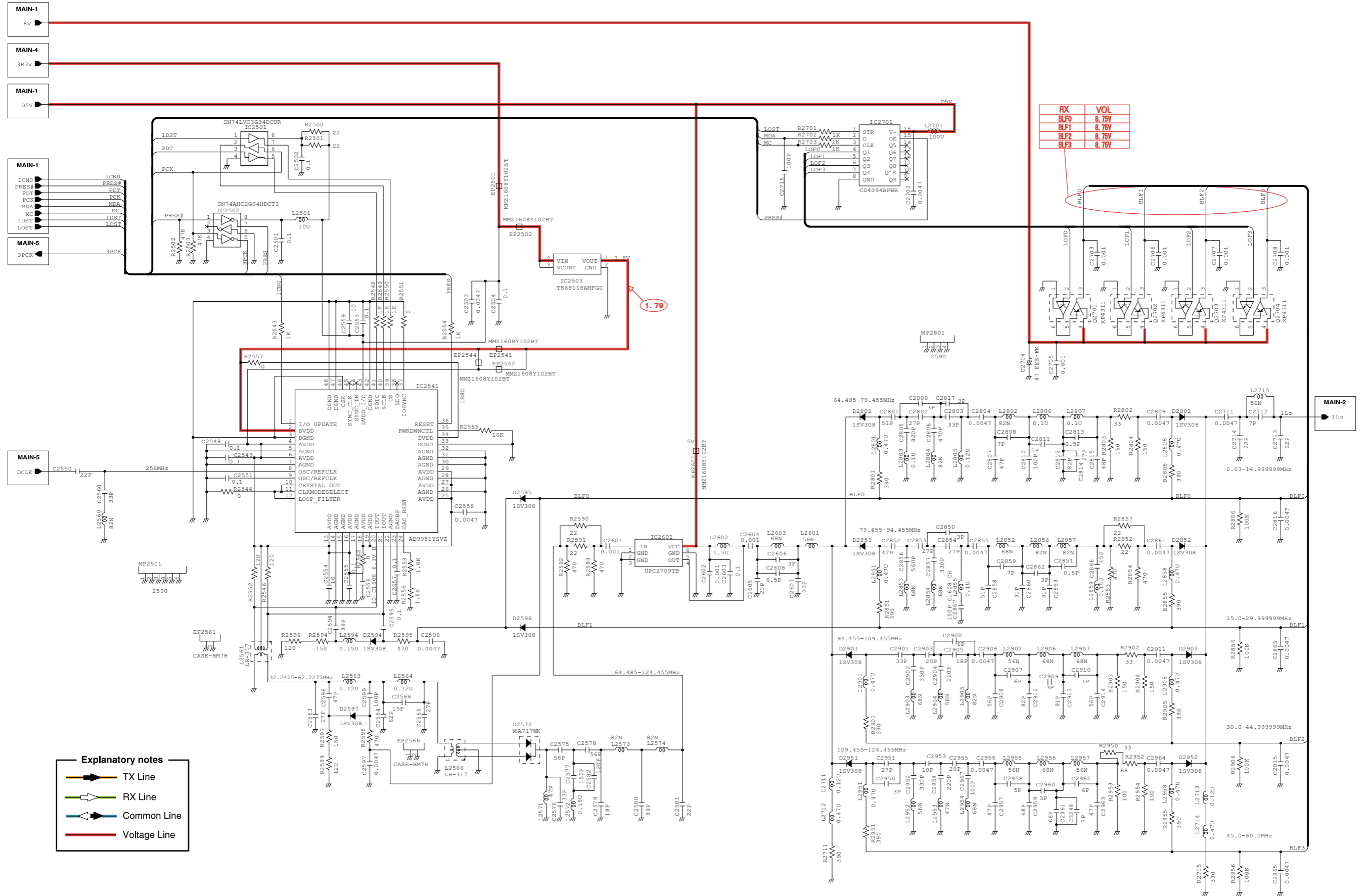
- Explanatory notes**
- TX Line
  - RX Line
  - Common Line
  - Voltage Line

• MAIN UNIT (MAIN-6)



\*; Refer to "PARTS LIST."

• MAIN UNIT (MAIN-7)



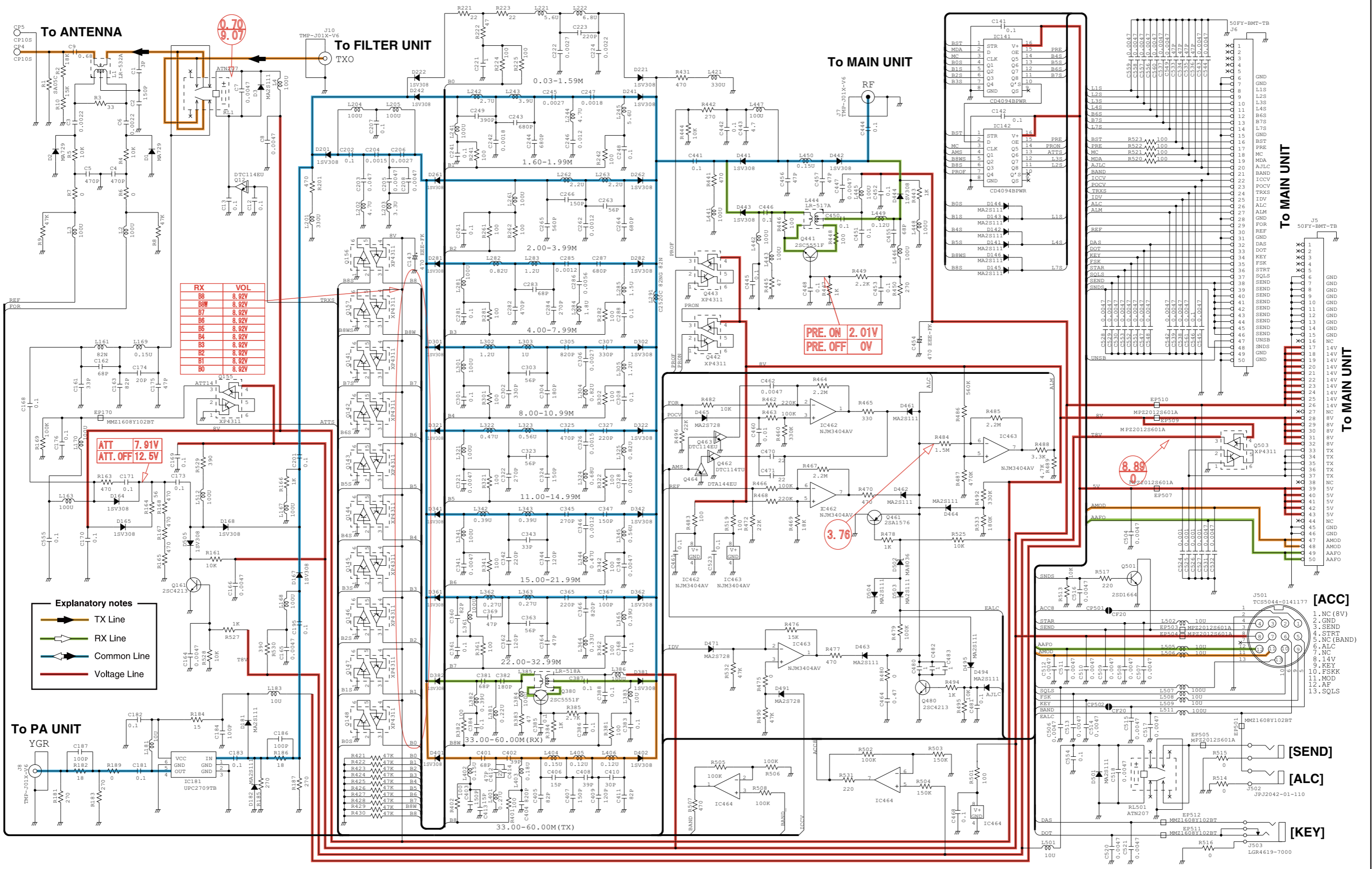
RX	VOL
BLF0	8.75V
BLF1	8.75V
BLF2	8.75V
BLF3	8.75V

**Explanatory notes**

- ▶ TX Line
- ▶ RX Line
- ▶ Common Line
- ▶ Voltage Line

\*; Refer to "PARTS LIST."

• RF UNIT



RX	VOL
B9	8.02V
B8	8.02V
B7	8.02V
B6	8.02V
B5	8.02V
B4	8.02V
B3	8.02V
B2	8.02V
B1	8.02V
B0	8.02V

**Explanatory notes**

- TX Line
- RX Line
- Common Line
- Voltage Line

[ACC]

1	NC (8V)
2	SEND
3	SEND
4	STRT
5	NC (BAND)
6	ALC
7	NC
8	14V
9	KEY
10	FSKK
11	MOD
12	AF
13	SQLS

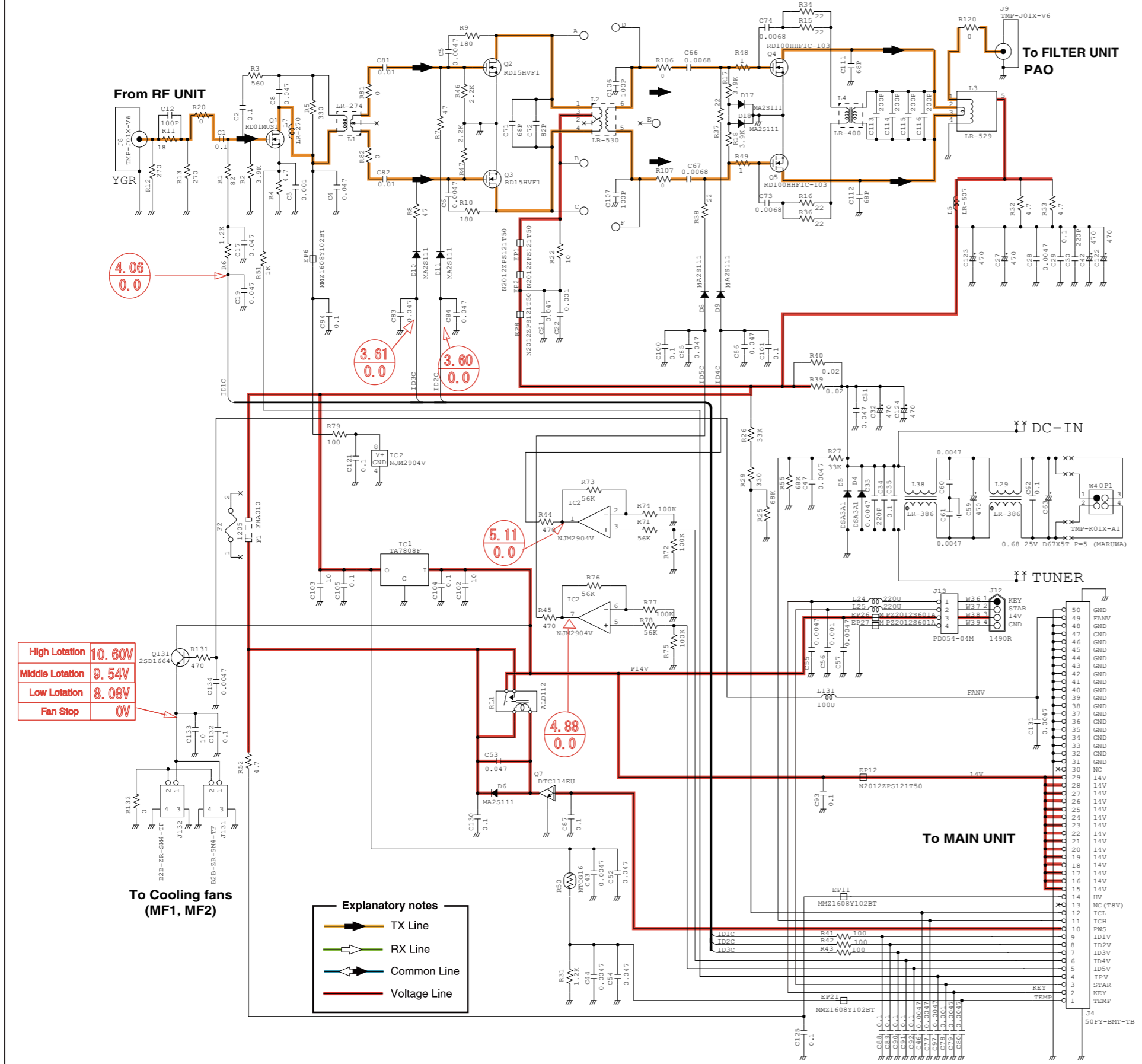
[SEND]

[ALC]

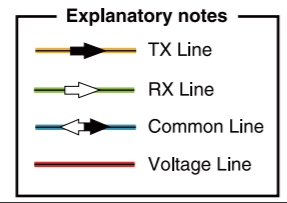
[KEY]

\*; Refer to "PARTS LIST."

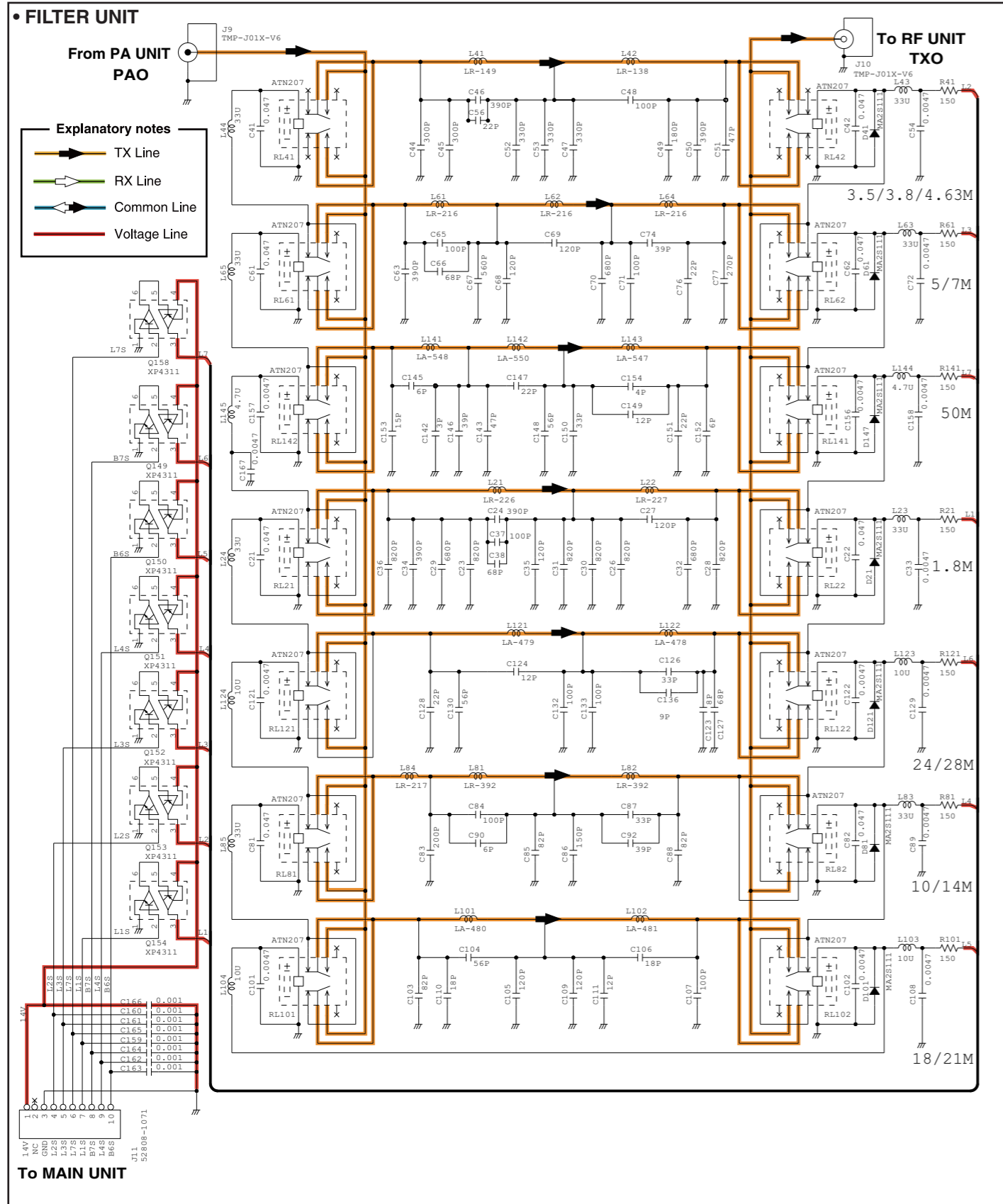
• PA UNIT



High Lotation	10.60V
Middle Lotation	9.54V
Low Lotation	8.08V
Fan Stop	0V



\*; Refer to "PARTS LIST."



\*; Refer to "PARTS LIST."

## Icom Inc.

1-1-32, Kamiminami, Hirano-ku, Osaka 547-0003, Japan  
Phone : +81 (06) 6793 5302  
Fax : +81 (06) 6793 0013  
URL : <http://www.icom.co.jp/world/index.html>

### Icom America Inc.

<Corporate Headquarters>  
2380 116th Avenue N.E., Bellevue, WA 98004, U.S.A.  
Phone : +1 (425) 454-8155 Fax : +1 (425) 454-1509  
URL : <http://www.icomamerica.com>  
E-mail : [sales@icomamerica.com](mailto:sales@icomamerica.com)  
<Customer Service>  
Phone : +1 (425) 454-7619

### Icom Canada

Glenwood Centre #150-6165  
Highway 17 Delta, B.C., V4K 5B8, Canada  
Phone : +1 (604) 952-4266 Fax : +1 (604) 952-0090  
URL : <http://www.icomcanada.com>  
E-mail : [info@icomcanada.com](mailto:info@icomcanada.com)

### Icom (Australia) Pty. Ltd.

Unit 1 / 103 Garden Road, Clayton VIC 3168 Australia  
Phone : +61 (03) 9549-7500 Fax : +61 (03) 9549-7505  
URL : <http://www.icom.net.au>  
E-mail : [sales@icom.net.au](mailto:sales@icom.net.au)

### Icom New Zealand

146A Harris Road, East Tamaki,  
Auckland, New Zealand  
Phone : +64 (09) 274 4062 Fax : +64 (09) 274 4708  
URL : <http://www.icom.co.nz>  
E-mail : [inquiries@icom.co.nz](mailto:inquiries@icom.co.nz)

### Beijing Icom Ltd.

10C07, Long silver Mansion, No.88, Yong Ding  
Road, Haidian District, Beijing, 100039, China  
Phone : +86 (010) 5889 5391/5392/5393  
Fax : +86 (010) 5889 5395  
E-mail : [bjicom@bjicom.com](mailto:bjicom@bjicom.com)  
URL : <http://www.bjicom.com>

### Icom (Europe) GmbH

Communication Equipment  
Himmelgeister Str. 100, D-40225 Düsseldorf, Germany  
Phone : +49 (0211) 346047 Fax : +49 (0211) 333639  
URL : <http://www.icomeurope.com>  
E-mail : [info@icomeurope.com](mailto:info@icomeurope.com)

### Icom Spain S.L

Ctra. Rubi, No. 88 Bajos A 08174, Sant Cugat del Valles, Barcelona, Spain  
Phone : +34 (93) 590 26 70 Fax : +34 (93) 589 04 46  
URL : <http://www.icomspain.com>  
E-mail : [icom@icomspain.com](mailto:icom@icomspain.com)

### Icom (UK) Ltd.

Unit 9, Sea St., Herne Bay, Kent, CT6 8LD, U.K.  
Phone : +44 (01227) 741741 Fax : +44 (01227) 741742  
URL : <http://www.icomuk.co.uk>  
E-mail : [info@icomuk.co.uk](mailto:info@icomuk.co.uk)

### Icom France s.a.s.

Zac de la Plaine  
1 Rue Brindejonc des Moulinais BP 5804  
31505 Toulouse Cedex, France  
Phone : +33 (5) 61 36 03 03 Fax : +33 (5) 61 36 03 00  
URL : <http://www.icom-france.com>  
E-mail : [icom@icom-france.com](mailto:icom@icom-france.com)

### Asia Icom Inc.

6F No.68, Sec. 1 Cheng-Teh Road, Taipei, Taiwan, R.O.C.  
Phone : +886 (02) 2559 1899 Fax : +886 (02) 2559 1874  
URL : <http://www.asia-icom.com>  
E-mail : [sales@asia-icom.com](mailto:sales@asia-icom.com)

### Icom Polska

81-850 Sopot, ul. 3 Maja 54, Poland  
Phone : +48 (58) 550 7135 Fax : +48 (58) 551 0484  
E-mail : [icompolska@icompolska.com.pl](mailto:icompolska@icompolska.com.pl)

**Count on us!**

**Icom Inc.**

1-1-32, Kamiminami, Hirano-ku, Osaka 547-0003, Japan

S-14513XZ-C1  
© 2008 Icom Inc.